

Process displays

LED process displays	Standard signals with Min / Max value detection (DC)	Codix 529
-----------------------------	---	------------------



Cost-effective standard signal display for front panel mount with scalable bright 5-digit LED display.

The 14 bit resolution ensures an accurate measuring value display range with minimum and maximum value detection.



DC 10 ... 30 V Power supply	 mA, V Display scaling	 14 bit Resolution	 Menu-driven programming	 AC/DC Galvanic isolation	 - 10° + 50° Temperature range	 IP65 High protection level	 min / max Min / Max value detection	 DIN 48 x 24 DIN front bezel	 5 LED LED display
--	------------------------------	--------------------------	-----------------------------	---------------------------------	--------------------------------------	-----------------------------------	--	------------------------------------	--------------------------

Product features

- Input range:
1 current measuring input, 1 voltage measuring input.
- Compact display for standard signals.
- Display range -19 999 ... 99 999 with leading zeros suppression.
- Modern industrial design.

Benefits

- Galvanic isolation with protection against incorrect polarity.
- Autom. Min / Max value detection.
- Freely programmable characteristic curve end points.
- Input for display hold.

Order no.

Display for analog signals with Min / Max value detection

6.529.012.300 ¹⁾

Delivery specification

- Digital display
- Mounting clip
- Gasket
- Front bezel for screw mounting (T008181) 56 x 40 mm [2.20 x 1.57"], panel cut-out 50 x 25 mm [1.97 x 0.98"]
- Front bezel for clip mounting (T008180) 53 x 28 mm [2.09 x 1.10"], panel cut-out 50 x 25 mm [1.97 x 0.98"]
- 1 set of self-adhesive symbols
- Instruction manual, multilingual

1) Stock types.

Process displays

LED process displays Standard signals with Min/Max value detection (DC) Codix 529

Accessories	Dimensions in mm [inch]	Order no.
Adapter front bezel, 72 x 36 [2.83 x 1.42]	for cut-out 68 x 33 [2.68 x 1.30] to cut-out 45 x 22.2 [1.77 x 0.87], for counters 48 x 24 [1.89 x 0.94], as set black and silver anodized	162704 Set
Adapter front bezel, 48 x 48 [1.89 x 1.89]	for cut-out 45 x 45 [1.77 x 1.77] to cut-out 45 x 22.2 [1.77 x 0.87], with clip mounting for counters 48 x 24 [1.89 x 0.94] black	T008883
Adapter front bezel, 60 x 50 [2.36 x 1.97]	for cut-out 54 x 29 [2.13 x 1.14] to cut-out 45 x 22.2 [1.77 x 0.87], with screw mounting and gasket for counters 48 x 24 [1.89 x 0.94] black	N003001
Transparent cover, lockable, IP65	for cut-out 54 x 29 [2.13 x 1.14], for screw mounting to front bezel F1B or adapter front bezel N003001, for counters with cut-out 50 x 25 [1.97 x 0.98] or 45 x 22.2 [1.77 x 0.87]	N003002
Sealing cover type K1, IP65	suitable for front bezel 60 x 50 [2.36 x 1.97], for screw mounting of electromech. counters and via adapter front bezel N003001 for counters 48 x 24 [1.89 x 0.94]	G008301
Mounting frame with cut-out 50 x 25 [2.36 x 1.97] via separate adapter also for 45 x 22.2 [1.77 x 0.87]	for snap-on mounting on 35 [1.38] top-hat DIN rail, for counters 53 x 28 [2.09 x 1.10] and via separate adapter (T008180) for counters 48 x 24 [1.89 x 0.94] chromated	G300004

Suitable gaskets, other accessories and installation examples for optional accessories can be found in chapter accessories or in the accessories section under: www.kuebler.com/accessories.

Technical data

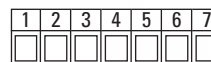
General technical data	
Display	5 digits, red 7 segment LED display; 8 mm [0.32"] high
Measuring rate	2 measurements/second
Data backup	EEPROM
Operating temperature	-10°C ... +50°C [+14°F ... +122°F] (non-condensing)

Electrical characteristics	
Power supply	10 ... 30 V DC, galvanically isolated with integrated reverse polarity protection
Current consumption	max. 50 mA
EMC standards	EN 55011 class B EN 61000-6-2, EN 61000-6-3 EN 61326-1
UL approval	file E128604

Mechanical characteristics	
Housing	front panel mount 48x24 mm [1.89 x 0.94"] acc. to DIN 43700; RAL 7021, dark grey
Protection	IP65 (front side)
Weight	approx. 50 g [1.76 oz]
Vibration resistance acc. to EN 60068-2-6	10 ... 55 Hz / 1 mm [0.04"] / 30 min
Shock resistance acc. to EN 60068-2-27	100 G: 2 ms 10 G: 6 ms
Connections	screw terminal, pitch 5.08 mm [2"], 7 pin

Inputs	
Input current measurement	0 ... 20 mA, 4 ... 20 mA
Voltage drop	max 1.5 V DC
Input voltage measurement	0 ... 10 V, 2 ... 10 V input resistance approx. 1 MΩ max. input signal level 30 V DC
Control inputs	HIGH 4 ... 30 V DC Display hold LOW 0 ... 2 V DC
Resolution	14 bit
Accuracy	< 0.1 % for the whole measuring range at an operating temperature of 20°C [68°F]
Temperature drift	< 70 ppm/K _{Ambient}

Terminal assignment



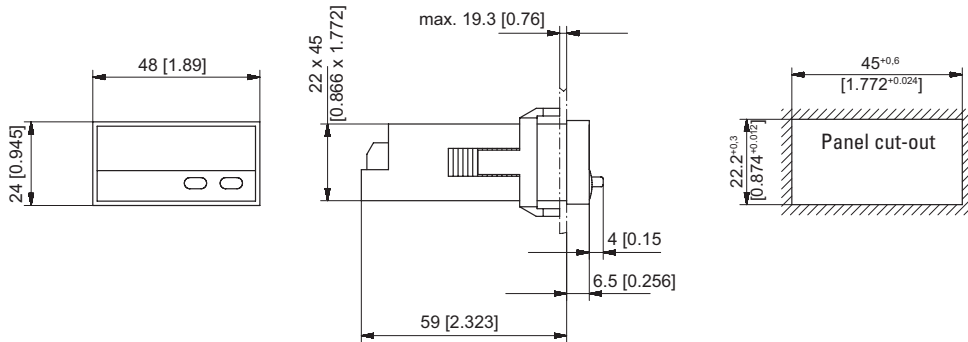
PIN	
1	10 ... 30 V DC
2	GND
3	GND
4	Latch
5	0 (4) ... 20 mA
6	Analog GND
7	0 (2) ... 10 V DC

Process displays

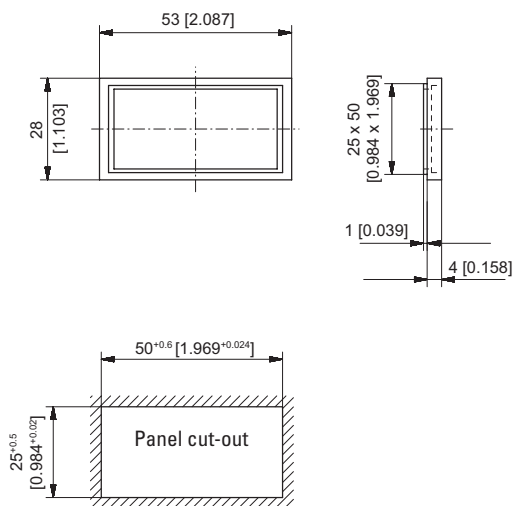
LED process displays **Standard signals with Min/Max value detection (DC)** **Codix 529**

Dimensions

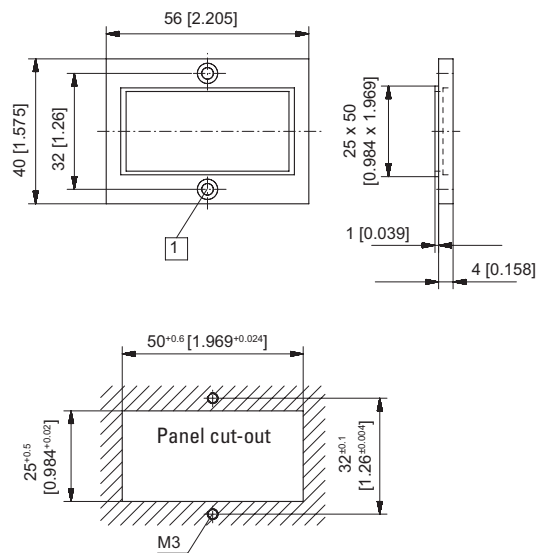
Dimensions in mm [inch]



Front bezel for clip mounting (included in delivery)



Front bezel for screw mounting (included in delivery)



1 Countersinking Af3, DIN 74