

Incremental encoders

Large hollow shaft robust, optical	A02H (hollow shaft)	Push-pull / RS422 / SinCos
---	----------------------------	-----------------------------------



The Heavy Duty incremental encoder type A02H boasts a high degree of ruggedness in a very compact design.

Its special construction makes it perfect for all applications in very harsh environments.



High rotational speed



High protection level



High shaft load capacity



Shock / vibration resistant



Magnetic field proof



Optical sensor

Heavy Duty - robust

- Special shaft connection with interlocked bearings.
- Balanced stainless steel clamping ring.
- Optional isolation inserts available to protect against shaft currents.

Compact and versatile

- Only 49 mm installation depth.
- With cable connections, M12, M23, Sub-D or MIL connectors.
- With push-pull, RS422 or SinCos interface.

Order code Hollow shaft

8.A02H.XXXX.XXXX
Type a b c d e

a Flange

- 1 = without mounting aid
- 2 = with spring element, short
- 3 = with spring element, long
- 5 = with torque stop, long

6 = with torque stop, short ¹⁾

b Through hollow shaft

- C = \varnothing 20 mm [0.79"]
- 6 = \varnothing 24 mm [0.94"]
- 5 = \varnothing 25 mm [0.98"]
- 3 = \varnothing 28 mm [1.10"]
- A = \varnothing 30 mm [1.18"]
- H = \varnothing 35 mm [1.38"]
- 2 = \varnothing 38 mm [1.50"]
- B = \varnothing 40 mm [1.57"]
- 1 = \varnothing 42 mm [1.65"]
- 4 = \varnothing 1"

D = \varnothing 1/2" ¹⁾

E = \varnothing 5/8" ¹⁾

F = \varnothing 3/4" ¹⁾

G = \varnothing 1 1/8" ¹⁾

N = \varnothing 1 1/4" ¹⁾

c Output circuit (with inverted signal) / supply voltage

- 1 = RS422 / 5 V DC
- 4 = RS422 / 10 ... 30 V DC
- 5 = Push-pull / 5 ... 30 V DC
- 3 = Push-pull / 10 ... 30 V DC
- 8 = SinCos, 1 Vpp / 5 V DC
- 9 = SinCos, 1 Vpp / 10 ... 30 V DC
- A = Push-pull (7272 compatible) / 5 ... 30 V DC

D = RS422 / 5 ... 30 V DC ¹⁾

d Type of connection

- 1 = radial cable, 1 m [3.28'] PVC
- A = radial cable, special length PVC *)
- 2 = radial M23 connector, 12-pin
- E = radial M12 connector, 8-pin
- G = Sub-D connector, male contact, 9-pin, double-row ²⁾
- R = radial M12 connector, 5-pin ⁴⁾

K = MIL connector, 7-pin ¹⁾⁴⁾

D = MIL connector, 10-pin ¹⁾

*) Available special lengths (connection type A):
2, 3, 5, 8, 10, 15 m [6.56, 9.84, 16.40, 26.25, 32.80, 49.21']
order code expansion .XXXX = length in dm
ex.: 8.A02H.111A.2048.0030 (for cable length 3 m)

e Pulse rate

- 50, 360, 512, 600, 1000, 1024, 1500, 2000, 2048, 2500, 4096, 5000 (e.g. 360 pulses => 0360)

SinCos version only available with pulses \geq 1024

Optional on request

- other pulse rates on request
- Ex 2/22 ³⁾

1) US version.

2) Protection level IP40.

3) For the cable connection type, cable material PUR.

4) Without inversion, cannot be combined with SinCos.

Incremental encoders

Large hollow shaft robust, optical	A02H (hollow shaft)	Push-pull / RS422 / SinCos
---	----------------------------	-----------------------------------

Mounting accessory for hollow shaft encoders	Dimensions in mm [inch]	Order no.
--	-------------------------	-----------

Torque pin, ø 6 mm
for flange with spring element
(flange type 2 + 3)

with fixing thread

	8.0010.4700.0003
--	-------------------------

Tether arm, flexible

	70 mm [2.76"] 100 mm [3.94"] 150 mm [5.91"]	8.0010.40S0.0000 8.0010.40T0.0000 8.0010.40U0.0000
--	--	---

Tether arm	L1	L2
70 mm [2.76"]	64 ... 74 [2.51 ... 2.91]	82 ... 92 [3.23 ... 3.62]
100 mm [3.94"]	94 ... 104 [3.70 ... 4.09]	112 ... 122 [4.41 ... 4.80]
150 mm [5.91"]	144 ... 154 [5.67 ... 6.06]	162 ... 172 [6.38 ... 6.77]

- 1 Socket screw M2.5 x 6 [0.24]
- 2 Lock washer

Torque stop, short




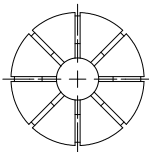
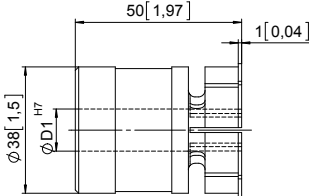
	8.0010.4T00.0000
--	-------------------------

- 1 Curved spring element
- 2 Hexagonal nut 3/8 - 16 UNC
- 3 Washer (isolating)
- 4 Hexagonal screw 3/8 16 UNC x 1"
- 5 Washer D10.4 x 15 x 15

Stator coupling

	8.0010.40V0.0000
--	-------------------------

Incremental encoders

Large hollow shaft robust, optical		A02H (hollow shaft)	Push-pull / RS422 / SinCos
Mounting accessory for hollow shaft encoders			Order no.
Protective cover 	For applications with a very high degree of pollution, Kübler now offers a protective cover for <ul style="list-style-type: none"> Improved reliability Extension of the service life of the encoder Scope of delivery: <ul style="list-style-type: none"> Protective cover Torque stop (8.0010.4T00.0000) 3 screws for fixing to the encoder 		8.0010.40Y0.0001
Tapered shaft mounting kit for A02H with hollow shaft, \varnothing 38 mm [1.50"] 	For use in upgrading for tapered shaft mounting. Tapered shafts are used for high-precision direct coupling. An isolation insert is also included in the mounting kit; this reliably protects the encoder from shaft currents. Included in the set: <ul style="list-style-type: none"> Insert for cone blind hole, cone 1:10, 17 mm [0.67"] length Isolation insert Allen screw for central fixing 		8.0010.4028.0000
Isolation insert for hollow shaft, \varnothing 38 mm [1.50"] Temperature range -40 °C ... +115 °C [-40 °F ... +239 °F]   	Isolation inserts prevent currents from passing through the encoder bearings. These currents can occur when using inverter controlled three-phase or AC vector motors and considerably shorten the service life of the encoder bearings. For more details please call our technical hotline (+49 7720 3903 952) or send us an email (info@kuebler.com)	\varnothing D1: 12 mm 14 mm 15 mm 16 mm 18 mm 20 mm 25 mm 30 mm 32 mm 1/2" 5/8" 3/4" 1" 1 1/4"	8.0010.4091.0000 8.0010.4027.0000 8.0010.4038.0000 8.0010.4019.0000 8.0010.4080.0000 8.0010.4011.0000 8.0010.4012.0000 8.0010.4016.0000 8.0010.4015.0000 8.0010.4013.0000 8.0010.4070.0000 8.0010.4090.0000 8.0010.4050.0000 8.0010.4060.0000
Isolation insert for hollow shaft, \varnothing 42 mm [1.65"]	external diameter 42 mm [1.65"] / internal diameter 38 mm [1.50"] external diameter 42 mm [1.65"] / internal diameter 12 mm [0.47"]		8.0010.4017.0000 8.0010.4029.0000
Cables and connectors			Order no.
Preassembled cables	M12 female connector with coupling nut, 8-pin, A coded, straight single-ended 2 m [6.56'] PVC cable M23 female connector with coupling nut, 12-pin, cw single-ended 2 m [6.56'] PVC cable		05.00.6041.8211.002M 8.0000.6201.0002
Connectors	M12 female connector with coupling nut, 8-pin, A coded, straight (metal) M12 female connector with coupling nut, 8-pin, A coded, straight (stainless steel V4A) M23 female connector with coupling nut, 12-pin, cw (metal)		05.CMB 8181-0 8.0000.5136.0000.V4A 8.0000.5012.0000

Further Kübler accessories can be found at: kuebler.com/accessories
 Further Kübler cables and connectors can be found at: kuebler.com/connection-technology

Incremental encoders

Large hollow shaft robust, optical	A02H (hollow shaft)	Push-pull / RS422 / SinCos
---	----------------------------	-----------------------------------

Technical data

Mechanical characteristics	
Maximum speed	6000 min ⁻¹ 1) at 60 °C [140 °F] 2500 min ⁻¹ 1)
Mass moment of inertia	< 220 x 10 ⁻⁶ kgm ² 2)
Starting torque with sealing at 20 °C [68 °F]	< 0.2 Nm
Load capacity of shaft	radial 200 N axial 100 N
Weight	approx. 0.8 kg [28.22 oz]
Protection acc. to EN 60529	IP65
Working temperature range	-40 °C 3) ... +80 °C [-40 °F 3) ... +176 °F]
Materials	shaft stainless steel, bore tolerance H7
Shock resistance acc. to EN 60068-2-27	2000 m/s ² , 6 ms
Vibration resistance acc. to EN 60068-2-6	100 m/s ² , 10 ... 2000 Hz

Approvals	
GL-approval in accordance with	letter of conformity No. 74130
UL compliant in accordance with	File no. E224618
CE compliant in accordance with	
EMC Directive	2014/30/EU
RoHS Directive	2011/65/EU
ATEX Directive	2014/34/EU (for Ex 2/22 variants)
UKCA compliant in accordance with	
EMC Regulations	S.I. 2016/1091
RoHS Regulations	S.I. 2012/3032
UKEX Regulations	S.I. 2016/1107 (for Ex 2/22 variants)

Electrical characteristics SinCos output		
Output circuit	SinCos U = 1 Vpp	SinCos U = 1 Vpp
Supply voltage	5 V DC (±5 %)	10 ... 30 V DC
Power consumption (no load)	typ. 65 mA max. 110 mA	typ. 65 mA max. 110 mA
-3 dB frequency	< 180 kHz	< 180 kHz
Signal level	channels A/B 1 Vpp (±20 %) channel 0 0.1 ... 1.2 V	1 Vpp (±20 %) 0.1 ... 1.2 V
Short circuit proof outputs 4)	yes	yes
Reverse polarity protection of the supply voltage	no	yes

Electrical characteristics RS422 / Push-pull			
Output circuit	RS422 (TTL compatible)	Push-pull	Push-pull (7272 compatible)
Supply voltage	5 V DC (±5 %) 5 ... 30 V DC 10 ... 30 V DC	5 ... 30 V DC 10 ... 30 V DC	5 ... 30 V DC
Power consumption (no load)			
without inverted signal	–	typ. 55 mA/max. 125 mA	–
with inverted signal	typ. 40 mA/max. 90 mA	typ. 80 mA/max. 150 mA	typ. 50 mA/max. 100 mA
Permissible load / channel	max. +/- 20 mA	max. +/- 30 mA	max. +/- 20 mA
Pulse frequency	max. 300 kHz	max. 300 kHz	max. 300 kHz 5)
Signal level	HIGH min. 2.5 V LOW max. 0.5 V	min. +V – 3 V max. 2.5 V	min. +V - 2.0 V max. 0.5 V
Rising edge time t_r	max. 200 ns	max. 1 µs	max. 1 µs
Falling edge time t_f	max. 200 ns	max. 1 µs	max. 1 µs
Short circuit proof outputs 4)	yes	yes	yes
Reverse polarity protection of the supply voltage	no, 10 ... 30 V DC: yes	yes	no

1) During the run-in-phase of approx. 2 hours, reduce the limits for working temperature_{max} or speed max by 1/3.
2) Depending on shaft diameter.

3) With connector: -40 °C [-40 °F], securely installed: -30 °C [-22 °F], flexibly installed: -20 °C [-4 °F].
4) If supply voltage correctly applied.
5) Max. recommended cable length 30 m [98.43'].

Incremental encoders

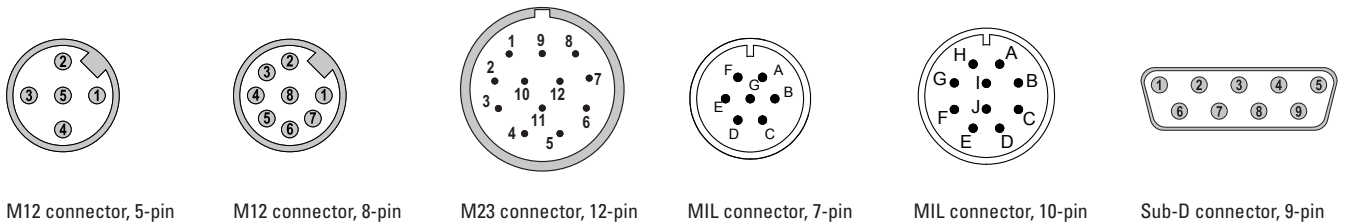
Large hollow shaft robust, optical	A02H (hollow shaft)	Push-pull / RS422 / SinCos
---	----------------------------	-----------------------------------

Terminal assignment

Output circuit	Type of connection	Cable (isolate unused cores individually before initial start-up)											
1 ... D	1, A	Signal:	0 V	+V	0 Vsens	+Vsens	A	\bar{A}	B	\bar{B}	0	$\bar{0}$	\perp
		Core color:	WH	BN	GY/PK	RD/BU	GN	YE	GY	PK	BU	RD	shield
		M23 connector, 12-pin											
1 ... D	2	Signal:	0 V	+V	0 Vsens	+Vsens	A	\bar{A}	B	\bar{B}	0	$\bar{0}$	\perp
		Pin:	10	12	11	2	5	6	8	1	3	4	PH ¹⁾
		M12 connector, 8-pin											
1 ... D	E	Signal:	0 V	+V	A	\bar{A}	B	\bar{B}	0	$\bar{0}$	\perp		
		Pin:	1	2	3	4	5	6	7	8	PH ¹⁾		
		M12 connector, 5-pin											
1 ... D	R	Signal:	0 V	+V	A	B	0	\perp					
		Pin:	1	2	3	4	5	PH ¹⁾					
		MIL connector, 10-pin											
1 ... D	D	Signal:	0 V	+V	A	\bar{A}	B	\bar{B}	0	$\bar{0}$	\perp		
		Pin:	F	D	A	G	B	H	C	I	J		
		MIL connector, 7-pin											
1 ... D	K	Signal:	0 V	+V	+Vsens	A	B	0	\perp				
		Pin:	F	D	E	A	B	C	J				
		Sub-D connector, 9-pin											
1 ... D	G	Signal:	0 V	+V	A	\bar{A}	B	\bar{B}	0	$\bar{0}$	\perp		
		Pin:	1	2	3	6	4	7	5	8	PH ¹⁾		

- +V: Supply voltage encoder +V DC
- 0 V: Supply voltage encoder ground GND (0 V)
- 0 Vsens / +Vsens: Using the sensor outputs of the encoder, the voltage present can be measured and if necessary increased accordingly.
- A, \bar{A} : Incremental output channel A
- B, \bar{B} : Incremental output channel B
- 0, $\bar{0}$: Reference signal
- PH \perp : Plug connector housing (shield)

Top view of mating side, male contact base



1) PH = shield is attached to connector housing.

Incremental encoders

Large hollow shaft
robust, optical

A02H (hollow shaft)

Push-pull / RS422 / SinCos

Dimensions hollow shaft version

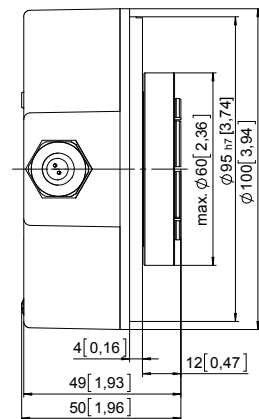
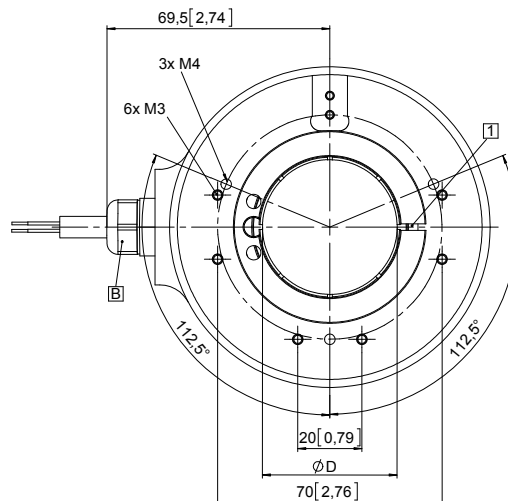
Dimensions in mm [inch]

Flange without mounting aid

Flange type 1

- 1 Recommended torque for the clamping ring 1.0 Nm
- B Cable version

D	Fit
20 [0.79]	H7
25 [0.98]	H7
28 [1.10]	H7
30 [1.18]	H7
38 [1.50]	H7
40 [1.57]	H7
42 [1.65]	H7
5/8"	H7
1"	H7
1 1/4"	H7

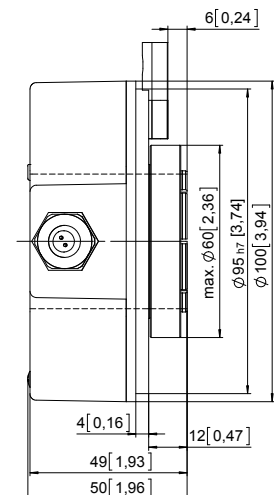
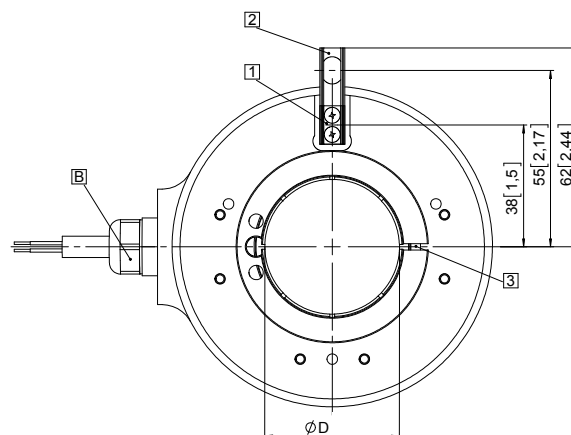


Flange with spring element

Flange type 2 and 3

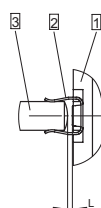
- 1 Spring element, short (flange type 2)
- 2 Spring element, long (flange type 3)
- 3 Recommended torque for the clamping ring
flange type 2: 1.0 Nm
flange type 3: 2.0 Nm
- B Cable version

D	Fit
20 [0.79]	H7
25 [0.98]	H7
28 [1.10]	H7
30 [1.18]	H7
38 [1.50]	H7
40 [1.57]	H7
42 [1.65]	H7
5/8"	H7
1"	H7
1 1/4"	H7



Mounting using the spring element, short

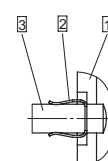
When mounting the encoder, ensure that dimension L is larger than the maximum axial play of the drive in the direction of the arrow.
Danger of mechanical seizure!



- 1 Flange
- 2 Spring element, short
- 3 Torque pin

Mounting using the spring element, long

Torque pin fed through the bore of the spring



- 1 Flange
- 2 Spring element, long
- 3 Torque pin

Incremental encoders

Large hollow shaft robust, optical	A02H (hollow shaft)	Push-pull / RS422 / SinCos
---	----------------------------	-----------------------------------

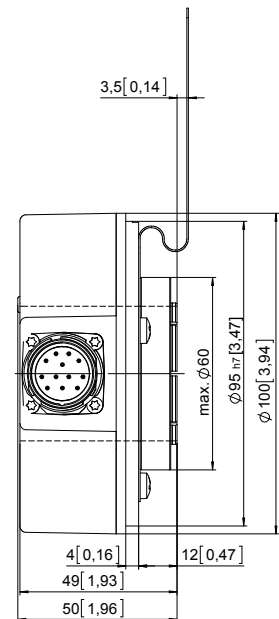
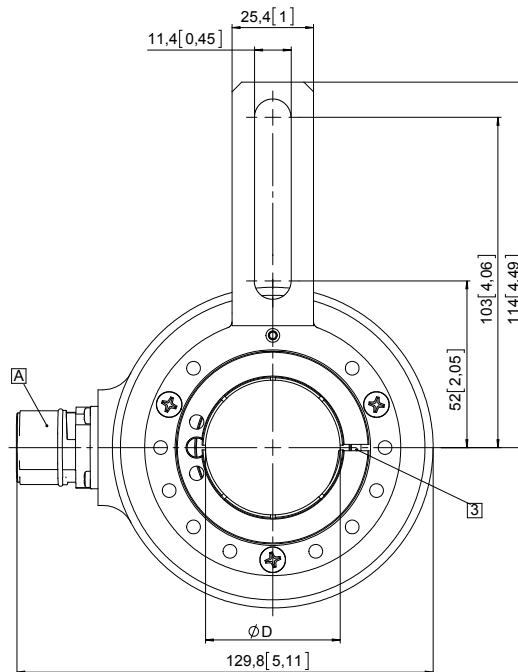
Dimensions hollow shaft version

Dimensions in mm [inch]

Flange with torque stop, long Flange type 5

- 3 Recommended torque for the clamping ring 2.0 Nm
- A Plug version

D	Fit
20 [0.79]	H7
25 [0.98]	H7
28 [1.10]	H7
30 [1.18]	H7
38 [1.50]	H7
40 [1.57]	H7
42 [1.65]	H7
5/8"	H7
1"	H7
1 1/4"	H7



Flange with torque stop, short (Set 8.0010.4T00.0000 enclosed)

Flange type 6

- 3 Recommended torque for the clamping ring 2.0 Nm
- A Plug version

D	Fit
20 [0.79]	H7
25 [0.98]	H7
28 [1.10]	H7
30 [1.18]	H7
38 [1.50]	H7
40 [1.57]	H7
42 [1.65]	H7
5/8"	H7
1"	H7
1 1/4"	H7

