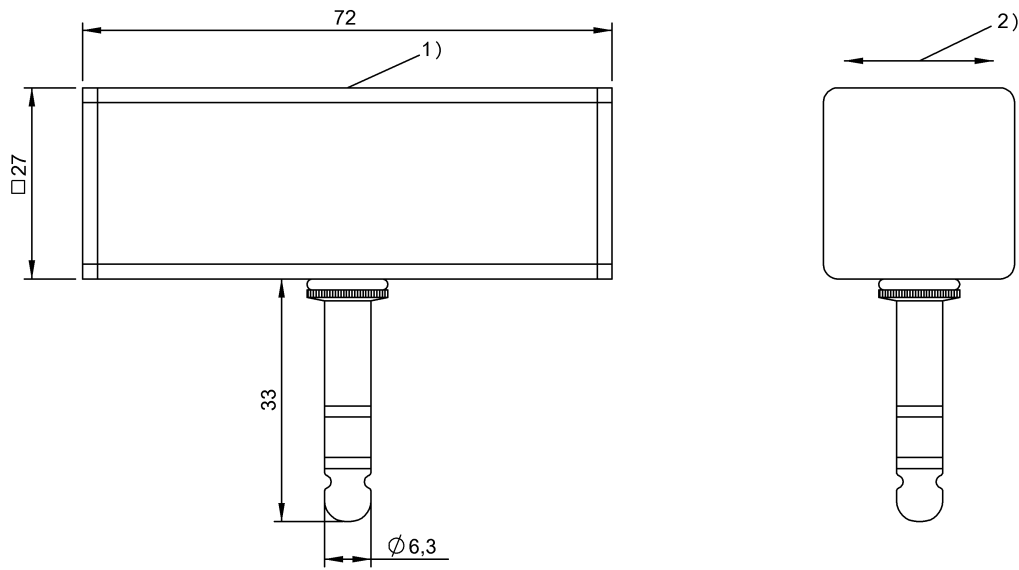


BIS C-853  
BAE0097



1) Sensing surface 2) Read/write axis



## Electrical connection

Connection  $\varnothing$  6.3 mm-Jack plug

## Environmental conditions

Ambient temperature	0...60 °C
EN 60068-2-27, Continuous shock load	yes
EN 60068-2-27, Shock	yes
EN 60068-2-6, Vibration	yes
Protection type IEC 60529	IP67
Storage temperature	-20...60 °C

## Functional safety

EN 60068-2-32 Free fall yes

## General data

Antenna type Rod

Approval/Conformity  
EN 55011

CE  
Size 1, Cl. A

## Material

Housing material PVC

## Mechanical data

Application weight	88.00 g
Dimension	27 x 27 x 72 mm

## Remarks

Read/write head for Handy-Programmer or Read/write gun BIS C-810 BIS C-811 BIS C-820 BIS C-720  
Values are under rated conditions unless otherwise specified.