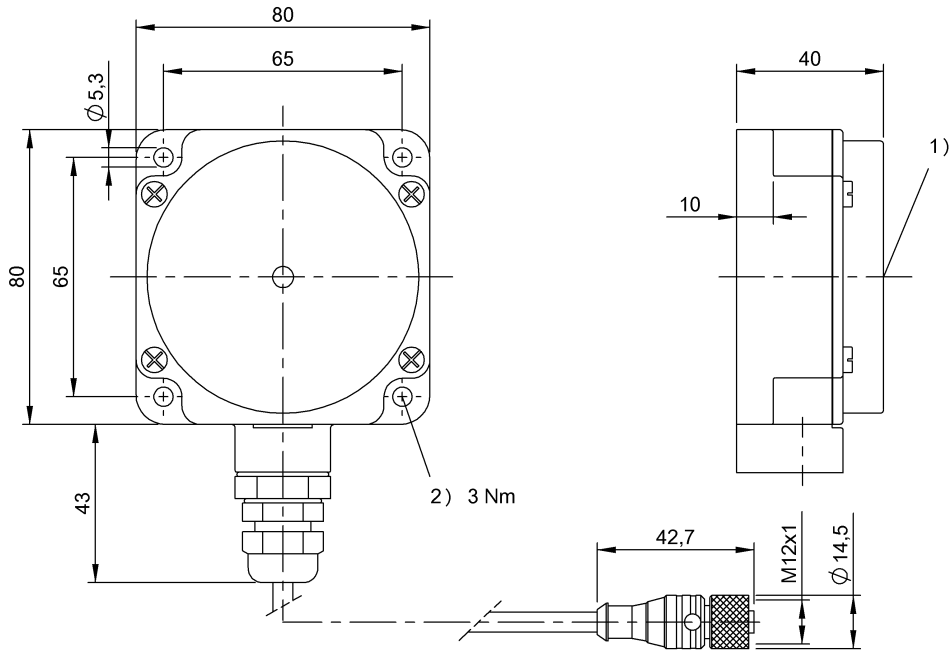


LF (70/455 kHz)  
 BIS C-315-PU1-05  
 Order Code: BIS00PL

**BALLUFF**



1) Sensing surface, 2) Tightening torque



### Basic features

Antenna type	round
Approval/Conformity	CE UKCA cULus WEEE
EN 55011	Size 1, Cl. A
Principle of operation	Read/write head

### Electrical connection

Bending radius min., fixed cable	5 x D
Bending radius min., flexible cable	10 x D
Cable diameter D	5.40 mm
Cable length L	5 m, drag chain compatible
Cable, bending cycles min.	2 mil.
Connection	M12x1-Female
Connection type	5.00 m, PU

### Environmental conditions

Ambient temperature	0...70 °C
Cable temperature, drag chain	-25...60 °C
Cable temperature, fixed routing	-50...80 °C
Continuous shock load	yes
EN 60068-2-27, Shock	yes
EN 60068-2-32 Free fall	yes
EN 60068-2-6, Vibration	yes
IP rating	IP67
Storage temperature	-20...85 °C

### Material

Housing material	Brass, nickel-plated
Housing material, surface protection	nickel-plated
Material jacket	PU

LF (70/455 kHz)  
BIS C-315-PU1-05  
Order Code: BIS00PL

**BALLUFF**

Mechanical data

Installation

Application weight 510.00 g  
Dimension 80 x 40 x 80 mm

metal-free (clear zone)  
on metal  
flush in metal

Remarks

Values are under rated conditions unless otherwise specified.  
Only together with converter BIS C-901 or BIS C-6xx

Help Views

