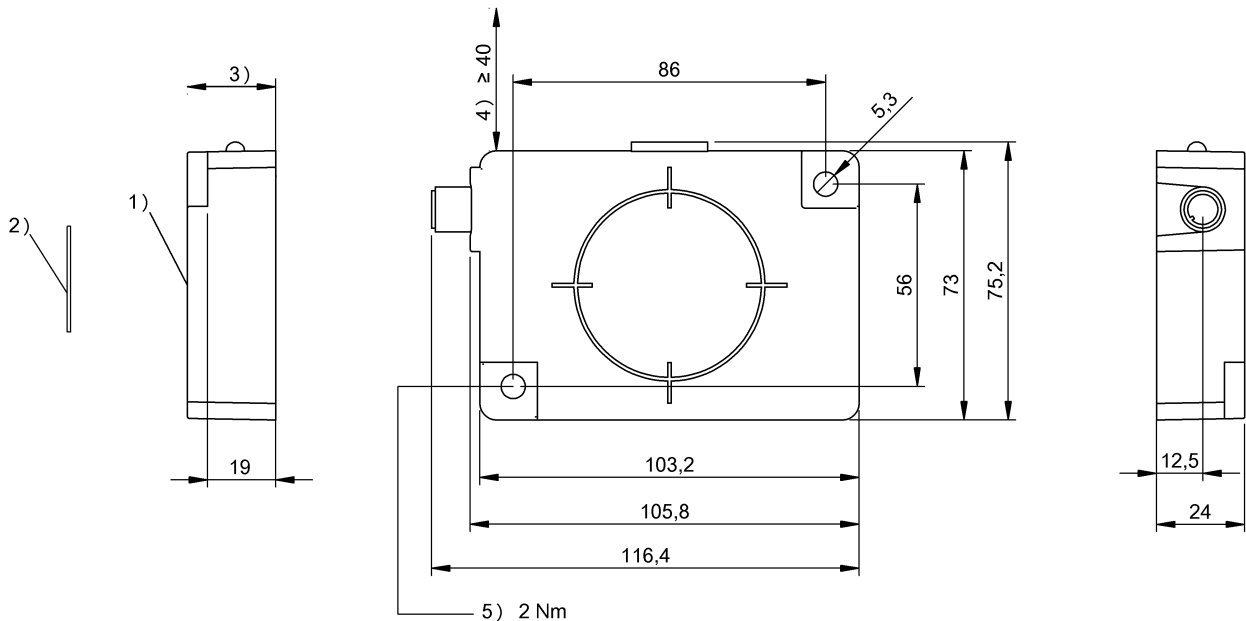


HF (13.56 MHz)

BIS M-411-068-001-00-S115

訂購代碼: BIS00W6

BALLUFF



1) 感應面, 2) 數據載體, 3) 緩衝區, 4) 緩衝區, 環繞, 5) 擰緊力矩



Basic features

EN 55011	組別 1, 等級 A
功能原理	讀寫器
天線形狀	圓形
認證	CE UKCA cULus WEEE

Display/Operation

功能顯示	COM 區, LED 黃色 RF 欄位, LED 紅色 Power (AN), LED 綠色
------	--

Electrical connection

接口	M12x1 插頭, 8 針
----	---------------

Electrical data

24 V DC 時最大耗電量	400 mA
工作電壓 U_b	10 - 30 VDC
餘波, 最大	包含

Environmental conditions

Area of operation	Indoor
EN 60068-2-27, 衝擊	是
EN 60068-2-32, 自由落體	是
EN 60068-2-6, 振動	是
倉儲溫度	-20...70 °C
受污程度	2
持續衝擊作用	是
最大高度位置	2000 m
環境溫度	-20...50 °C
相對空氣濕度	0 - 90 %, 不凝結
防護等級	IP67

HF (13.56 MHz)

BIS M-411-068-001-00-S115

訂購代碼: BIS00W6

BALLUFF

Functional Characteristics

支援的數據載體類型	DIN ISO 14443 DIN ISO 15693
-----------	--------------------------------

Functional safety

MTTF (40 °C)	74 a
--------------	------

Interface

介面	RS232
----	-------

Material

外殼材質	PC, 含 PU 灌封膠
------	--------------

Mechanical data

安裝	無金屬 (緩衝區)
尺寸	75 x 24 x 105 mm
應用重量	200.00 g

Remarks

This device is intended to be supplied by a UL-listed or CSA-certified power supply unit with "Class 2" or LPS power source.

The devices must be installed permanently.

1. Determine a suitable mounting position.

2. Fasten the device with suitable mounting material.

The device can be cleaned with a slightly damp cloth.

Regularly check the function of the device and all associated components through visual and functional tests.

- Shut down the device in the event of malfunctions.

- Secure the system against unauthorized use.

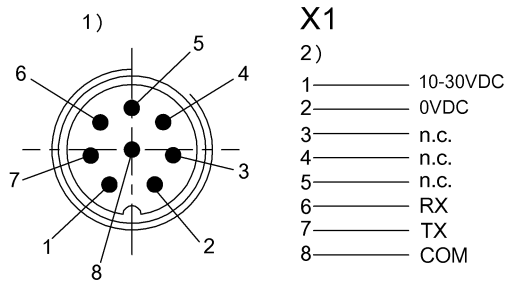
- Check fastening and tighten if necessary.

The product is maintenance-free.

有關 MTTF 及 B10d 的更深入資訊, 請參見 MTTF / B10d 認證

此處所提供的 MTTF / B10d 值並非本公司承諾必定達成的特性及 / 或使用壽命; 這僅為經驗值, 並不具備必須履行的約束力。這些數值並不會構成保固時效期限的延長或對其造成任何形式的影響。

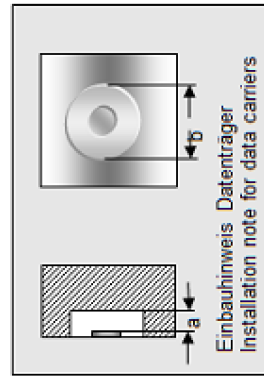
Connector Drawings



Help Views

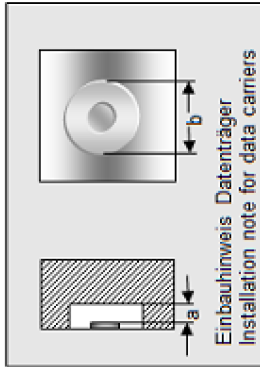
BIS M-411-__

	BIS M-130-03/L	BIS M-130-07/L	BIS M-132-03/L	BIS M-132-03/L- HT
passende Datenträger Appropriate data carriers				
Abstand Datenträger zu Metall in mm (a) Data carrier distance to metal in mm	>10	>10	>25	>25
Freizone Datenträger in mm (b) Data carrier clear zone in mm	>60	>60	>100	>100
Schreibabstand in mm Write distance in mm	0-20	0-13	0-80	0-70
Lesabstand in mm Read distance in mm	0-20	0-13	0-80	0-70
Versatz in mm bei Abstand von	0 ±22	±22	±50	±42
	5 ±22	±22	±50	±42
	9 ±19	±20	±50	±42
	12 ±19	±12	±50	±42
	13 ±19	±5	±50	±42
	15 ±19		±50	±42
	20 ±14		±50	±42
	22		±40	±39
	26		±40	±39
	30		±40	±39
	35		±40	±39
	40		±40	±39
	45		±35	±36
	50		±35	±36
	60		±35	±36
	65		±30	±28
	70		±30	±28
	75		±30	
	80		±30	
	90			
	100			



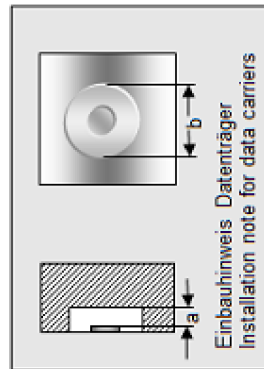
BIS M-411-__

	BIS M-132-10/L	BIS M-132-10/L- HT	BIS M-133-02/A	BIS M-134-10/L	BIS M-134-10/L- HT
passende Datenträger Appropriate data carriers					
Abstand Datenträger zu Metall in mm (a) Data carrier distance to metal in mm	>25	>25	>25	>50	>50
Freizone Datenträger in mm (b) Data carrier clear zone in mm	>100	>100	>100	>150	>150
Schreibabstand in mm Write distance in mm	0-26	0-22	38-52	0-56	0-60
Leseabstand in mm Read distance in mm	0-26	0-22	38-52	0-56	0-60
Versatz in mm bei Abstand von	0 ±20	±20		±35	±32
Offset in mm at distance	5 ±20	±20		±35	±32
	10 ±20	±20		±35	±32
	15 ±20	±20		±35	±32
	20 ±15	±15		±35	±32
	22 ±15	±10		±30	±30
	26 ±15			±30	±30
	30			±30	±30
	38			±30	±30
	40		+25	±30	±30
	45		+25	±30	±25
	50		+25	±25	±25
	52		+25	±25	±20
	56			±25	±20
	60				±20
	70				
	80				
	90				
	100				
	110				
	120				



BIS M-411-__

	BIS M-135-02/L	BIS M-135-03/L	BIS M-135-03/L- HT	BIS M-135-07/L	BIS M-135-07/L- HT
passende Datenträger Appropriate data carriers					
Abstand Datenträger zu Metall in mm (a) Data carrier distance to metal in mm	>50	>50	>50	>50	>50
Freizone Datenträger in mm (b) Data carrier clear zone in mm	>150	>150	>150	>150	>150
Schreibabstand in mm Write distance in mm	0-100	0-110	0-125	11-95	11-75
Lesabstand in mm Read distance in mm	0-100	0-110	0-125	11-95	11-75
Versatz in mm bei Abstand von	0 ±50	±62	±65		
	5 ±50	±62	±65		
	11 ±50	±62	±65	±52	±50
	15 ±50	±62	±65	±52	±50
	20 ±50	±62	±65	±52	±50
	25 ±50	±62	±65	±52	±50
	30 ±50	±62	±65	±52	±50
	35 ±50	±58	±65	±48	±42
	40 ±50	±58	±65	±48	±42
	45 ±50	±58	±62	±48	±42
	50 ±50	±58	±62	±48	±42
	55 ±50	±58	±62	±48	±42
	60 ±50	±58	±62	±48	±35
	75 ±45	±52	±62	±44	±35
	85 ±45	±52	±58	±44	
	95 ±45	±52	±58	±40	
	100 ±45	±52	±58		
	110	±48	±58		
	120		±58		
	125		±50		
	130				



BIS M-411-__

	BIS M-110-02/L	BIS M-111-02/L			
passende Datenträger					
Appropriate data carriers					
Abstand Datenträger zu Metall in mm (a)					
Data carrier distance to metal in mm	>25	>25			
Freizone Datenträger in mm (b)					
Data carrier clear zone in mm	>100	>100			
Schreibabstand in mm					
Write distance in mm	0-45	0-67			
Lesabstand in mm					
Read distance in mm	0-45	0-67			
Versatz in mm	0 ±30	±40			
bei Abstand von	5 ±30	±40			
	10 ±30	±40			
	15 ±28	±40			
	20 ±28	±40			
	25 ±28	±38			
	30 ±28	±38			
	35 ±25	±38			
	40 ±25	±38			
	45 ±10	±35			
	50	±35			
	55	±35			
	60	±35			
	67	±10			
	70				
	75				
	80				
	85				
	90				
	95				
	100				

