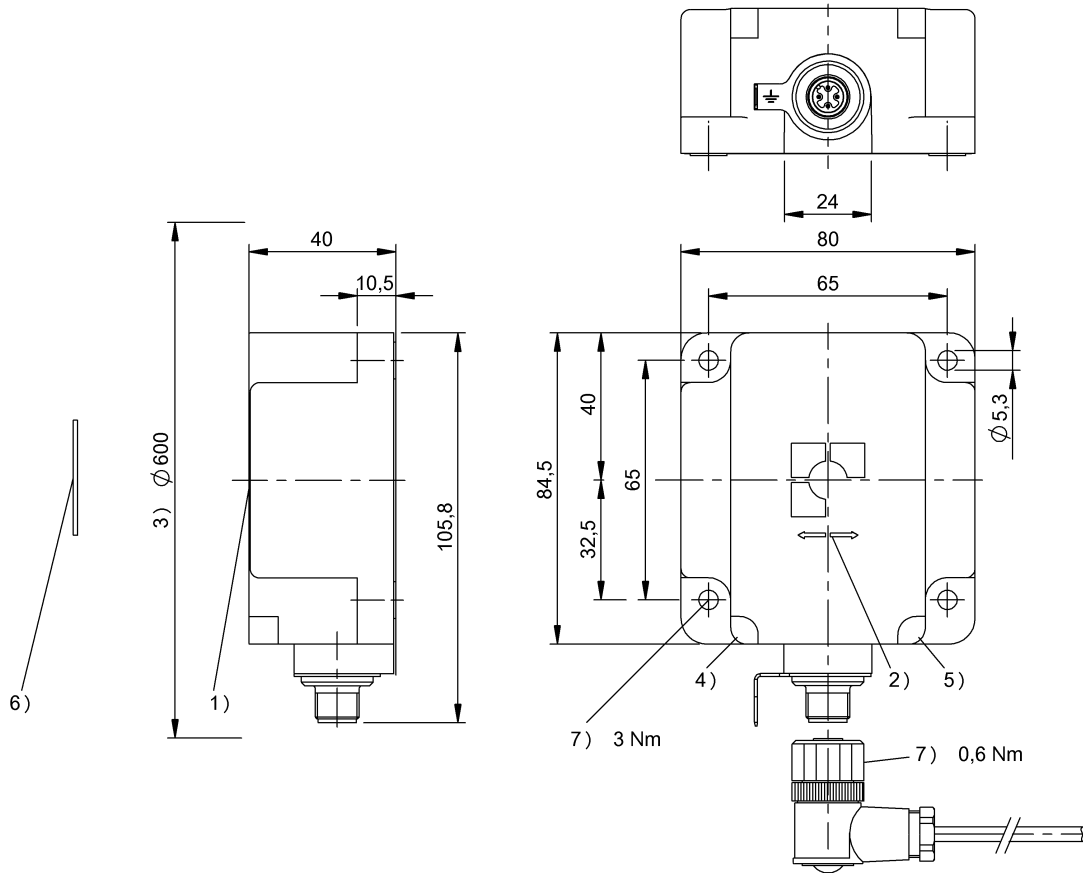


HF (13.56 MHz)
 BIS VM-351-401-S4
 訂購代碼: BIS012Z

BALLUFF



1) 感應面, 2) 讀寫軸, 3) 緩衝區, 4) LED (電源), 5) LED (CP), 6) 數據載體, 7) 擰緊力矩



Basic features

功能原理	讀寫頭
天線形狀	桿式
認證	CE UKCA cULus WEEE

Display/Operation

功能顯示	運行, LED 黃色閃爍 CP (代碼存在), LED 黃色 電源, LED 綠色
------	---

Electrical connection

接口	插頭, 4 針
----	---------

Environmental conditions

Area of operation	Indoor
EN 60068-2-27, 衝擊	是
EN 60068-2-32, 自由落體	是
EN 60068-2-6, 振動	是
倉儲溫度	-20...85 °C
受污程度	2
持續衝擊作用	是
最大高度位置	2000 m
環境溫度	0...70 °C
相對空氣濕度	0 - 90 %, 不凝結
防護等級	IP67

Functional Characteristics

支援的數據載體類型	DIN ISO 15693 DIN ISO 15693 (High Memory)
-----------	--

Material

外殼材質	PBT
------	-----

HF (13.56 MHz)
BIS VM-351-401-S4
訂購代碼: BIS012Z

BALLUFF

Mechanical data

安裝

在金屬上

尺寸

80 x 40 x 84.5 mm

應用重量

360.00 g

Remarks

只能用於符合標準 ISO 15693 的數據載體。

在首次裝備時：附件參見 www.balluff.com

在額定條件下，數值不得另行規定。

如安裝在金屬件內：注意緩衝區。

只能配合 BIS V-6xxx 使用

This device is intended to be supplied by a UL-listed or CSA-certified power supply unit with "Class 2" or LPS power source.

The devices must be installed permanently.

1. Determine a suitable mounting position.

2. Fasten the device with suitable mounting material.

The device can be cleaned with a slightly damp cloth.

Regularly check the function of the device and all associated components through visual and functional tests.

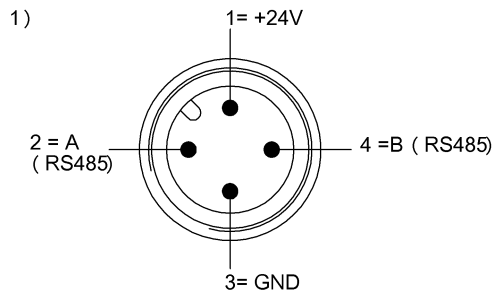
- Shut down the device in the event of malfunctions.

- Secure the system against unauthorized use.

- Check fastening and tighten if necessary.

The product is maintenance-free.

Connector Drawings

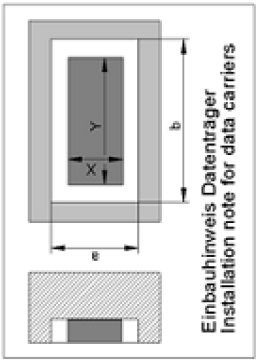


1) 視圖沿插接方向

Help Views

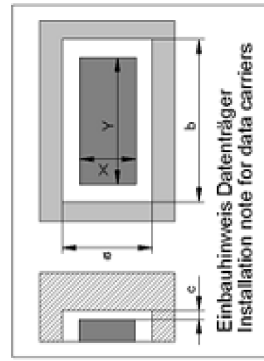
BIS VM-351-401

	BIS M-150-02/A	BIS M-151-02/A	BIS M-150-02/A	BIS M-151-02/A
passende Datenträger Appropriate data carriers				
Freizone Datenträger in mm (a) Data carrier clear zone in mm	>200 >200	>200 >200	>200 >200	>200 >200
Freizone Datenträger in mm (b) Data carrier clear zone in mm	>200 >200	>200 >200	>200 >200	>200 >200
Datenträger Metall-Montagefläche 40x22 Data carrier metal mounting surface 40x22	0-52 0-52	0-52 0-52	0-52 0-52	0-52 0-52
Datenträger Metall-Montagefläche ≥ 200x200 Data carrier metal mounting surface ≥ 200x200				
Schreibabstand in mm Write distance in mm	0-52 0-52	0-52 0-52	0-52 0-52	0-52 0-52
Leseabstand in mm Read distance in mm	0-52 0-52	0-52 0-52	0-52 0-52	0-52 0-52
Versatz in mm bei Abstand von Offset in mm at distance	X Y ±60 ±25 ±60 ±25 ±60 ±25 ±60 ±25 ±60 ±25 ±60 ±25 ±60 ±25 ±60 ±25 ±60 ±25 ±60 ±25 ±60 ±25 ±50 ±25 ±50 ±25 ±50 ±20 ±25 ±20 ±25 ±20 ±25 ±8	Y X ±60 ±25 ±60 ±25 ±60 ±25 ±60 ±25 ±60 ±25 ±60 ±25 ±60 ±25 ±60 ±25 ±60 ±25 ±60 ±25 ±60 ±25 ±50 ±25 ±50 ±25 ±50 ±20 ±25 ±20 ±25 ±20 ±25 ±8	X Y ±60 ±25 ±60 ±25 ±60 ±25 ±60 ±25 ±60 ±25 ±60 ±25 ±60 ±25 ±60 ±25 ±60 ±25 ±60 ±25 ±60 ±25 ±50 ±25 ±50 ±25 ±50 ±20 ±25 ±20 ±25 ±20 ±25 ±8	Y X ±60 ±25 ±60 ±25 ±60 ±25 ±60 ±25 ±60 ±25 ±60 ±25 ±60 ±25 ±60 ±25 ±60 ±25 ±60 ±25 ±60 ±25 ±50 ±25 ±50 ±25 ±50 ±20 ±25 ±20 ±25 ±20 ±25 ±8
	0	5	12	15
	18	20	22	25
	30	32	35	40
	45	50	52	60
	65			



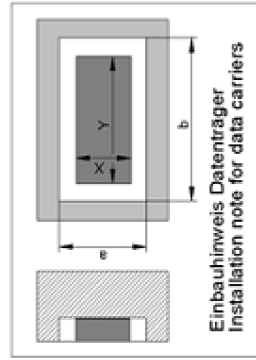
BIS VM-351-401

	BIS M-152-03/A	BIS M-153-02/A	BIS M-153-02/A	BIS M-153-02/A	BIS M-153-1x/A	BIS M-157-17/A
passende Datenträger Appropriate data carriers						
Freizone Datenträger in mm (a) Data carrier clear zone in mm	>200 >200	>240 >240	>240 >240	>240 >240	>240 >240	>200 >200
Freizone Datenträger in mm (b) Data carrier clear zone in mm	>200 >200	>480 >480	>480 >480	>480 >480	>480 >480	>200 >200
Freizone Datenträger in mm (c) Data carrier clear zone in mm	>50 >50	>50 >50	>50 >50	>0 >0	>50 >50	>50 >50
Schreibabstand in mm Write distance in mm	0-36 0-36	0-100 0-100	0-110 0-110	0-110 0-110	0-60 0-60	0-25 0-25
Lesabstand in mm Read distance in mm	0-36 0-36	0-100 0-100	0-110 0-110	0-110 0-110	0-60 0-60	0-25 0-25
Versatz in mm bei Abstand von	X Y	X Y	X Y	X Y	X Y	X Y
	0 ±45 ±23	±110 ±50	±120 ±50	±120 ±50	±70 ±30	±35 ±21
	5 ±45 ±23	±110 ±50	±120 ±50	±120 ±50	±70 ±30	±35 ±21
	10 ±45 ±23	±110 ±50	±120 ±50	±120 ±50	±70 ±30	±35 ±21
	15 ±45 ±23	±110 ±50	±120 ±50	±120 ±50	±70 ±30	±33 ±19
	20 ±40 ±20	±110 ±50	±120 ±50	±120 ±50	±70 ±30	±23 ±13
	25 ±40 ±20	±100 ±50	±100 ±50	±100 ±50	±60 ±30	±7 ±5
	30 ±36 ±18	±100 ±50	±100 ±50	±100 ±50	±60 ±30	
	36 ±20 ±10	±100 ±50	±100 ±50	±100 ±50	±60 ±30	
	40	±100 ±50	±100 ±50	±100 ±50	±60 ±30	
	45	±100 ±50	±100 ±50	±100 ±50	±50 ±25	
	50	±100 ±50	±100 ±50	±100 ±50	±50 ±25	
	60	±80 ±35	±80 ±35	±80 ±35	±15 ±10	
	70	±80 ±35	±80 ±35	±80 ±35		
	80	±80 ±35	±80 ±35	±80 ±35		
	90	±80 ±35	±80 ±35	±80 ±35		
	100	±35 ±15	±80 ±35	±80 ±35		
	110		±25 ±15	±25 ±15		



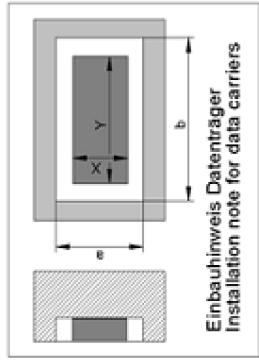
BIS VM-351-401

	BIS M-155-1x/A	BIS M-155-1x/A	BIS M-156-1x/A	BIS M-156-1x/A	BIS M-156-1x/A
passende Datenträger Appropriate data carriers					
Freizone Datenträger in mm (a) Data carrier clear zone in mm	>200	>200	>200	>200	>200
Freizone Datenträger in mm (b) Data carrier clear zone in mm	>200	>200	>200	>200	>200
Datenträger Metall-Montagefläche 40x22 Data carrier metal mounting surface 40x22	0-40	0-40	0-42	0-42	0-42
Datenträger Metall-Montagefläche ≥ 200x200 Data carrier metal mounting surface ≥ 200x200					
Schreibabstand in mm Write distance in mm	0-40	0-40	0-50	0-50	0-42
Leseabstand in mm Read distance in mm	0-40	0-40	0-50	0-50	0-42
Versatz in mm bei Abstand von Offset in mm at distance	0-40	0-40	0-50	0-50	0-42
	X	Y	X	Y	X
0	±50	±24	±55	±28	±50
5	±50	±24	±55	±28	±50
12	±50	±24	±55	±28	±50
15	±50	±24	±55	±28	±45
18	±50	±24	±55	±28	±45
20	±50	±24	±55	±28	±45
22	±40	±22	±50	±25	±45
25	±40	±22	±50	±25	±45
30	±40	±22	±50	±25	±36
32	±40	±22	±40	±20	±36
35	±40	±22	±40	±20	±36
40	±20	±10	±40	±20	±18
42			±40	±20	±18
50			±20	±10	
52					
60					
65					



BIS VM-351-401

passende Datenträger Appropriate data carriers	BIS M-155-20/A	BIS M-155-20/A	BIS M-156-20/A	BIS M-156-20/A
Freizone Datenträger in mm (a) Data carrier clear zone in mm	>200 >200	>200 >200	>200 >200	>200 >200
Freizone Datenträger in mm (b) Data carrier clear zone in mm	>200 >200	>200 >200	>200 >200	>200 >200
Datenträger Metall-Montagefläche 40x22 Data carrier metal mounting surface 40x22	0-75 0-75		0-70 0-70	
Datenträger Metall-Montagefläche ≥ 200x200 Data carrier metal mounting surface ≥ 200x200		0-70 0-70		0-54 0-54
Schreibabstand in mm Write distance in mm	0-75 0-75	0-70 0-70	0-70 0-70	0-54 0-54
Leseabstand in mm Read distance in mm	0-75 0-75	0-70 0-70	0-70 0-70	0-54 0-54
Versatz in mm bei Abstand von	X Y	X Y	Y X	Y X
	0 ±85 ±35	±80 ±34	±80 ±34	±60 ±30
	5 ±85 ±35	±80 ±34	±80 ±34	±60 ±30
	10 ±85 ±35	±80 ±34	±80 ±34	±60 ±30
	15 ±85 ±35	±80 ±34	±80 ±34	±60 ±30
	20 ±85 ±35	±80 ±34	±80 ±34	±60 ±30
	25 ±85 ±35	±75 ±30	±75 ±30	±52 ±25
	30 ±85 ±35	±75 ±30	±75 ±30	±52 ±25
	35 ±75 ±30	±75 ±30	±75 ±30	±52 ±25
	40 ±75 ±30	±75 ±30	±75 ±30	±52 ±25
	45 ±75 ±30	±65 ±27	±65 ±27	±45 ±20
	50 ±75 ±30	±65 ±27	±65 ±27	±45 ±20
	54 ±60 ±25	±65 ±27	±65 ±27	±22 ±12
	60 ±60 ±25	±65 ±27	±65 ±27	
	65 ±60 ±25	±40 ±20	±40 ±20	
	70 ±60 ±25	±40 ±20	±40 ±20	
	75 ±40 ±15			
80				



BIS VM-351-401

	BIS M-191-02/A	BIS M-191-02/A	BIS M-191-02/A	BIS M-191-02/A
passende Datenträger Appropriate data carriers				
Freizone Datenträger in mm (a) Data carrier clear zone in mm	>27	>27	>27	>27
Freizone Datenträger in mm (b) Data carrier clear zone in mm	>27	>27	>27	>27
Datenträger auf Metall-Montagefläche Data carrier on metal mounting surface			0-27	0-27
Montage Metallfrei Mounting non-metal	0-57	0-57		
Schreibabstand in mm Write distance in mm	0-57	0-57		
Leseabstand in mm Read distance in mm	0-57	0-57		
Versatz in mm bei Abstand von Offset in mm at distance	X ±70	Y ±35	X ±40	Y ±20
	5 ±70	±35	±40	±20
	10 ±70	±35	±40	±20
	15 ±70	±35	±30	±18
	20 ±70	±35	±30	±18
	25 ±60	±30	±25	±15
	27 ±60	±30	±15	±5
	35 ±60	±30		
	40 ±60	±30		
	45 ±50	±25		
	50 ±50	±25		
	57 ±30	±15		
	60			
	65			
	70			
	75			

