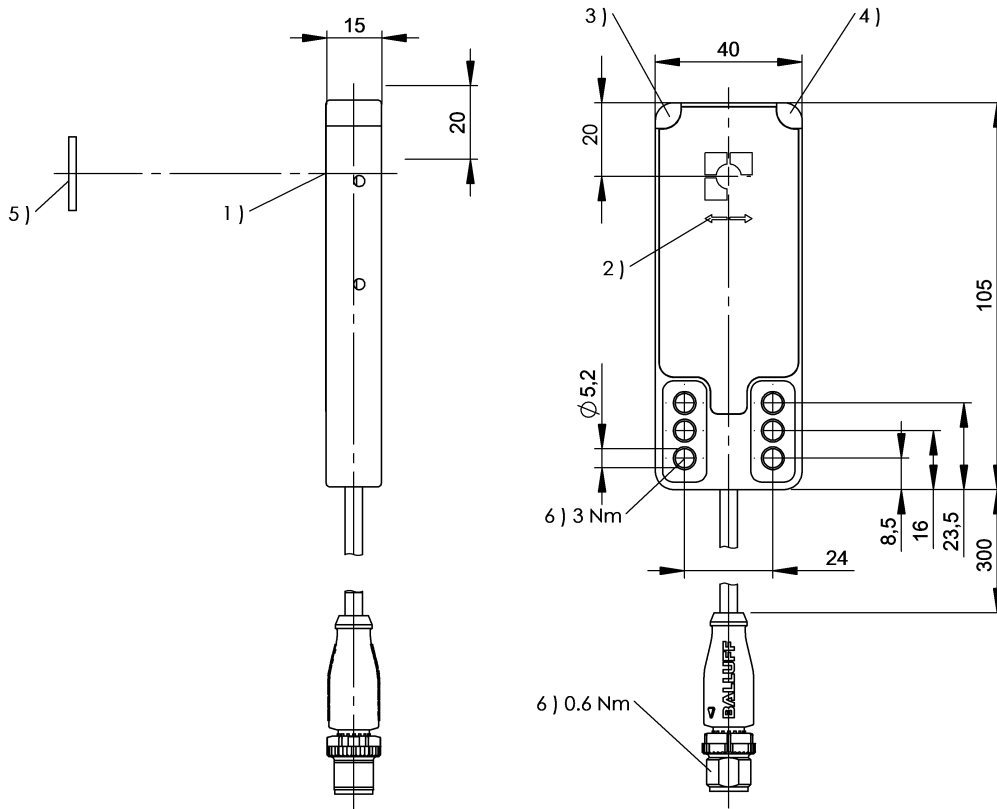


HF (13.56 MHz)
 BIS VM-355-401-S4
 訂購代碼: BIS0131

BALLUFF



1) 感應面, 2) 讀寫軸, 3) LED 工作電壓, 4) LED (CP), 5) 數據載體, 6) 擰緊力矩



Basic features

功能原理	讀寫頭
天線形狀	桿式
認證	CE UKCA cULus FCC IC (Radio) WEEE NCC KC MIC

Environmental conditions

Area of operation	Indoor
EN 60068-2-27, 衝擊	是
EN 60068-2-32, 自由落體	是
EN 60068-2-6, 振動	是
倉儲溫度	-20...85 °C
受污程度	2
持續衝擊作用	是
最大高度位置	2000 m
環境溫度	0...70 °C
相對空氣濕度	0 - 90 %, 不凝結
防護等級	IP67

Display/Operation

功能顯示	運行, LED 黃色閃爍 CP (代碼存在), LED 黃色 Power (AN), LED 綠色
------	---

Functional Characteristics

支援的數據載體類型	DIN ISO 15693 DIN ISO 15693 (High Memory)
-----------	--

Electrical connection

接口	插頭, 4 針
----	---------

Material

外殼材質	鋅, 壓鑄, 鍍鎳
表面保護, 外殼材料	鍍鎳

HF (13.56 MHz)
BIS VM-355-401-S4
訂購代碼: BIS0131

BALLUFF

Mechanical data

尺寸
應用重量

40 x 15 x 105 mm
360.00 g

Remarks

只能用於符合標準 ISO 15693 的數據載體。

在首次裝備時：附件參見 www.balluff.com

在額定條件下，數值不得另行規定。

只能配合 BIS V-61xx 使用

This device is intended to be supplied by a UL-listed or CSA-certified power supply unit with "Class 2" or LPS power source.

The devices must be installed permanently.

1. Determine a suitable mounting position.

2. Fasten the device with suitable mounting material.

The device can be cleaned with a slightly damp cloth.

Regularly check the function of the device and all associated components through visual and functional tests.

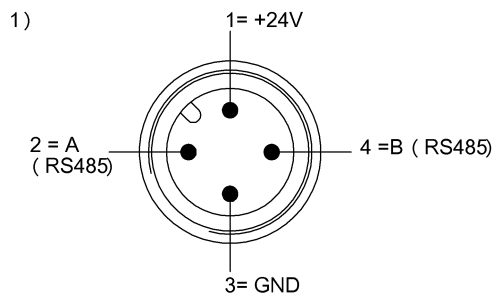
- Shut down the device in the event of malfunctions.

- Secure the system against unauthorized use.

- Check fastening and tighten if necessary.

The product is maintenance-free.

Connector Drawings

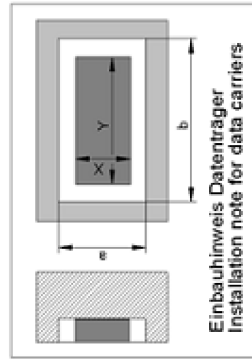


1) 視圖沿插接方向

Help Views

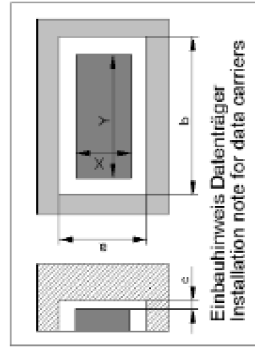
BIS VM-355-401

	BIS M-150-02/A	BIS M-151-02/A	BIS M-150-02/A	BIS M-151-02/A
passende Datenträger Appropriate data carriers				
Freizone Datenträger in mm (a) Data carrier clear zone in mm	>200	>200	>200	>200
Freizone Datenträger in mm (b) Data carrier clear zone in mm	>200	>200	>200	>200
Datenträger Metall-Montagefläche 40x22 Data carrier metal mounting surface 40x22	0-45	0-45	0-45	0-45
Datenträger Metall-Montagefläche ≥ 200x200 Data carrier metal mounting surface ≥ 200x200			0-45	0-45
Schreibabstand in mm Write distance in mm	0-45	0-45	0-45	0-45
Lesabstand in mm Read distance in mm	0-45	0-45	0-45	0-45
Versatz in mm bei Abstand von	X Y	X Y	X Y	X Y
	0 ±50	±24	±50	±24
	5 ±50	±24	±50	±24
	12 ±50	±24	±50	±24
	15 ±50	±24	±50	±24
	18 ±50	±24	±50	±24
	20 ±50	±24	±50	±24
	22 ±40	±20	±40	±20
	25 ±40	±20	±40	±20
	30 ±40	±20	±40	±20
	32 ±40	±20	±40	±20
	35 ±40	±20	±40	±20
	40 ±38	±18	±38	±18
	45 ±20	±10	±20	±10
	50			
	52			
	60			
	65			



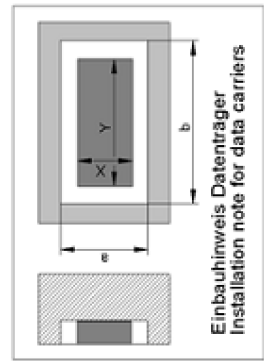
BIS VM-355-401

	BIS M-152-03/A BIS M-158-03/A	BIS M-153-02/A	BIS M-153-02/A	BIS M-153-1x/A	BIS M-157-17/A
passende Datenträger Appropriate data carriers	>200 >200	>240 >240	>240 >240	>240 >240	>200 >200
Freizone Datenträger in mm (a) Data carrier clear zone in mm	>200 >200	>480 >480	>480 >480	>480 >480	>200 >200
Freizone Datenträger in mm (b) Data carrier clear zone in mm	>50 >50	>50 >50	>0 >0	>50 >50	>50 >50
Freizone Datenträger in mm (c) Data carrier clear zone in mm	0-21 0-21	0-60 0-60	0-60 0-60	0-36 0-36	0-15 0-15
Schreibabstand in mm Write distance in mm	0-21 0-21	0-60 0-60	0-60 0-60	0-36 0-36	0-15 0-15
Lesebstand in mm Read distance in mm	X Y	X Y	X Y	X Y	X Y
Versatz in mm bei Abstand von	0 +24 ±11	+80 ±36	+80 ±36	+50 ±26	+20 ±11
	5 +24 ±11	+80 ±36	+80 ±36	+50 ±26	+20 ±11
	10 ±20 ±11	+80 ±36	+80 ±36	+50 ±26	+17 ±9
	13 ±20 ±11	+80 ±36	+80 ±36	+50 ±26	+14 ±7
	15 ±20 ±10	+80 ±36	+80 ±36	+50 ±26	+8 ±3
	20 ±10 ±6	+80 ±36	+80 ±36	+50 ±26	
	25 ±3 ±3	+75 ±30	+75 ±30	+40 ±20	
	30	+75 ±30	+75 ±30	+35 ±17	
	36	+75 ±30	+75 ±30	+20 ±10	
	40	+75 ±30	+75 ±30		
	42	+75 ±30	+75 ±30		
	50	+75 ±30	+75 ±30		
	52	+55 ±25	+55 ±25		
	60	+20 ±10	+20 ±10		
	75				
	83				
	100				



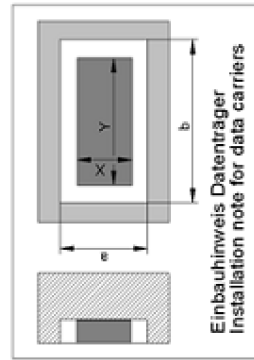
BIS VM-355-401

	BIS M-155-1x/A	BIS M-155-1x/A	BIS M-156-1x/A	BIS M-156-1x/A	BIS M-156-1x/A
passende Datenträger Appropriate data carriers					
Freizone Datenträger in mm (a) Data carrier clear zone in mm	>200 >200	>200 >200	>200 >200	>200 >200	>200 >200
Freizone Datenträger in mm (b) Data carrier clear zone in mm	>200 >200	>200 >200	>200 >200	>200 >200	>200 >200
Datenträger Metall-Montagefläche 40x22 Data carrier metal mounting surface 40x22	0-34 0-34		0-30 0-30		
Datenträger Metall-Montagefläche ≥ 200x200 Data carrier metal mounting surface ≥ 200x200		0-34 0-34		0-30 0-30	
Schreibabstand in mm Write distance in mm	0-34 0-34	0-34 0-34	0-30 0-30	0-30 0-30	
Leseabstand in mm Read distance in mm	0-34 0-34	0-34 0-34	0-30 0-30	0-30 0-30	
Versatz in mm bei Abstand von Offset in mm at distance	X Y 0 ±38 ±18 5 ±38 ±18 10 ±38 ±18 15 ±38 ±18 18 ±35 ±15 20 ±35 ±15 22 ±35 ±15 25 ±35 ±15 30 ±27 ±12 34 ±15 ±8 36 39 42 50 52 60 65	X Y ±40 ±18 ±40 ±18 ±40 ±18 ±40 ±18 ±40 ±18 ±40 ±18 ±35 ±16 ±35 ±16 ±35 ±16 ±15 ±8	Y X ±40 ±20 ±40 ±20 ±40 ±20 ±38 ±17 ±38 ±17 ±38 ±17 ±30 ±15 ±16 ±7 ±16 ±7	Y X ±40 ±20 ±40 ±20 ±40 ±20 ±38 ±17 ±38 ±17 ±38 ±17 ±30 ±15 ±16 ±7 ±16 ±7	Y X ±40 ±20 ±40 ±20 ±40 ±20 ±38 ±17 ±38 ±17 ±38 ±17 ±30 ±15 ±16 ±7 ±16 ±7



BIS VM-355-401

	BIS M-155-20/A	BIS M-155-20/A	BIS M-156-20/A	BIS M-156-20/A
passende Datenträger				
Appropriate data carriers				
Freizone Datenträger in mm (a)	>200	>200	>200	>200
Data carrier clear zone in mm	>200	>200	>200	>200
Freizone Datenträger in mm (b)	>200	>200	>200	>200
Data carrier clear zone in mm	>200	>200	>200	>200
Datenträger Metall-Montagefläche 40x22	0-45	0-45	0-45	0-45
Data carrier metal mounting surface 40x22	0-45	0-45	0-45	0-45
Datenträger Metall-Montagefläche ≥ 200x200	0-45	0-45	0-45	0-45
Data carrier metal mounting surface ≥ 200x200	0-45	0-45	0-45	0-45
Schreibabstand in mm	0-45	0-45	0-45	0-45
Write distance in mm	0-45	0-45	0-45	0-45
Leseabstand in mm	0-45	0-45	0-45	0-45
Read distance in mm	0-45	0-45	0-45	0-45
Versatz in mm bei Abstand von	X	Y	X	Y
Offset in mm at distance	0 ±58 ±24	±58 ±24	±55 ±24	±48 ±20
	5 ±58 ±24	±58 ±24	±55 ±24	±48 ±20
	10 ±58 ±24	±58 ±24	±55 ±24	±48 ±20
	15 ±58 ±24	±58 ±24	±55 ±24	±48 ±20
	20 ±58 ±24	±58 ±24	±55 ±24	±48 ±20
	25 ±53 ±21	±53 ±21	±50 ±20	±38 ±16
	30 ±53 ±21	±53 ±21	±50 ±20	±38 ±16
	35 ±53 ±21	±53 ±21	±50 ±20	±38 ±16
	40 ±45 ±18	±45 ±18	±40 ±18	±38 ±16
	45 ±25 ±12	±25 ±12	±20 ±10	±20 ±10
	50			
	54			
	56			
	60			
	70			
	75			
	80			



HF (13.56 MHz)

BIS VM-355-401-S4

訂購代碼: BIS0131

BALLUFF

BIS VM-355-401

passende Datenträger Appropriate data carriers	BIS M-191-02/A				
Freizone Datenträger in mm (a) Data carrier clear zone in mm	>27	>27			
Freizone Datenträger in mm (b) Data carrier clear zone in mm	>27	>27			

Schreibabstand in mm Write distance in mm	0-25	0-25			
Leserabstand in mm Read distance in mm	0-25	0-25			
Versatz in mm bei Abstand von Offset in mm at distance	X	Y			
	0	±30	±20		
	5	±30	±20		
	10	±30	±20		
	15	±25	±15		
	20	±15	±10		
	25	±5	±5		
	27				
	35				
	40				
	42				
	50				
	57				
	60				
	65				
	70				
	75				

