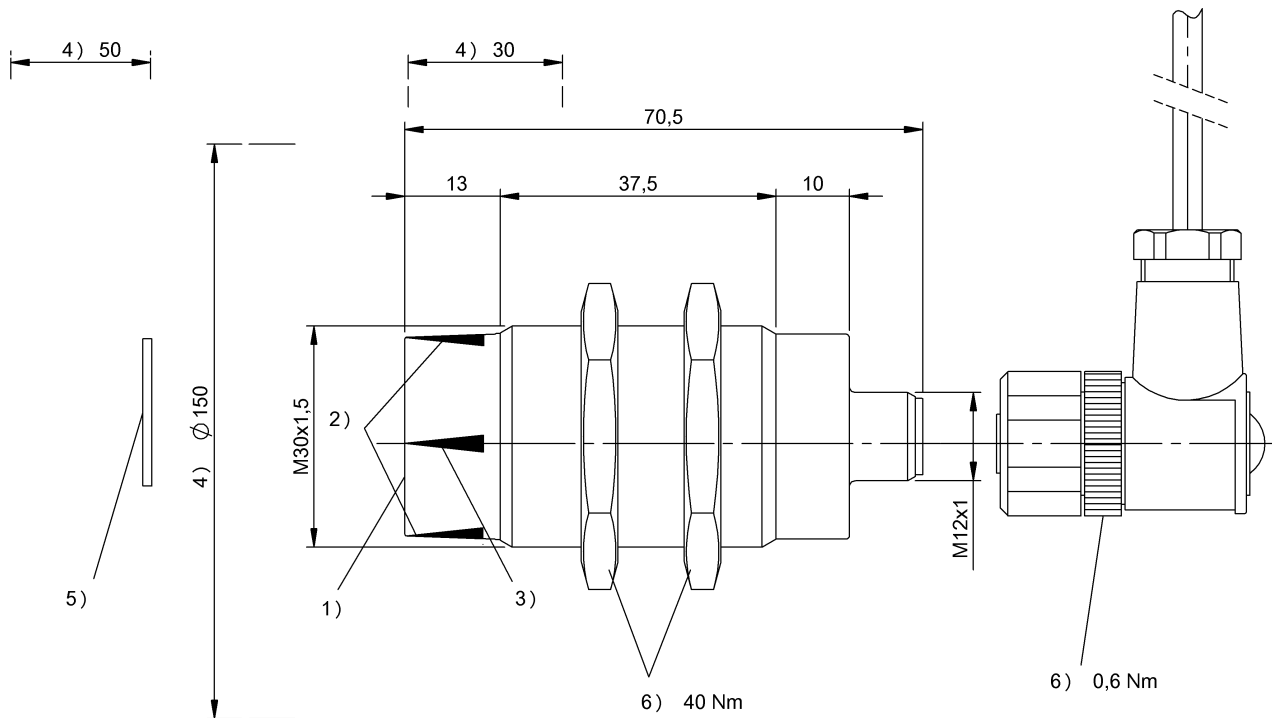


HF (13.56 MHz)
 BIS VM-344-401-S4
 訂購代碼: BIS0132

BALLUFF



1) 感應面, 2) LED (CP), 3) LED (電源), 4) 緩衝區, 5) 數據載體, 6) 擰緊力矩



Basic features

功能原理	讀寫頭
天線形狀	圓形
認證	CE UKCA FCC Part 15 IC (Radio) cULus WEEE NCC KC MIC

Environmental conditions

Area of operation	Indoor
EN 60068-2-27, 衝擊	是
EN 60068-2-32, 自由落體	是
EN 60068-2-6, 振動	是
倉儲溫度	-20...85 °C
受污程度	2
持續衝擊作用	是
最大高度位置	2000 m
環境溫度	0...70 °C
相對空氣濕度	0 - 90 %, 不凝結
防護等級	IP67

Display/Operation

功能顯示	運行, LED 黃色閃爍 CP (代碼存在), LED 黃色 Power (AN), LED 綠色
------	---

Functional Characteristics

支援的數據載體類型	DIN ISO 15693 DIN ISO 15693 (High Memory)
-----------	--

Electrical connection

接口	插頭, 4 針
----	---------

HF (13.56 MHz)
BIS VM-344-401-S4
訂購代碼: BIS0132

BALLUFF

Material

外殼材質	黃銅, 黃銅鍍鎳螺母, 黃銅加白青銅螺母, 塗層
表面保護, 外殼材料	塗層

Mechanical data

安裝	無金屬 (緩衝區)
尺寸	Ø 30 x 70.5 mm
應用重量	100.00 g
結構尺寸	M30x1.5

Remarks

在首次裝備時：附件參見 www.balluff.com

使用專為安裝而附帶的螺母。

在額定條件下，數值不得另行規定。

只能配合 BIS V-6xxx 使用

This device is intended to be supplied by a UL-listed or CSA-certified power supply unit with "Class 2" or LPS power source.

The devices must be installed permanently.

1. Determine a suitable mounting position.

2. Fasten the device with suitable mounting material.

The device can be cleaned with a slightly damp cloth.

Regularly check the function of the device and all associated components through visual and functional tests.

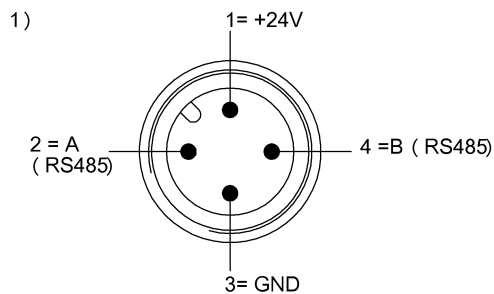
- Shut down the device in the event of malfunctions.

- Secure the system against unauthorized use.

- Check fastening and tighten if necessary.

The product is maintenance-free.

Connector Drawings



1) 視圖沿插接方向

Help Views

HF (13.56 MHz)

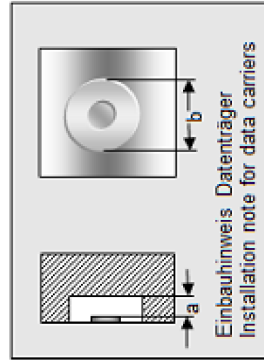
BIS VM-344-401-S4

訂購代碼: BIS0132

BALLUFF

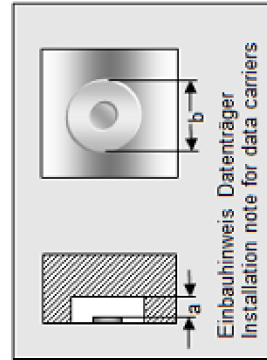
BIS VM-344-___

	BIS M-105-02/A	BIS M-107-03/L- H200	BIS M-108-02/L BIS M-108-20/L	BIS M-108-1x/L
passende Datenträger Appropriate data carriers				
Abstand Datenträger zu Metall in mm (a) Data carrier distance to metal in mm	>20 >5	>25 >0	>25 >0	>25 >0
Freizone Datenträger in mm (b) Data carrier clear zone in mm	>100 >100	>100 >100	>100 >0	>100 >100
Schreibabstand in mm Write distance in mm	0-11 0-11	0-27 0-13	0-30 0-16	0-18 0-15
Lesabstand in mm Read distance in mm	0-11 0-11	0-27 0-13	0-30 0-16	0-18 0-15
Versatz in mm bei Abstand von	±10 ±7	±16 ±10	±18 ±10	±12 ±11
	5 ±8 ±7	±16 ±10	±18 ±10	±12 ±11
	9 ±5 ±3	±16 ±7	±18 ±8	±11 ±10
	13	±14 ±5	±16 ±6	±10 ±9
	15	±14	±16 ±6	±10 ±5
	16	±14	±16 ±4	±5
	18	±14	±16	±5
	20	±14	±16	
	22	±12	±14	
	25	±12	±14	
	27	±5	±10	
	32			
	35			
	40			
	43			
	45			
	50			
	52			
	60			
	65			
	70			



BIS VM-344-___

	BIS M-110-02/L	BIS M-111-02/L	BIS M-112-02/L	BIS M-132-03/L-HT	BIS M-135-03/L-HT
passende Datenträger Appropriate data carriers					
Abstand Datenträger zu Metall in mm (a) Data carrier distance to metal in mm	>25 >10 >5	>25 >10 >5	>50 >15 >10	>25 >0	>50
Freizone Datenträger in mm (b) Data carrier clear zone in mm	>100 >60 >50	>100 >60 >50	>150 >90 >70	>100 >100	>150
Schreibabstand in mm Write distance in mm	0-22 0-16 0-10	0-28 0-18 0-10	0-44 0-25 0-15	0-30 0-8	0-42
Leseabstand in mm Read distance in mm	0-22 0-16 0-10	0-28 0-18 0-10	0-44 0-25 0-15	0-30 0-8	0-42
Versatz in mm bei Abstand von	0 ±14 ±8 ±7	±16 ±10 ±7	±25 ±18 ±15	±18 ±8	±30
	5 ±14 ±8 ±7	±16 ±10 ±7	±25 ±18 ±15	±18 ±6	±30
	8 ±12 ±6 ±2	±14 ±8 ±2	±25 ±16 ±12	±18 ±3	±30
	10 ±12 ±6 ±2	±14 ±8 ±2	±25 ±16 ±12		±30
	12 ±12 ±5	±14 ±7	±24 ±15 ±10		±28
	15 ±12 ±4	±14 ±6	±24 ±14 ±8		±28
	16 ±10 ±2	±14 ±3	±24 ±12		±28
	18 ±10	±14 ±2	±24 ±12		±28
	20 ±10	±14	±24 ±10		±28
	22 ±6	±12	±22 ±8		±24
	25	±12	±22 ±6		±24
	30		±22		±24
	32		±16		±24
	35		±16		±24
	40		±16		±5
	42		±10		±5
	44		±5		
	50				
	60				
	65				
	70				



HF (13.56 MHz)

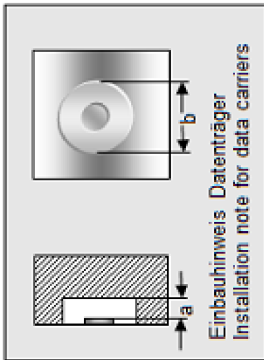
BIS VM-344-401-S4

訂購代碼: BIS0132

BALLUFF

BIS VM-344-__

passende Datenträger Appropriate data carriers	BIS M-140-02/A- xx	BIS M-142-02/A- xx	BIS M-143-02/A- xx	BIS M-144-02/A- xx	BIS M-142-1x/A- xx
Abstand Datenträger zu Metall in mm (a) Data carrier distance to metal in mm	>0	>0	>0	>0	>0
Freizone Datenträger in mm (b) Data carrier clear zone in mm	>100	>100	>100	>100	>100
Schreibabstand in mm Write distance in mm	0-22	0-22	0-13	0-22	0-12
Leseabstand in mm Read distance in mm	0-22	0-22	0-13	0-22	0-12
Versatz in mm bei Abstand von	0 ±13	±13	±10	±13	±10
Offset in mm at distance	5 ±13	±13	±10	±13	±10
	10 ±13	±13	±9	±13	±8
	12 ±11	±11	±5	±11	±5
	13 ±11	±11	±5	±11	
	15 ±11	±11	±5	±11	
	18 ±11	±11		±11	
	20 ±7	±7		±7	
	22 ±7	±7		±7	
	28				
	30				
	32				
	35				
	40				
	43				
	45				
	50				
	52				
	60				
	65				
	70				



BIS VM-344-__

passende Datenträger Appropriate data carriers	BIS M-115-03/A
Freizone Datenträger in mm (a) Data carrier clear zone in mm	>100
Freizone Datenträger in mm (b) Data carrier clear zone in mm	>140
Abstand Datenträger zu Metall in mm (c) Data carrier distance to metal in mm	>25

Schreibabstand in mm Write distance in mm	0-18	0-18
Leseabstand in mm Read distance in mm	0-18	0-18

Versatz in mm bei Abstand von	X	Y
0	±8	±14
5	±8	±14
7	±8	±14
10	±8	±14
15	±6	±14
18	±6	±10
20		
25		
30		
35		
40		
45		

Offset in mm
at distance

