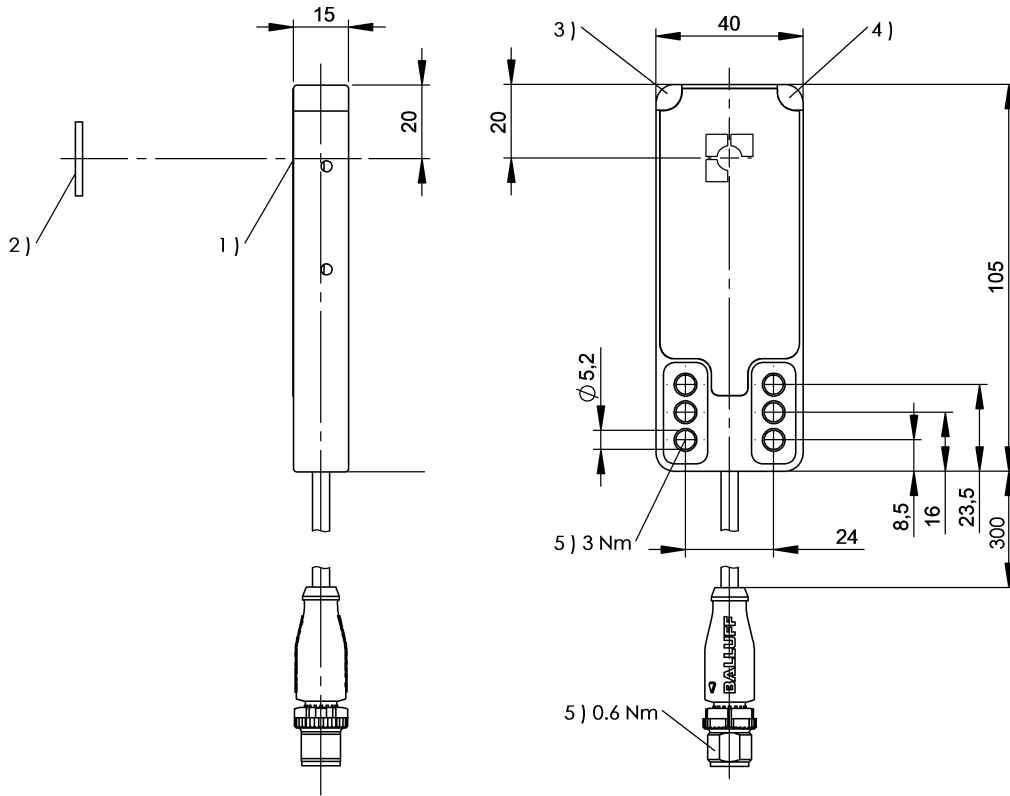


HF (13.56 MHz)  
 BIS VM-345-401-S4  
 訂購代碼: BIS0133

**BALLUFF**



1) 感應面, 2) 數據載體, 3) LED 工作電壓, 4) LED (CP), 5) 擰緊力矩



### Basic features

功能原理	讀寫頭
天線形狀	圓形
認證	CE UKCA cULus FCC IC (Radio) WEEE NCC KC MIC

### Environmental conditions

Area of operation	Indoor
EN 60068-2-27, 衝擊	是
EN 60068-2-32, 自由落體	是
EN 60068-2-6, 振動	是
倉儲溫度	-20...85 °C
受污程度	2
持續衝擊作用	是
最大高度位置	2000 m
環境溫度	0...70 °C
相對空氣濕度	0 - 90 %, 不凝結
防護等級	IP67

### Display/Operation

功能顯示	運行, LED 黃色閃爍 CP (代碼存在), LED 黃色 Power (AN), LED 綠色
------	---

### Functional Characteristics

支援的數據載體類型	DIN ISO 15693 DIN ISO 15693 (High Memory)
-----------	--

### Electrical connection

接口	插頭, 4 針
----	---------

### Material

外殼材質	鋅, 壓鑄, 鍍鎳
表面保護, 外殼材料	鍍鎳

HF (13.56 MHz)  
BIS VM-345-401-S4  
訂購代碼: BIS0133

# BALLUFF

## Mechanical data

尺寸  
應用重量

40 x 15 x 105 mm  
360.00 g

## Remarks

只能用於符合標準 ISO 15693 的數據載體。

在首次裝備時：附件參見 [www.balluff.com](http://www.balluff.com)

在額定條件下，數值不得另行規定。

只能配合 BIS V-61xx 使用

This device is intended to be supplied by a UL-listed or CSA-certified power supply unit with "Class 2" or LPS power source.

The devices must be installed permanently.

1. Determine a suitable mounting position.

2. Fasten the device with suitable mounting material.

The device can be cleaned with a slightly damp cloth.

Regularly check the function of the device and all associated components through visual and functional tests.

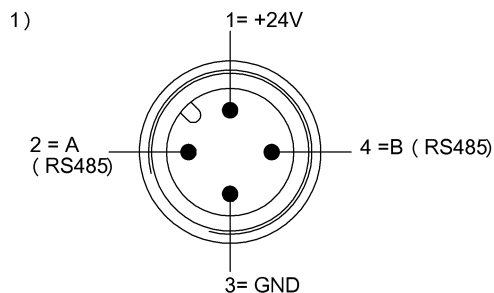
- Shut down the device in the event of malfunctions.

- Secure the system against unauthorized use.

- Check fastening and tighten if necessary.

The product is maintenance-free.

## Connector Drawings

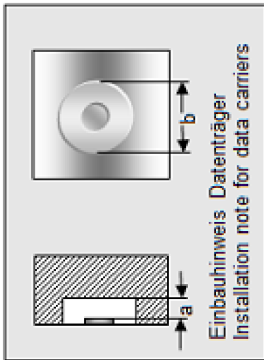


1) 視圖沿插接方向

## Help Views

**BIS VM-345-401**

passende Datenträger Appropriate data carriers	BIS M-108-02/L BIS M-108-20/A	BIS M-108-1x/A	BIS M-122-02/A	BIS M-132-03/L- HT	BIS M-135-03/L- HT
Abstand Datenträger zu Metall in mm ( <b>a</b> ) Data carrier distance to metal in mm	>50 >0 >0	>50 >0 >0	>10 >0	>25	>50
Freizone Datenträger in mm ( <b>b</b> ) Data carrier clear zone in mm	>200 >200 >0	>200 >200 >0	>60 >60	>100	>200
Schreibabstand in mm Write distance in mm	0-28	0-18	0-11 0-9	0-34	0-52
Leseabstand in mm Read distance in mm	0-28	0-18	0-11 0-9	0-34	0-52
Versatz in mm bei Abstand von	0 ±16 4 ±16 8 ±16 9 ±16 10 ±16 11 ±14 15 ±14 18 ±14 22 ±12 25 ±12 28 ±9 32 35 40 42 45 48 50 52 65 70	±14 ±14 ±14 ±14 ±14 ±11 ±11 ±5	±8 ±8 ±8 ±8 ±7 ±6 ±7 ±4	±20 ±20 ±20 ±20 ±20 ±18 ±18 ±18 ±15 ±15 ±15 ±15 ±8	±30 ±30 ±30 ±30 ±30 ±30 ±30 ±30 ±28 ±28 ±28 ±28 ±28 ±24 ±24 ±24 ±24 ±10



HF (13.56 MHz)

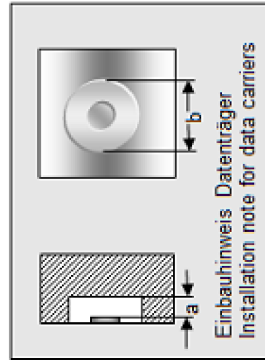
BIS VM-345-401-S4

訂購代碼: BIS0133

**BALLUFF**

**BIS VM-345-401**

	BIS M-110-02/L	BIS M-111-02/L	BIS M-112-02/L		
passende Datenträger					
Appropriate data carriers					
Abstand Datenträger zu Metall in mm ( a )					
Data carrier distance to metal in mm	>50	>50	>50		
Freizone Datenträger in mm ( b )	>200	>200	>200		
Data carrier clear zone in mm	>200	>200	>200		
Schreibabstand in mm	0-22	0-5	0-45		
Write distance in mm	0-22	0-5	0-45		
Leseabstand in mm	0-22	0-5	0-45		
Read distance in mm	0-22	0-5	0-45		
Versatz in mm	±14	±7	±16		
bei Abstand von	4	±6	±16		
	5	±3	±16		
	10	±14	±16		
	15	±12	±14		
	18	±10	±14		
	20	±10	±14		
	22	±6	±12		
	24		±12		
	28		±9		
	30				
	31		±24		
	35		±24		
	40		±24		
	43		±15		
	45		±15		
	48				
	52				
	60				
	65				
	70				



**BIS VM-345-401**

passende Datenträger Appropriate data carriers	BIS M-142-02/A BIS M-142-20/A	BIS M-142-1x/A	BIS M-143-02/A		
Abstand Datenträger zu Metall in mm ( a ) Data carrier distance to metal in mm	>0	>0	>0		
Freizone Datenträger in mm ( b ) Data carrier clear zone in mm	>100	>100	>100		
Schreibabstand in mm Write distance in mm	0-22	0-10	0-16		
Leseabstand in mm Read distance in mm	0-22	0-10	0-16		
Versatz in mm bei Abstand von	0 5 10 13 16 18 20 22 24 28 30 31 35 40 43 45 48 52 60 65 70	±10 ±8 ±4	±10 ±10 ±9 ±8 ±4		
Offset in mm at distance					

