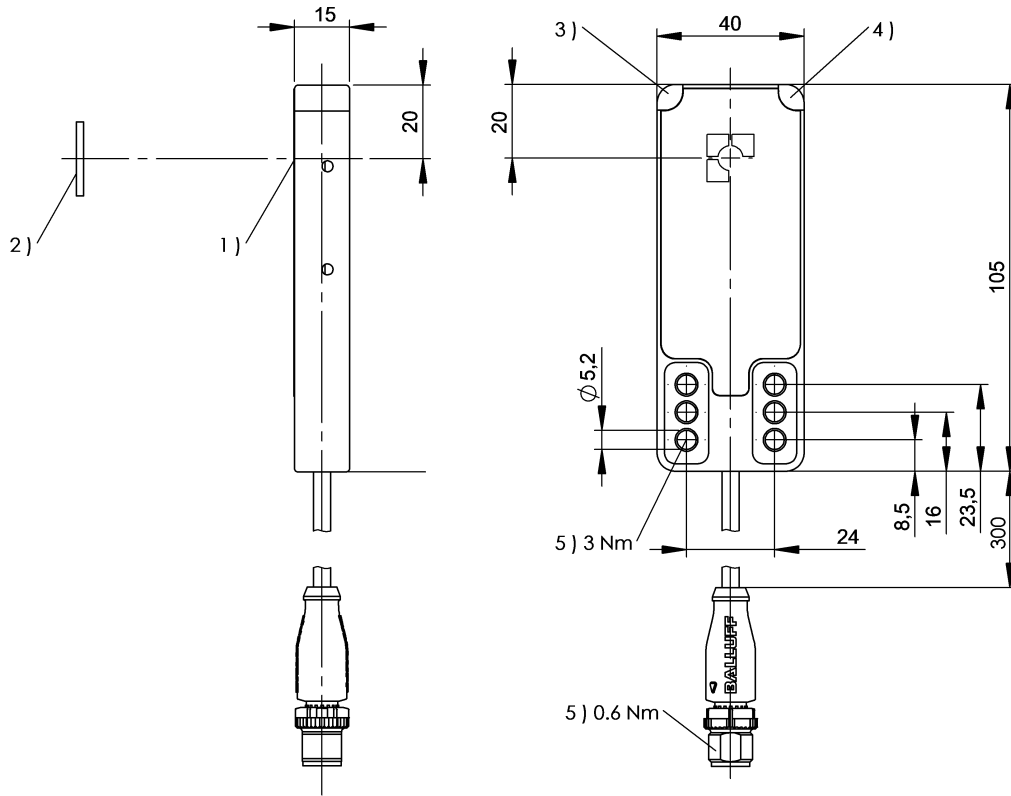


HF (13.56 MHz)
 BIS M-408-045-001-07-S4
 訂購代碼: BIS014J

BALLUFF



1) 感應面, 2) 數據載體, 3) LED 工作電壓, 4) LED (CP), 5) 擰緊力矩



Basic features

功能原理	讀寫頭
天線形狀	圓形
認證	CE UKCA FCC Part 15 IC (Radio) WEEE MIC KC NBTC IMDA

Display/Operation

功能顯示	CP (代碼存在), LED 黃色 Power (AN), LED 綠色 運行, LED 綠色閃爍
------	---

Electrical connection

接口	M12x1 插頭, 4 針, A 編碼
----	---------------------

Electrical data

24 V DC 時最大耗電量	150 mA
傳輸率	COM2 (38.4 kBaud)
工作電壓 U_b	18 - 30 VDC 僅支援 LPS / 2 級
餘波, 最大	1.3 Vss

Environmental conditions

Area of operation	Indoor
EN 60068-2-27, 衝擊	是
EN 60068-2-32, 自由落體	是
EN 60068-2-6, 振動	是
倉儲溫度	-20...85 °C
受污程度	2
持續衝擊作用	是
最大高度位置	2000 m
環境溫度	0...70 °C
相對空氣濕度	0 - 90 %, 不凝結
防護等級	IP67

HF (13.56 MHz)
BIS M-408-045-001-07-S4
訂購代碼: BIS014J

BALLUFF

Functional Characteristics

支援的數據載體類型	DIN ISO 14443 DIN ISO 15693
-----------	--------------------------------

IO-Link

IO-Link 設定檔 IDs	N/A
-----------------	-----

Interface

介面	IO-Link 1.1
過程數據 IN	10 Byte

Material

外殼材質	鋅, 壓鑄, 鍍鎳
表面保護, 外殼材料	鍍鎳

Mechanical data

尺寸	40 x 15 x 105 mm
應用重量	360.00 g

Remarks

在首次裝備時：附件參見 www.balluff.com

在額定條件下，數值不得另行規定。

This device is intended to be supplied by a UL-listed or CSA-certified power supply unit with "Class 2" or LPS power source.

The devices must be installed permanently.

1. Determine a suitable mounting position.

2. Fasten the device with suitable mounting material.

The device can be cleaned with a slightly damp cloth.

Regularly check the function of the device and all associated components through visual and functional tests.

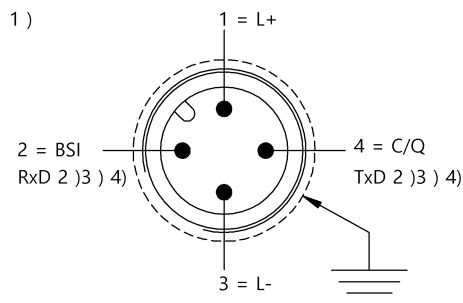
- Shut down the device in the event of malfunctions.

- Secure the system against unauthorized use.

- Check fastening and tighten if necessary.

The product is maintenance-free.

Connector Drawings



- 1) 視圖沿插接方向
- 2) BSI service interface
- 3) Do not connect power
- 4) (Only for Balluff Service)