



HF (13.56 MHz)  
BIS M-458-045-001-07-S4  
訂購代碼: BIS014K

# BALLUFF

## Functional Characteristics

支援的數據載體類型	DIN ISO 14443 DIN ISO 15693
-----------	--------------------------------

## IO-Link

IO-Link 設定檔 IDs	N/A
-----------------	-----

## Interface

介面	IO-Link 1.1
過程數據 IN	10 Byte

## Material

外殼材質	鋅, 壓鑄, 鍍鎳
表面保護, 外殼材料	鍍鎳

## Mechanical data

尺寸	40 x 15 x 105 mm
應用重量	360.00 g

## Remarks

在首次裝備時：附件參見 [www.balluff.com](http://www.balluff.com)

在額定條件下，數值不得另行規定。

This device is intended to be supplied by a UL-listed or CSA-certified power supply unit with "Class 2" or LPS power source.

The devices must be installed permanently.

1. Determine a suitable mounting position.

2. Fasten the device with suitable mounting material.

The device can be cleaned with a slightly damp cloth.

Regularly check the function of the device and all associated components through visual and functional tests.

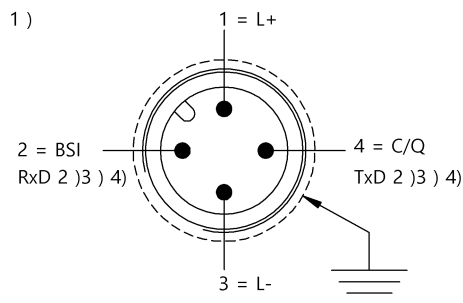
- Shut down the device in the event of malfunctions.

- Secure the system against unauthorized use.

- Check fastening and tighten if necessary.

The product is maintenance-free.

## Connector Drawings

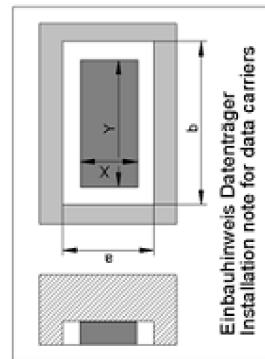


- 1) 視圖沿插接方向
- 2) BSI service interface
- 3) Do not connect power
- 4) (Only for Balluff Service)

## Help Views

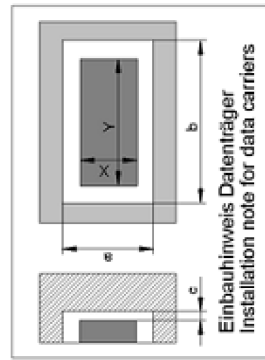
**BIS M-458-045-001-**

	BIS M-150-02/A	BIS M-151-02/A	BIS M-150-02/A	BIS M-151-02/A	BIS M-151-02/A	
passende Datenträger						
Appropriate data carriers						
Freizone Datenträger in mm ( a )	>200	>200	>200	>200	>200	>200
Data carrier clear zone in mm	>200	>200	>200	>200	>200	>200
Freizone Datenträger in mm ( b )	>200	>200	>200	>200	>200	>200
Data carrier clear zone in mm	>200	>200	>200	>200	>200	>200
Datenträger Metall-Montagefläche 40x22	0-38	0-38	0-38	0-38	0-38	0-38
Data carrier metal mounting surface 40x22	0-38	0-38	0-38	0-38	0-38	0-38
Datenträger Metall-Montagefläche ≥ 200x200						
Data carrier metal mounting surface ≥ 200x200						
Schreibabstand in mm	0-38	0-38	0-42	0-42	0-34	0-34
Write distance in mm	0-38	0-38	0-42	0-42	0-34	0-34
Leseabstand in mm	0-38	0-38	0-42	0-42	0-34	0-34
Read distance in mm	0-38	0-38	0-42	0-42	0-34	0-34
Versatz in mm	X	Y	X	Y	Y	X
bei Abstand von	0	±43	±40	±20	±45	±17
	5	±43	±40	±20	±45	±17
	10	±43	±40	±20	±45	±17
	15	±40	±35	±18	±43	±15
	20	±40	±35	±18	±43	±15
	30	±35	±30	±15	±40	±13
	34	±18	±10	±5	±24	±12
	38	±18	±10	±5	±24	±12
	40				±15	±8
	42					
	50					
	60					
	70					
	80					
	90					
	100					



**BIS M-458-045-001-**

	BIS M-152-03/A	BIS M-153-02/A	BIS M-153-02/A	BIS M-153-02/A	BIS M-154-03/A
passende Datenträger					
Appropriate data carriers					
Freizone Datenträger in mm ( a )	>200	>240	>240	>240	>200
Data carrier clear zone in mm	>200	>240	>240	>240	>200
Freizone Datenträger in mm ( b )	>200	>480	>480	>480	>200
Data carrier clear zone in mm	>200	>480	>480	>480	>200
Freizone Datenträger in mm ( c )	>50	>50	>50	>50	>50
Data carrier clear zone in mm	>50	>50	>50	>50	>50
Schreibabstand in mm	0-18	0-54	0-54	0-54	0-16
Write distance in mm	0-18	0-54	0-54	0-54	0-16
Leseabstand in mm	0-18	0-54	0-54	0-54	0-16
Read distance in mm	X	Y	Y	Y	X
Versatz in mm	±22	±12	±30	±30	±10
bei Abstand von	5	±22	±30	±30	±20
	10	±21	±30	±30	±20
	15	±16	±27	±27	±19
	16	±5	±27	±27	±14
	18	±5	±27	±27	±5
	30		±55	±27	
	35		±50	±25	
	40		±50	±25	
	45		±35	±17	
	50		±35	±17	
	54		±15	±7	
	56				
	60				
	70				
	80				



**BIS M-458-045-001-**

passende Datenträger Appropriate data carriers	BIS M-191-02/A				
Freizone Datenträger in mm ( a ) Data carrier clear zone in mm	>27	>27			
Freizone Datenträger in mm ( b ) Data carrier clear zone in mm	>27	>27			

Schreibabstand in mm Write distance in mm	0-25	0-25			
Lesabstand in mm Read distance in mm	0-25	0-25			
Versatz in mm bei Abstand von Offset in mm at distance	X	Y			
	0	±30	±20		
	5	±30	±20		
	10	±30	±20		
	15	±25	±15		
	20	±15	±10		
	25	±5	±5		
	27				
	35				
	40				
	42				
	50				
	57				
	60				
	65				
	70				
	75				

