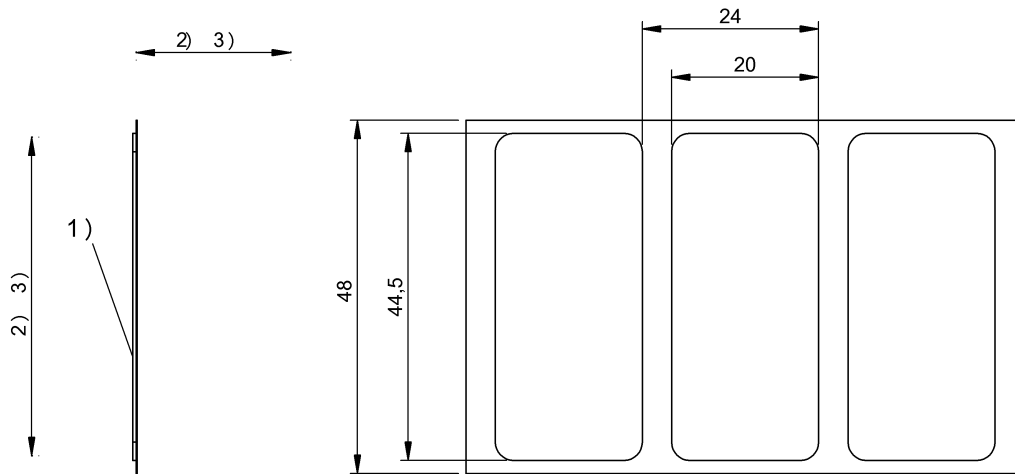


UHF (860...960 MHz)
BIS U-150-N4/CAA
 Order Code: BIS0163

BALLUFF



1) Sensing surface, 2) Clear zone, 3) see corresponding R/W head



Basic features

Antenna type	Dipole
Approval/Conformity	CE WEEE EAC
Principle of operation	Data carrier
Standards	EPCglobal™ Class 1, Gen 2 ISO 18000-6C

Electrical data

Data retention time/years	≥ 20
Polarization	linear
Preferred application	860...960 MHz
Programming cycles	up to 55 °C: 100,000
Read cycles	Unlimited
Working frequency	860...960 MHz

Environmental conditions

Ambient temperature	-20 °C...80 °C
Storage temperature	-20...80 °C

Functional Characteristics

EPC memory, read/write	128 Bit
Memory type	EEPROM
TID memory, read-only	64 Bit
User data, read/write	0 Bit

Material

Housing material	Paper
-------------------------	-------

Mechanical data

Application weight	0.50 g
Dimension	20 × 44.45 mm
Installation	metal-free (clear zone)

Remarks

Values are under rated conditions unless otherwise specified.
 Self-adhesive label Provided on roll Storage and processing instructions: refer to Document No. 888603
 For installation in metal: Observe clear zone.
 Defective labels are marked with a rectangular or dot-shaped black mark. The marking is applied to the label, not to the liner!