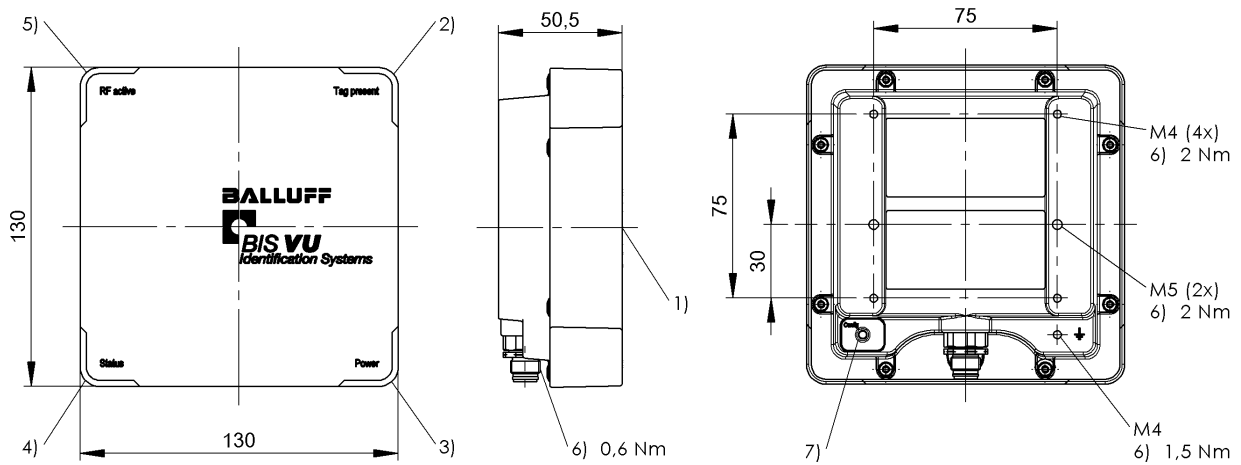


UHF (860...960 MHz)
BIS VU-320-C6-S4
 Order Code: BIS01AZ

BALLUFF



1) Sensing surface, 2) LED (Tag present), 3) LED (Power), 4) LED (Status), 5) LED (RF active), 6) Tightening torque, 7) Button (Config)



NBTC ID: A56008-19-1961

Basic features

Antenna type	Patch
Approval/Conformity	cULus WEEE NTBC EAC
Principle of operation	Read/write head
Radio license	Thailand
Standards	EPCglobal™ Class 1, Gen 2 ISO 18000-6C

Display/Operation

Function indicator	Tag Present, LED yellow Power, LED green RF active, LED blue Status, LED red
--------------------	---

Electrical connection

Connection	M12x1-Male, 4-pin, A-coded
------------	----------------------------

Electrical data

Current consumption max. at 24 V DC	200 mA
Front-to-back ratio	typ.10 dB
Multi-Tag capable	yes
Nominal voltage	24 VDC
Operating voltage U_b	24 V DC LPS Class 2
Output power adjustable	7 dBm...26 dBm (5 mW...400 mW)
Permissible radiated power	≤ 0.5 W EIRP
Polarization	circular
Residual ripple max.	10 %
Working frequency	920...925 MHz

Environmental conditions

Ambient temperature	-20...55 °C
Continuous shock load	yes
EN 60068-2-27, Shock	yes
EN 60068-2-32 Free fall	yes
EN 60068-2-6, Vibration	yes
IP rating	IP67
Storage temperature	-25...70 °C

Functional safety

MTTF (40 °C)	110 a
--------------	-------

UHF (860...960 MHz)
BIS VU-320-C6-S4
Order Code: BIS01AZ

BALLUFF

Interface

Interface RS485

Material

Housing material PC, coated
ABS, Zinc, Die casting,
(Connector)
Housing material, surface protection coated

Mechanical data

Application weight 850.00 g
Dimension 130 x 50.5 x 130 mm

Range/Distance

Axial ratio typ. 1 dB

Remarks

For use only in Thailand.

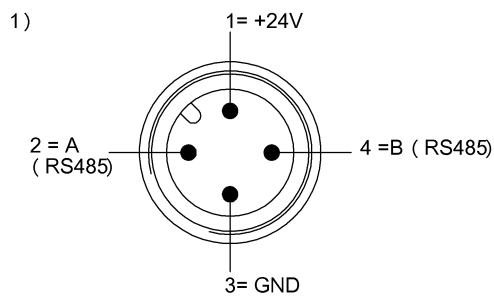
When installing, the technical standards and regulations of the corresponding countries must be observed.

Values are under rated conditions unless otherwise specified.

For more information about MTTF and B10d see MTTF / B10d Certificate

Indication of the MTTF- / B10d value does not represent a binding composition and/or life expectancy assurance; these are simply experiential values with no warranty implications. These declared values also do not extend the expiration period for defect claims or affect it in any way.

Connector Drawings

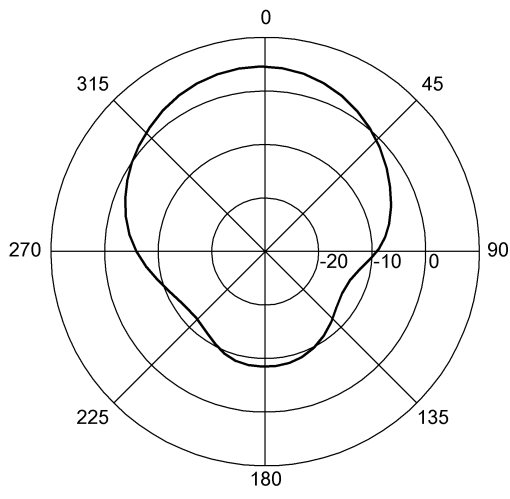


1) View towards connector

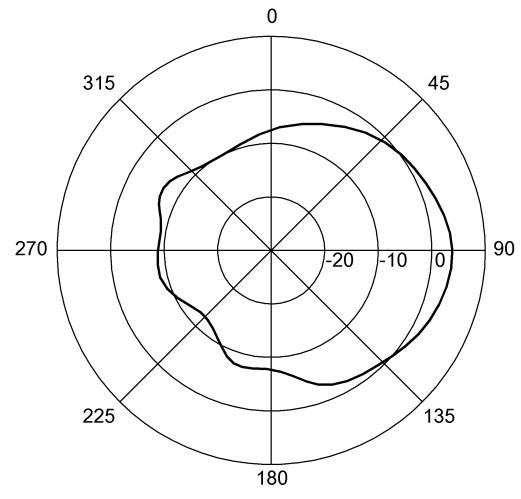
UHF (860...960 MHz)
BIS VU-320-C6-S4
Order Code: BIS01AZ

BALLUFF

Technical Drawings



1)



2)

- 1) Radiation diagram horizontal
- 2) Radiation diagram vertical