

# Hour meters / timers, electromechanical

**Timers with DIN dimensions**    **DIN counters for panel mount, 48 x 24 mm (AC+DC)**    **H37**



The hour meters H37 feature a very high shock resistance. These panel mount counters with standard DIN dimensions can be used in many different fields of application. These non-resettable counters are extremely tamper-proof.

### Characteristics

- 7- or 8-digit hour meter.
- Without reset, high shock resistance.
- Small dimensions, magnified large figures.
- Protection IP65 on the front side.
- Panel mount counter with integrated spring clip (H37.4).
- UL-approved.

### Benefits

- 5 years guarantee. <sup>1)</sup>
- High reliability: for a better sale of your final product.
- Data retention in case of power failure.
- Long service life.

### Applications

General time measurement, maintenance intervals for measuring instruments (respiration units, oxygen, dialysis), small appliances, UV lamps, display panels in vehicles.

### Type series

Description	Mounting	Panel cut-out	Type
Standard DIN counter for panel mount	mounting clip, on rear	45 x 22 [1.77 x 0.91"]	<b>H37</b>
Standard DIN counter for panel mount	2 mounting holes	50 x 25 [1.97 x 0.98"]	<b>H37.1</b>
Standard DIN counter for panel mount	mounting clip, on rear	50 x 25 [1.97 x 0.98"]	<b>H37.2</b>
Standard DIN counter for panel mount	mounting clip, on rear	45 x 22 [1.77 x 0.91"]	<b>H37.5</b>

Dual function timer  
48 x 48 mm [1.89 x 1.89"] on request

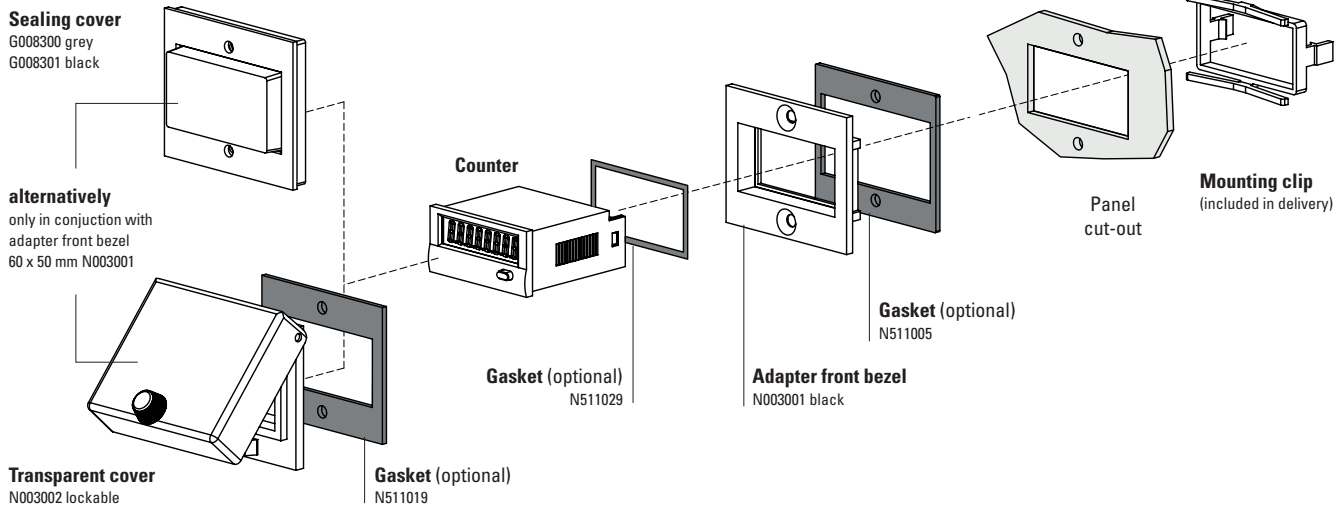


1) When used as specified in the technical data

# Hour meters / timers, electromechanical

## Timers with DIN dimensions    DIN counters for panel mount, 48 x 24 mm (AC+DC)    H37

### Accessories / Mounting examples



		Type / size	Description		Order no.	suitable gasket
<b>Adapter front bezel</b> (only for H37 + H37.5)		<b>53 x 28 mm</b> [2.09 x 1.10"]	for cut-out 50 x 25 mm [1.97 x 0.98"] to cut-out 45 x 22.2 mm [1.77 x 0.94"]	grey black anthracite	<b>T008164</b> <b>T008165</b> <b>T008180</b>	<b>N511015</b>
		<b>56 x 40 mm</b> [2.20 x 1.57"]	for cut-out 50 x 25 mm [1.97 x 0.98"] to cut-out 45 x 22.2 mm [1.77 x 0.94"] screw mounting	black anthracite	<b>T008161</b> <b>T008181</b>	<b>N511045</b>
		<b>72 x 36 mm</b> [2.83 x 1.42"]	for cut-out 68 x 33 mm [2.68 x 1.30"] to cut-out 45 x 22.2 mm [1.77 x 0.94"]	black and silver anodised as set	<b>162704Set</b>	–
		<b>60 x 50 mm</b> [2.36 x 1.97"]	for cut-out 54 x 29 mm [2.13 x 1.14"] to cut-out 45 x 22.2 mm [1.77 x 0.94"] screw mounting	black	<b>N003001</b>	<b>N511005</b>
		<b>48 x 48 mm</b> [1.89 x 1.89"]	for cut-out 45 x 45 mm [1.77 x 1.77"] to cut-out 45 x 22.2 mm [1.77 x 0.94"]	black	<b>T008883</b>	–
<b>Sealing cover IP65</b> (only for H37 + H37.5)		<b>K1</b>	only in conjunction with adapter front bezel 60 x 50 mm N003001	transparent / grey transparent / black	<b>G008300</b> <b>G008301</b>	–
<b>Transparent cover IP65</b> (only for H37 + H37.5)		<b>1 Dv</b> (mounted on bezel)	cover lockable, for cut-out 54 x 29 mm [2.13 x 1.14"], only in conjunction with adapter front bezel 60 x 50 mm N003001	transparent / black	<b>N003002</b>	<b>N511019</b>
<b>Gasket counter</b>			48 x 24 mm (for installation in adapter front bezel) 49 x 25 mm 53 x 28 mm	H37 + H37.5 H37 + H37.5 H37.2	<b>N511029</b> <b>N511034</b> <b>N511015</b>	
<b>Mounting frame</b> (only for H37 + H37.5)		<b>cut-out</b> <b>50 x 25 mm</b> [1.97 x 0.98"]	via adapter T008180 for snap-on mounting on 35 mm [1.38"] top-hat DIN rail	chromated	<b>G300004</b>	–
<b>Terminal cover</b>		<b>KA 37</b>	2-pcs. per counter required	transparent	<b>T051687</b>	–

# Hour meters / timers, electromechanical

<b>Timers with DIN dimensions</b>	<b>DIN counters for panel mount, 48 x 24 mm (AC+DC)</b>	<b>H37</b>
-----------------------------------	---	------------

Technical data															
<b>Electrical connection</b>	screw terminals (tightening torque max. 0.8 Nm)														
<b>Power consumption</b>	<table style="width: 100%; border-collapse: collapse;"> <tr> <td style="width: 15%;">10 ... 30 V DC</td> <td>approx. 500 mW</td> </tr> <tr> <td>36 ... 80 V DC</td> <td>approx. 900 mW</td> </tr> <tr> <td>100 ... 130 V DC</td> <td>approx. 750 mW</td> </tr> <tr> <td>20 ... 30 V AC, 50 Hz</td> <td>approx. 0.3 VA</td> </tr> <tr> <td>42 ... 48 V AC, 50 Hz</td> <td>approx. 0.25 VA</td> </tr> <tr> <td>100 ... 130 V AC, 50 Hz</td> <td>approx. 0.6 VA</td> </tr> <tr> <td>187 ... 264 V AC, 50 Hz</td> <td>approx. 1.2 VA</td> </tr> </table>	10 ... 30 V DC	approx. 500 mW	36 ... 80 V DC	approx. 900 mW	100 ... 130 V DC	approx. 750 mW	20 ... 30 V AC, 50 Hz	approx. 0.3 VA	42 ... 48 V AC, 50 Hz	approx. 0.25 VA	100 ... 130 V AC, 50 Hz	approx. 0.6 VA	187 ... 264 V AC, 50 Hz	approx. 1.2 VA
10 ... 30 V DC	approx. 500 mW														
36 ... 80 V DC	approx. 900 mW														
100 ... 130 V DC	approx. 750 mW														
20 ... 30 V AC, 50 Hz	approx. 0.3 VA														
42 ... 48 V AC, 50 Hz	approx. 0.25 VA														
100 ... 130 V AC, 50 Hz	approx. 0.6 VA														
187 ... 264 V AC, 50 Hz	approx. 1.2 VA														
<b>Rated voltages</b>	<table style="width: 100%; border-collapse: collapse;"> <tr> <td style="width: 15%;">AC (50 or 60 Hz)</td> <td>20 ... 30 V, 42 ... 48 V, 100 ... 130 V, 187 ... 264 V</td> </tr> <tr> <td>DC</td> <td>10 ... 30 V, 36 ... 80 V, 100 ... 130 V</td> </tr> </table>	AC (50 or 60 Hz)	20 ... 30 V, 42 ... 48 V, 100 ... 130 V, 187 ... 264 V	DC	10 ... 30 V, 36 ... 80 V, 100 ... 130 V										
AC (50 or 60 Hz)	20 ... 30 V, 42 ... 48 V, 100 ... 130 V, 187 ... 264 V														
DC	10 ... 30 V, 36 ... 80 V, 100 ... 130 V														
<b>On time</b>	100 %														
<b>Number of digits</b>	<table style="width: 100%; border-collapse: collapse;"> <tr> <td style="width: 15%;">AC</td> <td>7 – 99999.99 h</td> </tr> <tr> <td>DC</td> <td>8 – 999999.99 h</td> </tr> </table>	AC	7 – 99999.99 h	DC	8 – 999999.99 h										
AC	7 – 99999.99 h														
DC	8 – 999999.99 h														
<b>Resolution</b>	0.01 h equals 36 s														
<b>Height of figures</b>	4 mm [0.16"]														
<b>Color of figures</b>	white and red on black														
<b>Reset</b>	no reset														
<b>Operating temperature</b>	-15 °C ... +50 °C [+5 °F ... +122 °F] (non-condensing)														
<b>Storage temperature</b>	-40 °C ... +85 °C [-40 °F ... +185 °F]														
<b>Relative humidity at +30 °C [+86 °F]</b>	≤ 80 % (non-condensing)														
<b>Altitude</b>	up to 2000 m [6562']														
<b>Mounting position</b>	any														
<b>Protection</b>	IP65 (front side) built in with gasket, (order gasket separately)														
<b>Device safety</b>	<table style="width: 100%; border-collapse: collapse;"> <tr> <td style="width: 15%;">designed to protection class</td> <td>EN 61010 part 1 2</td> </tr> <tr> <td>application area</td> <td>pollution level 2</td> </tr> </table>	designed to protection class	EN 61010 part 1 2	application area	pollution level 2										
designed to protection class	EN 61010 part 1 2														
application area	pollution level 2														
<b>Housing</b>	plastic PC (Polycarbonate) types with IP65 protection are sealed (potted)														
<b>Accuracy</b>	<table style="width: 100%; border-collapse: collapse;"> <tr> <td style="width: 15%;">AC</td> <td>supply frequency + 30 ms</td> </tr> <tr> <td>DC</td> <td>&lt; 0.003 % (at 24 h)</td> </tr> </table>	AC	supply frequency + 30 ms	DC	< 0.003 % (at 24 h)										
AC	supply frequency + 30 ms														
DC	< 0.003 % (at 24 h)														
<b>Weight</b>	<table style="width: 100%; border-collapse: collapse;"> <tr> <td style="width: 15%;">H37</td> <td>approx. 50 g [1.76 oz]</td> </tr> <tr> <td>slip on bezel 37.1</td> <td>6 g [0.21 oz]</td> </tr> <tr> <td>slip on bezel 37.2</td> <td>2 g [0.07 oz]</td> </tr> </table>	H37	approx. 50 g [1.76 oz]	slip on bezel 37.1	6 g [0.21 oz]	slip on bezel 37.2	2 g [0.07 oz]								
H37	approx. 50 g [1.76 oz]														
slip on bezel 37.1	6 g [0.21 oz]														
slip on bezel 37.2	2 g [0.07 oz]														

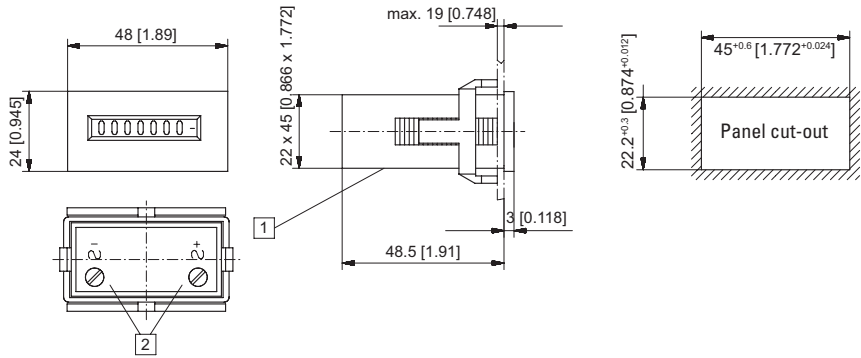
Options					
<b>Housing color</b>	grey Art. no. 3.130.X50.XXX				
<b>Electrical connection</b>	<table style="width: 100%; border-collapse: collapse;"> <tr> <td style="width: 15%;">flat pin 0.8 x 6.3 mm [0.031 x 0.25"]</td> <td>Art.-No.: 3.24X.20X.XXX.011</td> </tr> <tr> <td>screw terminal with terminal cover spring-type terminal</td> <td>Art.-No.: 3.24X.20X.XXX.456 on request</td> </tr> </table>	flat pin 0.8 x 6.3 mm [0.031 x 0.25"]	Art.-No.: 3.24X.20X.XXX.011	screw terminal with terminal cover spring-type terminal	Art.-No.: 3.24X.20X.XXX.456 on request
flat pin 0.8 x 6.3 mm [0.031 x 0.25"]	Art.-No.: 3.24X.20X.XXX.011				
screw terminal with terminal cover spring-type terminal	Art.-No.: 3.24X.20X.XXX.456 on request				
<b>360 - 440 V AC</b>	on request				

Approvals							
<b>UL compliant</b> in accordance with	File no. E128604						
<b>CE compliant</b> in accordance with	<table style="width: 100%; border-collapse: collapse;"> <tr> <td style="width: 15%;">EMC Directive</td> <td>2014/30/EU</td> </tr> <tr> <td>RoHS Directive</td> <td>2011/65/EU</td> </tr> <tr> <td>Low Voltage Directive</td> <td>2014/35/EU</td> </tr> </table>	EMC Directive	2014/30/EU	RoHS Directive	2011/65/EU	Low Voltage Directive	2014/35/EU
EMC Directive	2014/30/EU						
RoHS Directive	2011/65/EU						
Low Voltage Directive	2014/35/EU						
<b>UKCA compliant</b> in accordance with	<table style="width: 100%; border-collapse: collapse;"> <tr> <td style="width: 15%;">EMC Regulations</td> <td>S.I. 2016/1091</td> </tr> <tr> <td>RoHS Regulations</td> <td>S.I. 2012/3032</td> </tr> <tr> <td>Low Voltage Regulations</td> <td>S.I. 2016/1101</td> </tr> </table>	EMC Regulations	S.I. 2016/1091	RoHS Regulations	S.I. 2012/3032	Low Voltage Regulations	S.I. 2016/1101
EMC Regulations	S.I. 2016/1091						
RoHS Regulations	S.I. 2012/3032						
Low Voltage Regulations	S.I. 2016/1101						

# Hour meters / timers, electromechanical

## Timers with DIN dimensions    DIN counters for panel mount, 48 x 24 mm (AC+DC)    H37

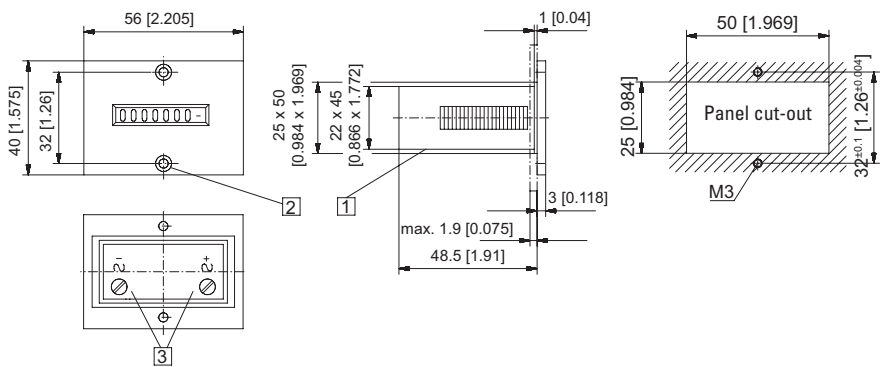
Mounting clip, on rear,  
panel mount dimensions 45 x 22 [1.77 x 0.91]  
Type H37



1 Wire entry    2 Screw terminal with flat pin 0.8 x 6.3 [0.031 x 0.25]

Type	Display	Voltage	Art. no.					
			10 ... 30 V	20 ... 30 V	36 ... 80 V	42 ... 48 V	100 ... 130 V	187 ... 264 V
H37	7 digits	AC (50 Hz)		3.240.201.071		3.240.201.072	3.240.201.074 <sup>1)</sup>	3.240.201.075 <sup>1)</sup>
	7 digits	AC (60 Hz)		3.240.201.081		3.240.201.082	3.240.201.084	3.240.201.085
	8 digits	DC	3.240.201.351 <sup>1)</sup>		3.240.201.353		3.240.201.381	

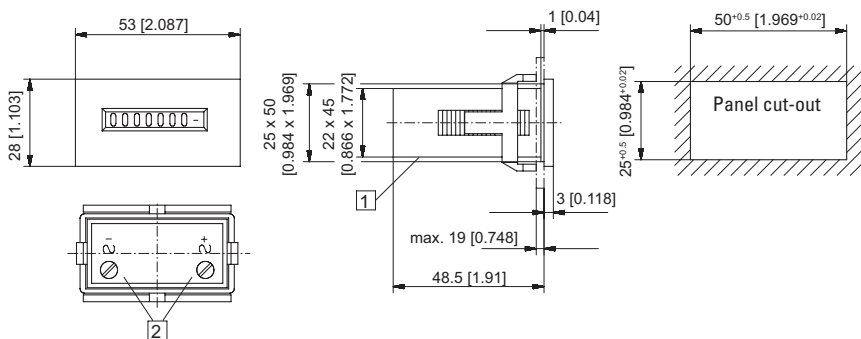
2 mounting holes,  
panel mount dimensions 50 x 25 [1.97 x 0.98"]  
Type H37.1



1 Wire entry    2 Countersinking Af3, DIN 74    3 Screw terminal with flat pin 0.8 x 6.3 [0.031 x 0.25]

Type	Display	Voltage	Art. no.					
			10 ... 30 V	20 ... 30 V	36 ... 80 V	42 ... 48 V	100 ... 130 V	187 ... 264 V
H37.1	7 digits	AC (50 Hz)		3.241.201.071		3.241.201.072	3.241.201.074	3.241.201.075
	7 digits	AC (60 Hz)		3.241.201.081		3.241.201.082	3.241.201.084	3.241.201.085
	8 digits	DC	3.241.201.351 <sup>1)</sup>		3.241.201.353		3.241.201.381	

Mounting clip, on rear,  
panel mount dimensions 50 x 25 [1.97 x 0.98"]  
Type H37.2



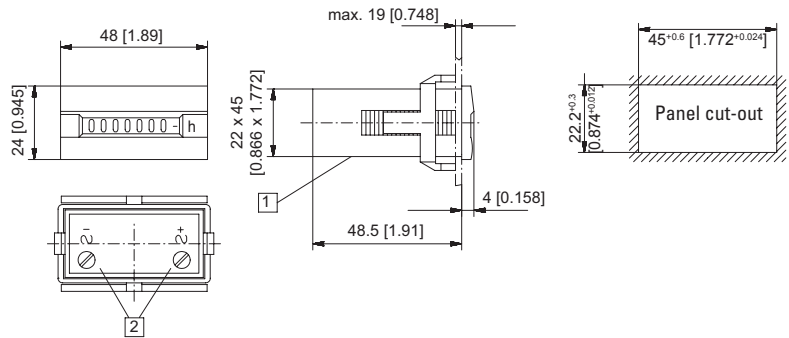
1 Wire entry    2 Screw terminal with flat pin 0.8 x 6.3 [0.031 x 0.25]

Type	Display	Voltage	Art. no.					
			10 ... 30 V	20 ... 30 V	36 ... 80 V	42 ... 48 V	100 ... 130 V	187 ... 264 V
H37.2	7 digits	AC (50 Hz)		3.242.201.071		3.242.201.072	3.242.201.074	3.242.201.075 <sup>1)</sup>
	7 digits	AC (60 Hz)		3.242.201.081		3.242.201.082	3.242.201.084	3.242.201.085
	8 digits	DC	3.242.201.351 <sup>1)</sup>		3.242.201.353		3.242.201.381	

# Hour meters / timers, electromechanical

**Timers with DIN dimensions**    **DIN counters for panel mount, 48 x 24 mm (AC+DC)**    **H37**

**DIN counter for panel mount**  
**mounting clip, on rear,**  
**panel mount dimensions 45 x 22 [1.77 x 0.91]**  
**Type H37.5**



1 Wire entry    2 Screw terminal with flat pin 0.8 x 6.3 [0.031 x 0.25]

Type	Display	Voltage	Art. no.						
			10 ... 30 V	20 ... 30 V	36 ... 80 V	42 ... 48 V	100 ... 130 V	187 ... 264 V	
H37.5	7 digits	AC (50 Hz)		3.245.201.071		3.245.201.072	3.245.201.074	3.245.201.075 <sup>1)</sup>	
	7 digits	AC (60 Hz)		3.245.201.081		3.245.201.082	3.245.201.084	3.245.201.085	
	8 digits	DC	3.245.201.351 <sup>1)</sup>		3.245.201.353		3.245.201.381		