

Hour meters / timers, electromechanical

Timers with DIN dimensions **Small format (AC+DC)** **HK17**



The hour meters HK17 feature a very high shock resistance.

These panel-mount counters are available in many panel sizes. They can be used in many different fields of application. These non-resettable counters are extremely tamper-proof.

Characteristics

- 7 or 8-digit hour meter.
- Without reset.
- High shock resistance.
- Small dimensions.
- Magnified large figures.
- Protection IP65 on the front side.
- UL-approved.

Benefits

- Many different front panel sizes and cut-outs.
- Data retention in case of power failure.
- Long service life.

Applications

General time measurement, maintenance intervals for medical equipment (respiration units, oxygen, dialysis), small appliances, UV lamps, display panels in vehicles.

Order code

HK17 . XX1 . XX . 56¹⁾

a Front bezel

- 0 = without front bezel (through housing)
- 2 = small front bezel with clip
- 4 = front bezel with holes at the side

b Type of housing

- 5 = housing black with welded viewing window

c Color

- 1 = black

d Electrical connection

- 11 = flat pin 0.8 x 6.3 mm [0.031 x 0.25"] (optional)
- 39 = screw terminal (standard) with flat pin 0.8 x 6.3 mm [0.031 x 0.25"]

Accessories				
	Type / size	Description		Order no.
Gasket counter	55 x 26 mm [2.16 x 1.02]	for HK17.451		N511043
	36 x 24 mm [1.42 x 0.94]	for HK17.251.39.56		N511040

1) 56 for front bezel 36 x 24 mm [1.42 x 0.94"]

Hour meters / timers, electromechanical

Timers with DIN dimensions	Small format (AC+DC)	HK17
-----------------------------------	-----------------------------	-------------

Technical data																	
Electrical connection	flat pins 0.8 x 6.3 mm [0.031 x 0.25"] with screw terminals (max. tightening torque 0.8 Nm) or flat pins 0.8 x 6.3 mm [0.031 x 0.25"]																
Power consumption	<table style="width: 100%; border-collapse: collapse;"> <tr><td style="width: 15%;">10 ... 30 V DC</td><td>approx. 500 mW</td></tr> <tr><td>36 ... 80 V DC</td><td>approx. 900 mW</td></tr> <tr><td>100 ... 130 V DC</td><td>approx. 750 mW</td></tr> <tr><td>20 ... 30 V AC, 50 Hz</td><td>approx. 0.3 VA</td></tr> <tr><td>42 ... 48 V AC, 50 Hz</td><td>approx. 0.25 VA</td></tr> <tr><td>100 ... 130 V AC, 50 Hz</td><td>approx. 0.6 VA</td></tr> <tr><td>187 ... 264 V AC, 50 Hz</td><td>approx. 1.2 VA</td></tr> <tr><td>360 ... 440 V AC, 50 Hz</td><td>approx. 1.65 VA</td></tr> </table>	10 ... 30 V DC	approx. 500 mW	36 ... 80 V DC	approx. 900 mW	100 ... 130 V DC	approx. 750 mW	20 ... 30 V AC, 50 Hz	approx. 0.3 VA	42 ... 48 V AC, 50 Hz	approx. 0.25 VA	100 ... 130 V AC, 50 Hz	approx. 0.6 VA	187 ... 264 V AC, 50 Hz	approx. 1.2 VA	360 ... 440 V AC, 50 Hz	approx. 1.65 VA
10 ... 30 V DC	approx. 500 mW																
36 ... 80 V DC	approx. 900 mW																
100 ... 130 V DC	approx. 750 mW																
20 ... 30 V AC, 50 Hz	approx. 0.3 VA																
42 ... 48 V AC, 50 Hz	approx. 0.25 VA																
100 ... 130 V AC, 50 Hz	approx. 0.6 VA																
187 ... 264 V AC, 50 Hz	approx. 1.2 VA																
360 ... 440 V AC, 50 Hz	approx. 1.65 VA																
Rated voltages	<table style="width: 100%; border-collapse: collapse;"> <tr><td style="width: 15%;">AC (50 or 60 Hz)</td><td>20 ... 30 V, 42 ... 48 V, 100 ... 130 V, 187 ... 264 V, 360 ... 440 V</td></tr> <tr><td>DC</td><td>10 ... 30 V, 36 ... 80 V, 100 ... 130 V</td></tr> </table>	AC (50 or 60 Hz)	20 ... 30 V, 42 ... 48 V, 100 ... 130 V, 187 ... 264 V, 360 ... 440 V	DC	10 ... 30 V, 36 ... 80 V, 100 ... 130 V												
AC (50 or 60 Hz)	20 ... 30 V, 42 ... 48 V, 100 ... 130 V, 187 ... 264 V, 360 ... 440 V																
DC	10 ... 30 V, 36 ... 80 V, 100 ... 130 V																
Number of digits	<table style="width: 100%; border-collapse: collapse;"> <tr><td style="width: 15%;">7 at AC</td><td>99999.99 h</td></tr> <tr><td>8 at DC</td><td>999999.99 h</td></tr> </table>	7 at AC	99999.99 h	8 at DC	999999.99 h												
7 at AC	99999.99 h																
8 at DC	999999.99 h																
Accuracy	<table style="width: 100%; border-collapse: collapse;"> <tr><td style="width: 15%;">AC</td><td>supply frequency + 30 ms</td></tr> <tr><td>DC</td><td><0.003 % (at 24 h)</td></tr> </table>	AC	supply frequency + 30 ms	DC	<0.003 % (at 24 h)												
AC	supply frequency + 30 ms																
DC	<0.003 % (at 24 h)																
Height of figures	3.8 x 1.7 mm [0.15 x 0.067"] optical																
Color of figures	white and red on black																
Operating temperature	-15 °C ... +50 °C [+5 °F ... +122 °F] (non-condensing)																
Storage temperature	-40 °C ... +85 °C [-40 °F ... +185 °F]																
Relative humidity at +30 °C [+86 °F]	≤ 80 % (non-condensing)																
Altitude	up to 2000 m [6562']																
Mounting position	any																
Protection	IP65 (front side)																
Device safety	<table style="width: 100%; border-collapse: collapse;"> <tr><td style="width: 15%;">designed to protection class</td><td>EN 61010 part 1</td></tr> <tr><td>2</td><td></td></tr> <tr><td>application area</td><td>pollution level 2</td></tr> </table>	designed to protection class	EN 61010 part 1	2		application area	pollution level 2										
designed to protection class	EN 61010 part 1																
2																	
application area	pollution level 2																
Housing	plastic PC (Polycarbonate) types with protection IP65 are sealed																
Weight	approx. 40 g [1.41 oz]																

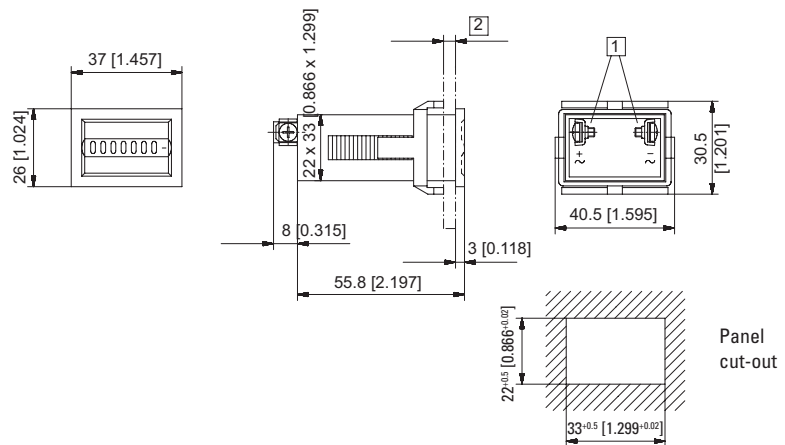
Options	
Counter with flat pin 0.8 x 6.3 mm [0.031 x 0.25"]	Art. no. 3.138.X51.XXX
Approvals	
UL compliant in accordance with	File no. E128604 ¹⁾
CE compliant in accordance with	
EMC Directive	2014/30/EU
RoHS Directive	2011/65/EU
Low Voltage Directive	2014/35/EU
UKCA compliant in accordance with	
EMC Regulations	S.I. 2016/1091
RoHS Regulations	S.I. 2012/3032
Low Voltage Regulations	S.I. 2016/1101

1) The version 360 ... 440 V AC is not UL listed

Hour meters / timers, electromechanical

Timers with DIN dimensions **Small format (AC+DC)** **HK17**

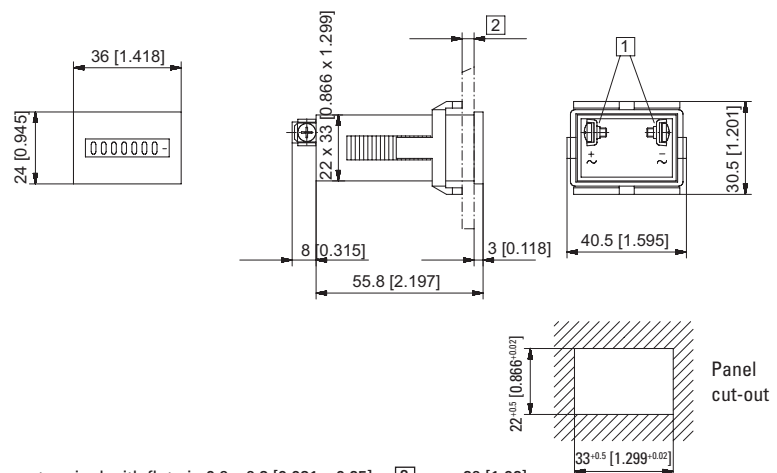
Panel mount with mounting clip
Type **HK17.251.39**



1) Screw terminal with flat pin 0.8 x 6.3 [0.031 x 0.25] 2) max. 26 [1.02]

Type	Display	Voltage	Art. no.						
			10 ... 30 V	20 ... 30 V	36 ... 80 V	42 ... 48 V	100 ... 130 V	187 ... 264 V	360 ... 440 V
HK17.251.39	7 digits	AC (50 Hz)		3.130.251.071		3.130.251.072	3.130.251.074	3.130.251.075 ¹⁾	3.130.251.079
	7 digits	AC (60 Hz)		3.130.251.081		3.130.251.082	3.130.251.084	3.130.251.085	3.130.251.089
	8 digits	DC	3.130.251.351 ¹⁾		3.130.251.353		3.130.251.381		

Panel mount with mounting clips
Type **HK17.251.39.56**



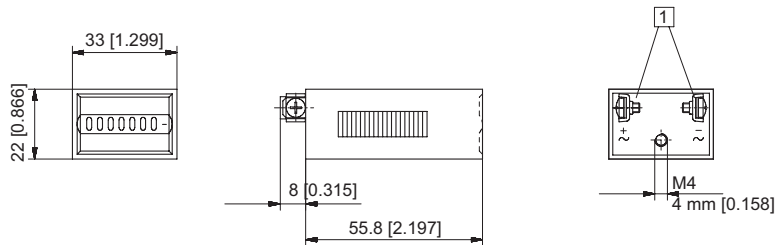
1) Screw terminal with flat pin 0.8 x 6.3 [0.031 x 0.25] 2) max. 26 [1.02]

Type	Display	Voltage	Art. no.						
			10 ... 30 V	20 ... 30 V	36 ... 80 V	42 ... 48 V	100 ... 130 V	187 ... 264 V	360 ... 440 V
HK17.251.39.56	7 digits	AC (50 Hz)		3.130.251.071.056		3.130.251.072.056	3.130.251.074.056	3.130.251.075.056 ¹⁾	3.130.251.079.056
	7 digits	AC (60 Hz)		3.130.251.081.056		3.130.251.082.056	3.130.251.084.056	3.130.251.085.056	3.130.251.089.056
	8 digits	DC	3.130.251.351.056 ¹⁾		3.130.251.353.056		3.130.251.381.056		

Hour meters / timers, electromechanical

Timers with DIN dimensions **Small format (AC+DC)** **HK17**

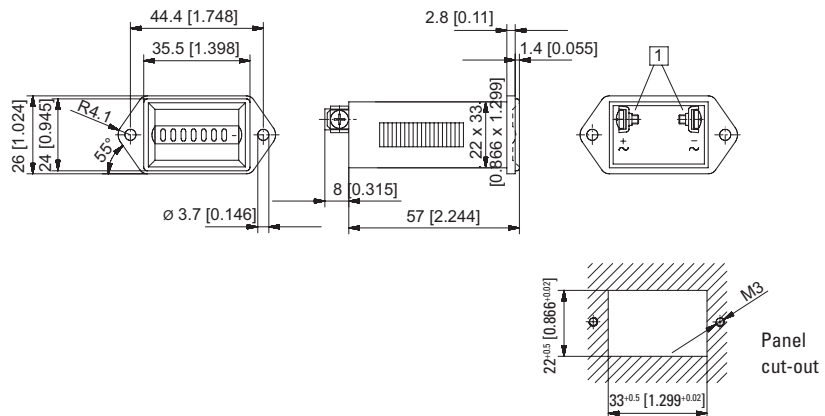
Base mount with central fixing on rear
Type HK17.051.39



1) Screw terminal with flat pin 0.8 x 6.3 [0.031 x 0.25]

Type	Display	Voltage	Art. no.						
			10 ... 30 V	20 ... 30 V	36 ... 80 V	42 ... 48 V	100 ... 130 V	187 ... 264 V	360 ... 440 V
HK17.051.39	7 digits	AC (50 Hz)		3.130.051.071		3.130.051.072	3.130.051.074	3.130.051.075	3.130.051.079
	7 digits	AC (60 Hz)		3.130.051.081		3.130.051.082	3.130.051.084	3.130.051.085	3.130.051.089
	8 digits	DC	3.130.051.351		3.130.051.353		3.130.051.381		

Panel mount with 2 holes at the side
Type HK17.451.39



1) Screw terminal with flat pin 0.8 x 6.3 [0.031 x 0.25]

Type	Display	Voltage	Art. no.						
			10 ... 30 V	20 ... 30 V	36 ... 80 V	42 ... 48 V	100 ... 130 V	187 ... 264 V	360 ... 440 V
HK17.451.39	7 digits	AC (50 Hz)		3.130.451.071		3.130.451.072	3.130.451.074	3.130.451.075 ¹⁾	3.130.451.079
	7 digits	AC (60 Hz)		3.130.451.081		3.130.451.082	3.130.451.084	3.130.451.085	3.130.451.089
	8 digits	DC	3.130.451.351		3.130.451.353		3.130.451.381		