

Hour meters / timers, electromechanical

Micro timers	High shock resistance (DC)	HK47
---------------------	-----------------------------------	-------------



The micro timers HK47 have a very high shock resistance.

Available as panel and PCB mount versions, they can be used in many different fields of application. Thanks to their encapsulated housing, these non-resettable counters are extremely tamper-proof.



Characteristics

- 7-digit micro hour meter.
- Low cost.
- High shock resistance.
- Small dimensions.
- Magnified large figures.
- Different reading possibilities.
- Panel-mount counter with integrated spring clip (HK47.20).
- PCB mount counter (HK47.80).

Benefits

- Low power consumption; suitable for battery operation.
- Solderable and wash-proof (HK47.80).
- Data retention in case of power failure.
- Long service life.

Applications

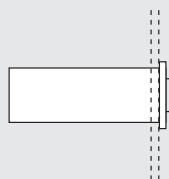
Time registration, maintenance intervals for measuring instruments (respiration units, oxygen, dialysis), small appliances, UV lamps, display panels.

Type series

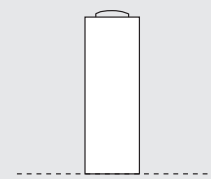
Fig.	Mounting options	Display	Protection	El. connection	Type
1)	Panel mount with latch	front side	IP65, front side	flying leads	HK47.20
2)	PCB mount, upright	front side	IP65, front side/on rear	solder pins	HK47.80

Mounting options and position of the display

1) Panel mount
display front side



2) PCB mount, upright
display front side



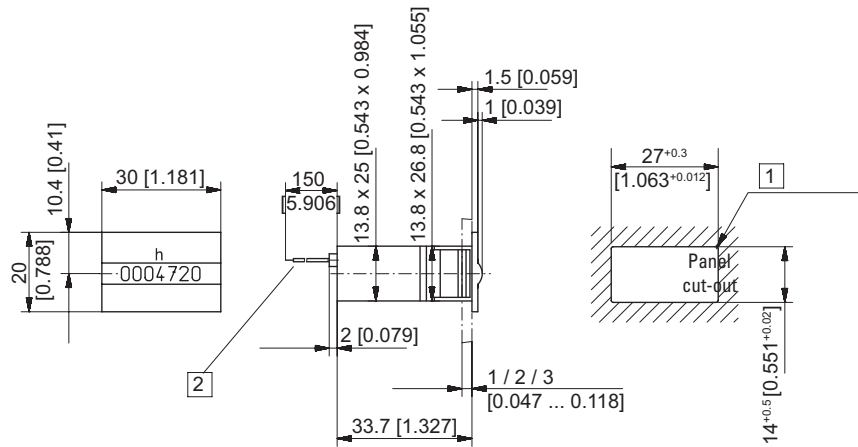
Hour meters / timers, electromechanical

Micro timers		High shock resistance (DC)	HK47
Technical data			
Drive		pulse-driven, precision crystal controller via electronic divider circuit	
Pulse duration		32 ms; every 36 s = 0.01 h power on times < 36 s are not counted	
Electrical connection	HK47.20 HK47.80	flying leads AWG 22, approx. 150 mm [5.91"] long (red +, black -) solder pins ø 0.64 mm [0.025"]	
Display		99999.99 h	
Counting drum		figures white on black, decimal place red on black	
Rated Voltage		4.5 ... 35 V DC	
Residual ripple		< 1 %	
Current consumption		< 1.5 mA (average)	
Power consumption		(count pulses every 36 s with a pulse duration of 32 ms) at $U_B = 5$ V DC typ. 82 mW at $U_B = 12$ V DC typ. 135 mW at $U_B = 24$ V DC typ. 135 mW max. 170 mW	
Accuracy		22.5 ppm at 25 °C [77 °F]	
Height of figures		4 x 1.25 mm [0.16 x 0.049"]	
Reset		no reset	
Operating temperature		-10 °C ... +60 °C [+14 °F ... +140 °F] (non-condensing)	
Storage temperature		-20 °C ... +70 °C [-4 °F ... +158 °F]	
Mounting position		horizontal (other on request)	
Solderable and wash proof version		HK47.80	
Soldering temperature		265 °C [+509 °F], 3 s	
Protection	HK47.80 (acc. to EN 60529)	IP65 IP65 (front side)	
Housing		PC transparent; HK47.80 fully sealed (potted)	
Weight		13 ... 15 g [0.46 ... 0.53 oz]	
Options			
HK47.20, HK47.80		flat pin 0.8 x 2.8 mm [0.031 x 0.11"] and push-on connectors	
HK47.20		solder pins ø 0.64 x 1.2 mm [0.025 x 0.047"]	
HK47.80		flying leads AWG 22 approx. 150 mm [5.91"] long	
Approvals			
CE compliant	in accordance with EMC Directive 2014/30/EU RoHS Directive 2011/65/EU		
UKCA compliant	in accordance with EMC Regulations S.I. 2016/1091 RoHS Regulations S.I. 2012/3032		

Hour meters / timers, electromechanical

Micro timers **High shock resistance (DC)** **HK47**

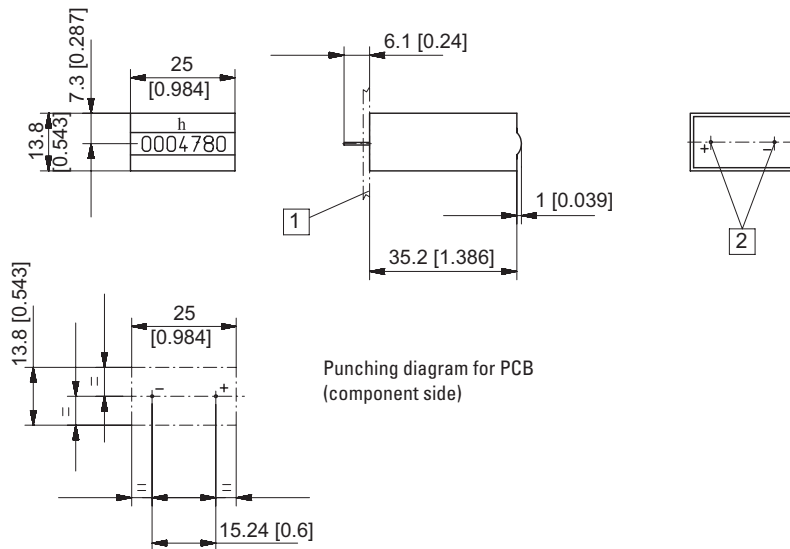
Panel mount
with injection-moulded spring-clips
Type HK47.20



1) R_{max} 0.5 2) Flying leads AWG 22 (red+ / black-)

Type	Display	Art. no.
HK47.20	99999.99 h	4.5 ... 35 V DC 3.060.200.383 ¹⁾

PCB mount
Type HK47.80



1) PCB 2) Solder pins ø 0.64 [0.025]

Type	Display	Art. no.
HK47.80	99999.99 h	4.5 ... 35 V DC 3.060.800.383