

# Energy meters

**Dual function counters**      **Energy and time (AC)**      **HW66M**



The HW66M combination meter consists of an hour meter and an energy meter.

This panel-mounted device requires only a limited installation depth and can be used in a wide variety of application areas. The count pulses can be read out via the SO output.

MID approved



<b>AC</b> 115...230V Supply voltage	 -20°...+55°C Temperature range	 DIN 48 x 48 DIN front bezel	 IP65 High protection level	 12345 12345 No reset	 2 x 6 2 x 6 digit Display	 kWh Energy meter	 Timer
-------------------------------------------	---------------------------------------	------------------------------------	-----------------------------------	--------------------------------	-------------------------------------	-------------------------	-----------

### Product features

- Metering of hours run and energy consumption in one compact device – panel mounting.
- Wide temperature range.
- Remote readout via SO outputs on request.
- Shows both values in parallel.
- Easy-to-read display – can also be read if no voltage present.

### Benefits

- Tamper-proof fixed installation with high degree of protection.
- High measuring accuracy.
- Can be officially calibrated (MID).

### Applications

Dehumidifiers, hire equipment and machinery, air-conditioning, production equipment, current generators.

### Order specifications

Type	Voltage	Order no.	Delivery includes	Type plate
HW66M	230 V AC	<b>3.56M.201.075</b> <sup>1)</sup>	<ul style="list-style-type: none"> <li>• Counter</li> <li>• Flat gasket</li> <li>• Mounting clip</li> <li>• Instruction manual</li> </ul>	If the type plate on the side of the HW66M is no longer legible after the installation, the provided additional type plate can be affixed on the front panel of the device in order to comply if necessary with the legal requirements relating to calibration.

### Accessories

	Type / size	Description	Order no.
<b>Mounting frame</b>		with cut-out 50 x 50 [2.36 x 2.36] via separate adapter also for 45 x 45 [1.77 x 1.77] for snap-on mounting on 35 [1.38] top-hat DIN rail	<b>G300003</b>
<b>Gasket counter</b>	48 x 48 mm [1.89 x 1.89]		<b>N511018</b>

incl. in delivery

1) Standard stock model

# Energy meters

<b>Dual function counters</b>	<b>Energy and time (AC)</b>	<b>HW66M</b>
-------------------------------	-----------------------------	--------------

## Technical data

General technical data	
<b>Supply voltage</b>	230 V AC, -20 % / +15 % 50 Hz
<b>Digits</b>	2 x 6 digit (decimale places red)
<b>Height of figures (optical)</b>	4 x 1.7 mm [0.16 x 0.067"]
<b>Colour of figures</b>	white and red on black
<b>Operating temperature</b>	10 °C ... +55 °C [+14 °F ... +131 °F] (non-condensing)
<b>Storage temperature</b>	-25 °C ... +65 °C [-13 °F ... +149 °F]
<b>Relative humidity at +30 °C [+86 °F]</b>	≤ 80 % (non-condensing)
<b>Altitude</b>	up to 2000 m [6562']
<b>Housing</b>	DIN panel-mount 48 x 48 mm [1.89 x 1.89"]
<b>Depth</b>	55 mm [2.17"]
<b>Protection</b>	IP65, EN 60529 (front side) IP20 (rear side)
<b>Max. core cross-section</b>	inputs/outputs 2.5 mm <sup>2</sup> [AWG 13] SO output 2.5 mm <sup>2</sup> [AWG 13]
<b>LED function</b>	LED on when supply voltage is connected LED blinks when energy is being measured

Approvals	
<b>CE compliant</b> in accordance with	
EMC Directive	2014/30/EU
Measuring Instruments Directive	2014/32/EU
Low Voltage Directive	2014/35/EU
RoHS Directive	2011/65/EU
<b>UKCA compliant</b> in accordance with	
EMC Regulations	S.I. 2016/1091
Measuring Instruments Regulations	S.I. 2016/1153
Low Voltage Regulations	S.I. 2016/1101
RoHS Regulations	S.I. 2012/3032

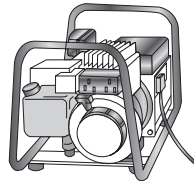
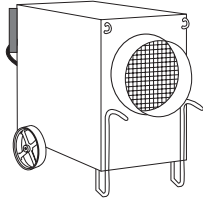
Energy meter	
<b>Display</b>	99999.9 kWh
<b>Accuracy</b>	class B, acc. to MID
<b>Current</b>	I <sub>B</sub> = 5 A, I <sub>max</sub> = 16 A
<b>Current limits</b>	≥ 20 mA up to 16 A
<b>Start current</b>	≥ 20 mA
<b>SO output</b>	1000 pulses/kWh, 5 ... 30 V DC, I <sub>max</sub> = 20 mA
<b>Pulse duration</b>	50 ms

Hour meter	
<b>Display</b>	99999.9 h (0.1 h = 6 min)
<b>Accuracy</b>	± 2 %
<b>SO output</b>	10 imp/h, 5 ... 30 V DC, I <sub>max</sub> = 20 mA
<b>Pulse duration</b>	50 ms
<b>Start (Operating time)</b>	with voltage applied to L <sub>in</sub>
This hour meter shall not be used for electricity consumption calculation.	

# Energy meters

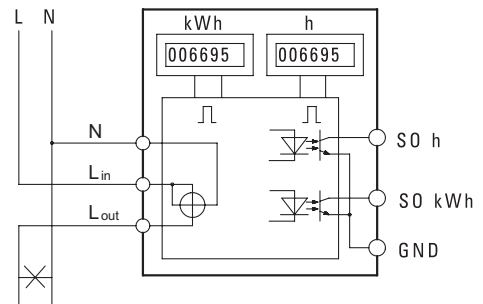
**Dual function counters**      **Energy and time (AC)**      **HW66M**

### Applications



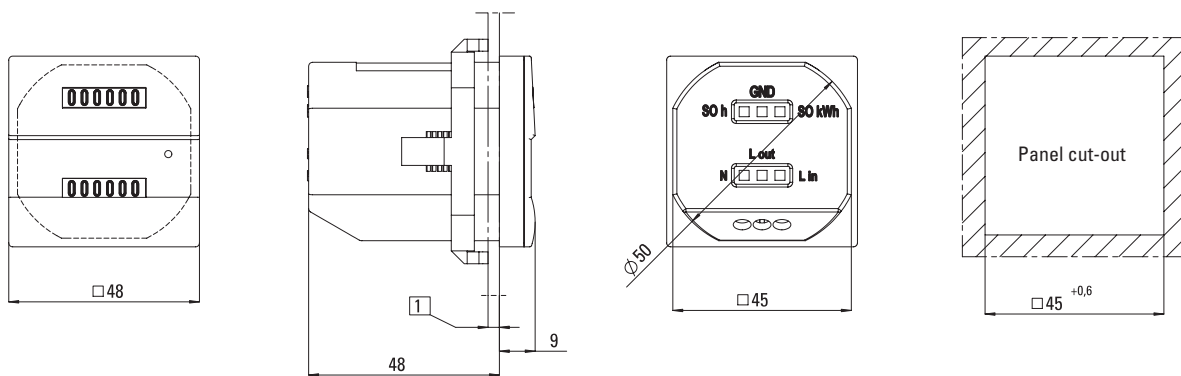
Retro- or standard fitting in dehumidifiers, current generators, air-conditioning, production equipment etc. for the accurate, traceable billing of operating and energy costs – especially also for hire equipment.

### Terminal assignment



### Dimensions

Dimensions in mm



1 max. 6.5