

LUXA 103-200 T

Item no.: 1030031

theben

Presence and motion detectors
Wall installation indoor

Description

- Passive infra-red motion detector for wall installation
- Half-round detection area 200°, Ø 16 m, (100 m²)
- 1 channel light (Triac, 230 V), 2 wire connection, ideal for retrofitting
- Compatible with branded switches, replaces conventional light switches
- Mixed light measurement suitable for incandescent and halogen lamps (no electronic ballast)
- Area limit via lens attachment
- Manual AUTO/ON/OFF switching by simple adjustment of cover flap
- Teach-in of current brightness value
- Advance shut-off warning through dimming 15 seconds before light switches off
- Instant start-up possible via factory preset
- No unintentional adjustment due to covered up controls
- Adjustable brightness switching value and switch-off delay
- Sensitivity can be reduced to limit detection area
- Pulse function
- Test function



Technical data

LUXA 103-200 T	
Operating voltage	230 V AC
Frequency	50 Hz
Stand-by consumption	~0.7 W
Light measurement	Mixed light measurement
Number of channels	1
Type of contact	Triac
Colour	White
Switching output	Light
Installation type	Flush-mounted wall installation
Setting range brightness	10 lx - 1000 lx Infinitely adjustable
Switching capacity	2 A at 230 V AC, cos φ = 1

LUXA 103-200 T	
Detection angle	200°, circular
Installation height	1.2 - 2 m
Light switch-off delay	20 s - 30 min
Incandescent/halogen lamp load	400 W
Lamp types	Incandescent/halogen lamps
Detection range	Semicircular, Semicircular
Remote controlled	-
Ambient temperature	0°C ... 45°C
Protection class	II
Type of protection	IP 40

Subject to technical changes and misprints

additional information at: www.theben.de/product/1030031

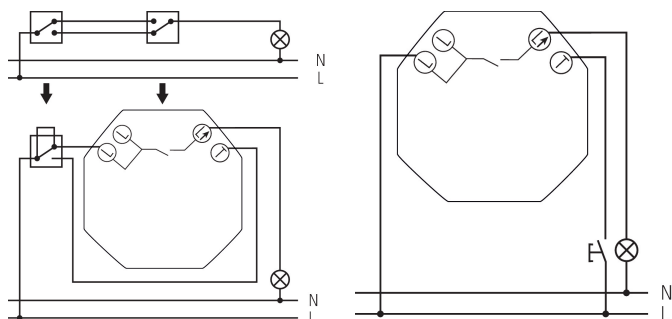
The load data are determined with exemplary selected illuminants and are therefore typical data due to the large number of available products.

LUXA 103-200 T

Item no.: 1030031

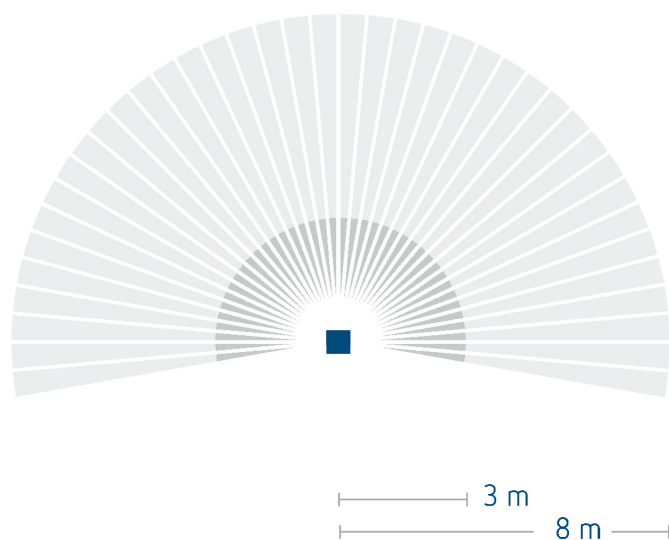


Connection example



Detection range for planning applications at a temperature of 21 °C

Mounting height (A)	Diagonally (t)	Head on to (R)	
2 m	8 m	3.5 m	



Subject to technical changes and misprints

additional information at: www.theben.de/product/1030031

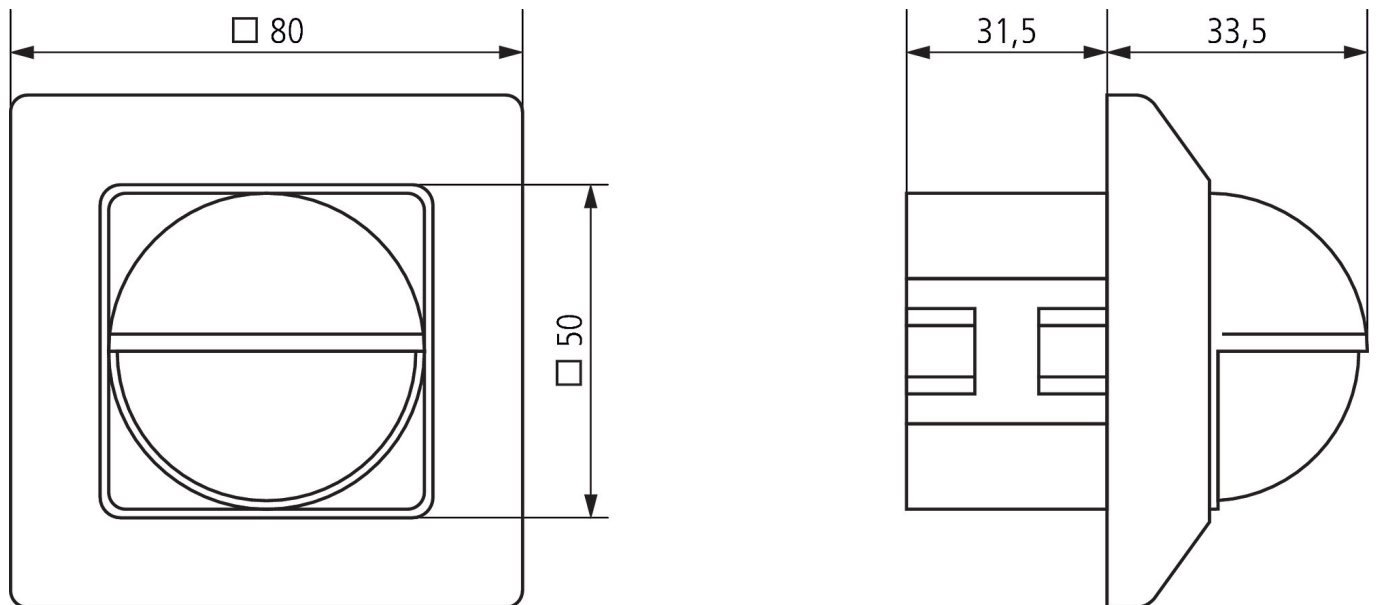
The load data are determined with exemplary selected illuminants and are therefore typical data due to the large number of available products.

LUXA 103-200 T

Item no.: 1030031



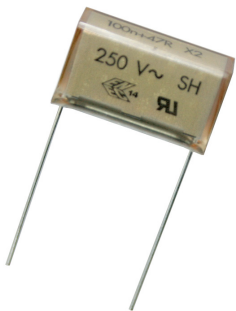
Scale drawings



Accessories

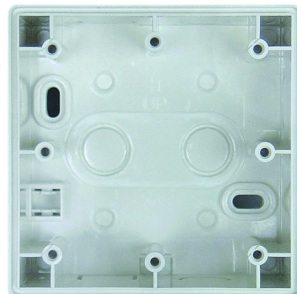
RC filter

Item no.: 9070523



Surface frame LUXA 103-200

Item no.: 9070504



Subject to technical changes and misprints

additional information at: www.theben.de/product/1030031

The load data are determined with exemplary selected illuminants and are therefore typical data due to the large number of available products.