

Preset counters, electromechanical

Standard counters	Subtracting, 6 digits (AC+DC)	MVs 16
--------------------------	--------------------------------------	---------------



The electromechanical preset counters **MVs 16** (with manual and electrical reset) boast a robust construction. They are ideal for use in harsh industrial environments. The subtracting counters are set to a value via the keys on the front, the signal occurs when the count value reaches 0.



Characteristics

- 6-digit subtracting preset counter.
- Manual and electrical reset.
- Potential free changeover (microswitch) on reaching zero.
- Contact switches for "0" count position and remains unswitched until reset to zero.

Benefits


- Delivery complete with push-on connectors.
- Versions with transparent cover or sealing cover on request.

Applications

Piece counting, batch quantities and automation.

Type series	
Description	Type
Front bezel 2 with mounting clip	MVs 16.23

Type / Counting mechanism									
Voltage	Type max.	Pulse frequency min.	Pulse on time min.	Pulse interval	Pulse ratio	On-time approx.	Power consump. ripple max.	Permi. residual (non-condensing)	Operating temp.
V DC	1	25 Hz	24 ms	16 ms	3 : 2	100 %	4 W	48 %	-10°C ... +45°C [+14°F ... +113°F]
V AC	a	18 Hz	22.2 ms	33.3 ms	2 : 3	100 %	4.5 VA	–	-10°C ... +45°C [+14°F ... +113°F]

Accessories					
		Type / size	Description		Order no.
Mounting frame			with cut-out 50 x 50 mm (via supplied adapter also for 45 x 45 mm) for snap-on mounting on 35 mm [1.38"] top-hat DIN rail	chromated	G300003
Gasket counter		58 x 58 mm [2.28 x 2.28"]			N511004

Preset counters, electromechanical

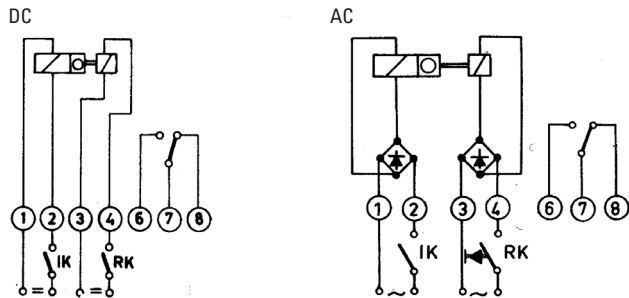
Standard counters	Subtracting, 6 digits (AC+DC)	MVs 16
--------------------------	--------------------------------------	---------------

Technical data	
Electrical connection	tinned flat pins 0.8 x 2.8 mm [0.032 x 0.11"] (with push-on connectors) socket box 0.3 x 2.8 mm [0.012 x 0.11"]
Rated voltages	counting mechanism 12 / 24 / 48 / 115 V DC ±10 % 24 / 48 / 115 / 230 V AC ±10 % reset magnet 24 / 48 / 115 V DC ±10 % 24 / 48 / 115 / 230 V AC ±10 %
High of figures	4 mm
Color of housing	similar to RAL 7001
Color of figures	white on black
Counting mechanism shaft	stainless steel
Mounting position	any
Service life	approx. 100 x 10 ⁶ pulses
Protection	IP40 (front side)
Weight	with electrical reset approx. 170 g [6.00 oz], approx. 210 g [7.41 oz]
EMC standards	EN 55011 class B, EN 61000-6-2, EN 61000-6-3
Device safety	designed to protection class 2 application area pollution level 2
Test voltage	2000 V AC, effective
Switching contact	1 change over contact (micro switch), contact making in 2nd half step at zero
Load (max.) (at resistive load)	AC 250 V AC 2.0 A DC 24 V DC 2.0 A 60 V DC 0.7 A 115 V DC 0.4 A 230 V DC 0.2 A
At inductive load: suitable spark quenching is required on inductive load, reducing the max. current to approx. 60 %	

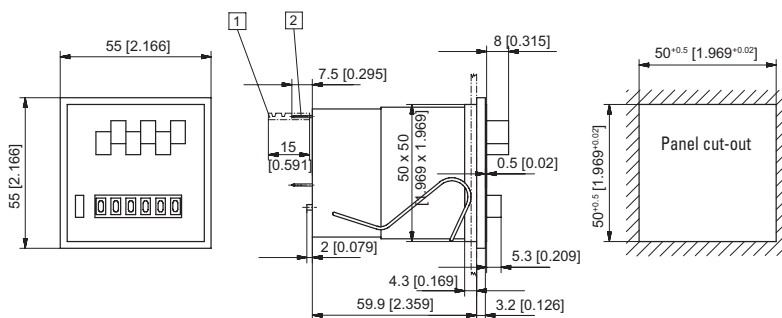
Options	
Electrical reset	on time 20 % max. 1 minute minimum pulse time 0.25 sec. power consumption 10 W at DC, 14 VA at AC

Connection diagrams

Manual and electrical reset



Front bezel 2 with mounting clips, manual and electrical reset Type MVs 16.23



1 Push-on connector 0.8 x 2.8 tinned [0.032 x 0.11] 2 Flat pin 0.8 x 2.8 [0.032 x 0.11] tinned
Color of housing grey (standard)

Type	Voltage	Display	Art. no.		
			24 V	115 V	230 V
MVs 16.23	DC (25 Hz)	6-digits	2.320.230.033	—	—
	AC (18 Hz)		2.320.230.061	2.320.230.064	2.320.230.066