

Pulse counters, pneumatic

Pneumatic counters **4 digits with, 6 digits with/without, 8 digits without reset** **PMk14 / PMk16 / PMk18**



The pneumatic totalizers PMk14, PMk16 (with manual reset) and PMk18 (without reset) boast a robust construction.

They are ideal for use in harsh industrial environments, where the counters are directly driven by compressed air.

Characteristics

- Economical pneumatical totalizers.
- PMk14 and PMk16 with manual reset.
- PMk18 without reset.
- Counting via armature system with membrane.

Benefits

- No leakage.
- Also available with quick connection system.

Applications

Pneumatically operated devices and equipment.

Type series

Description	reset	4 digits	6 digits	8 digits
Panel mount with front bezel and 2 mounting holes	without	–	–	PMk18.10
	manual	PMk14.11	PMk16.11	–
Panel mount for clip mounting	without	–	–	PMk18.20
	manual	PMk14.21	PMk16.21	–

Accessories

	Type / size	Description	Order no.
Gasket counter	39 x 40 mm [1.54 x 1.58]	suitable for PMk14.11	N511011

Technical data

Pneumatic connections	M5 inner thread, 4 mm [0.16"] deep
Air purity	oil free or oil containing, the filter required must eliminate impurities > 40 µm
Mounting position	any
L-signal	1.5 ... 8 bar ±15 %
O-signal	≤ 0.15 bar
Max. safe pressure	9 bar (static)
Max. pulse frequency	at 1.5 bar 50 Hz at 2.5 bar 25 Hz at 6 bar 10 Hz at 8 bar 5 Hz depends on hose length
Pulse ratio	1:1 at max. pulse frequency, depending on the control
Max. Hose length (transmitter - counter, 1.5 bar)	at 50 Hz 0.3 m [11.81"] at 25 Hz 0.4 m [15.75"] at 10 Hz 0.5 m [19.67"]
Height of figures	4 mm [0.16"]
Color of figures	white on black

Technical data

Connection volume	0.19 m ³
Operating temperature	-10 °C ... +60 °C [+14 °F ... +140 °F] (non-condensing)
Protection	with reset IP40 (front side) without reset IP41 (front side)

Options

Connector for polyamide hose	ø 4 x ø 6 mm [0.16 x 0.24"] Art. no.: 3.XXX.XXX.063
Quick connection for tube outside diameter 4 mm	QSM-M5-4 N140620 Art. no.: 3.XXX.XXX.064

Approvals

CE compliant in accordance with	RoHS Directive	2011/65/EU
UKCA compliant in accordance with	RoHS Regulations	S.I. 2012/3032

Pulse counters, pneumatic

Pneumatic counters

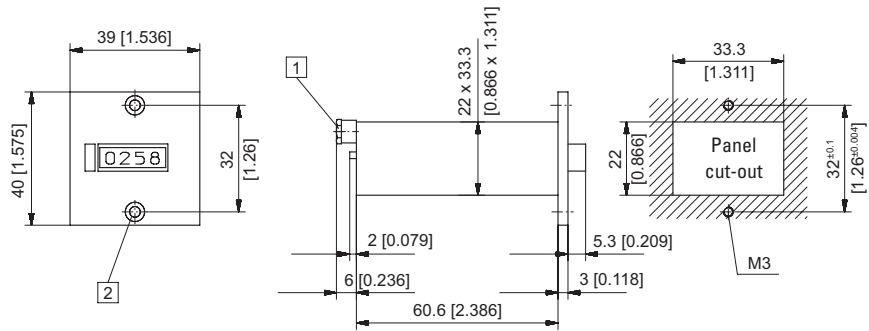
4 digits with, 6 digits with/without, 8 digits without reset

PMk14 / PMk16 / PMk18

Panel mount with front bezel and 2 mounting holes

4 digits, manual reset

Type PMk14.11



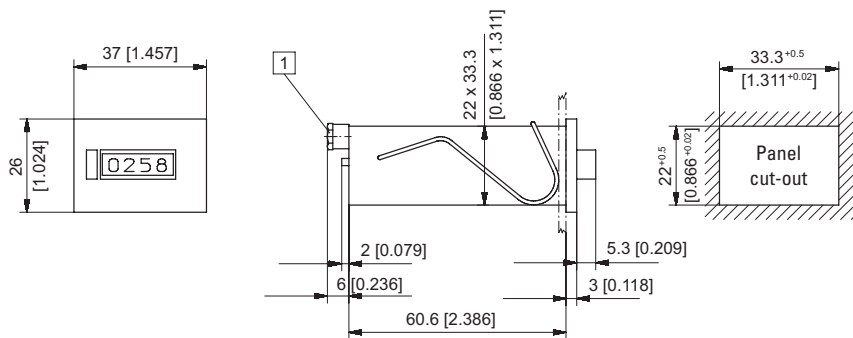
1 Inner thread M5, 4 [0.16] deep 2 Countersinking Af3 DIN 74

Type	Display	Color of housing / Art. no.	
		grey	black
PMk14.11	4 digits, manual reset	3.802.110	3.802.111

Panel mount for clip mounting

4 digits, manual reset

Type PMk14.21



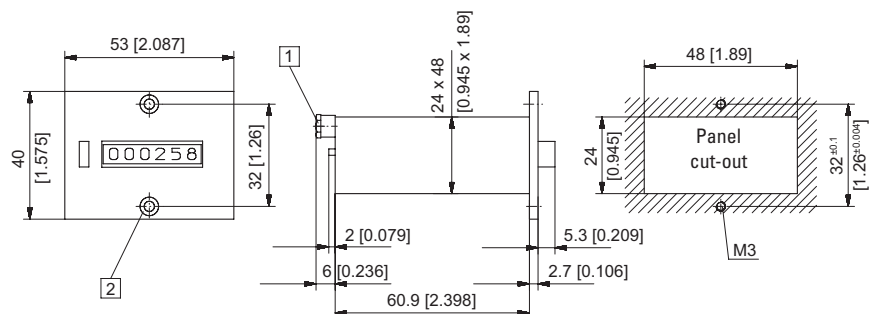
1 Inner thread M5, 4 [0.16] deep

Type	Display	Color of housing / Art. no.	
		grey	black
PMk14.21	4 digits, manual reset	3.802.210	3.802.211

Panel mount with front bezel and 2 mounting holes

6 digits, manual reset

Type PMk16.11



1 Inner thread M5, 4 [0.16] deep 2 Countersinking Af3 DIN 74

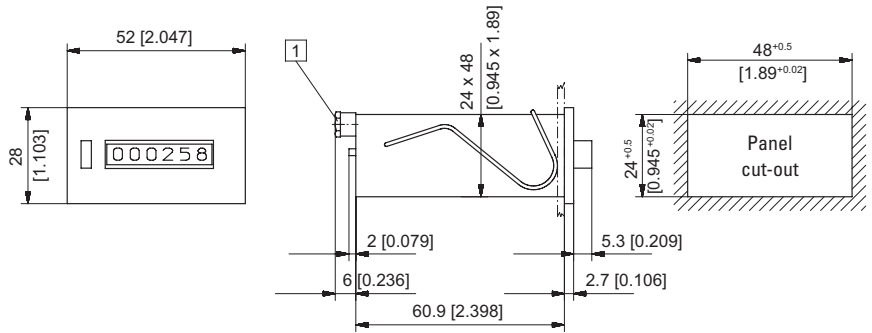
Type	Display	Color of housing / Art. no.	
		grey	black
PMk16.11	6 digits, manual reset	3.804.110 ¹⁾	3.804.111

Pulse counters, pneumatic

Pneumatic counters **4 digits with, 6 digits with/without, 8 digits without reset** **PMk14 / PMk16 / PMk18**

Panel mount for clip mounting
6 digits, manual reset

Type PMk16.21

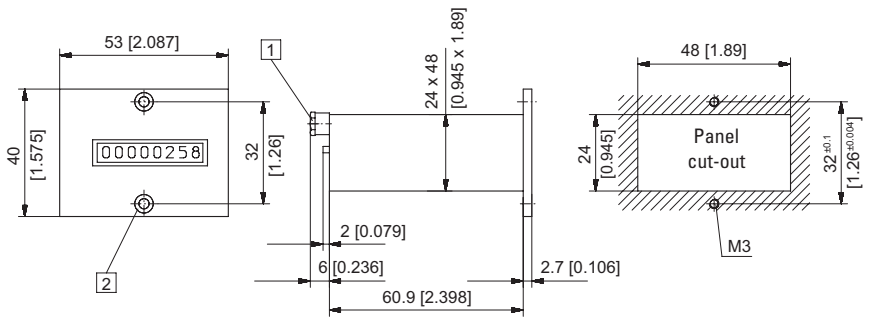


1) Inner thread M5, 4 [0.16] deep

Type	Display	Color of housing / Art. no.	
		grey	black
PMk16.21	6 digits, manual reset	3.804.210	3.804.211

Panel mount with front bezel and 2 mounting holes
8 digits, without reset

Type PMk18.10

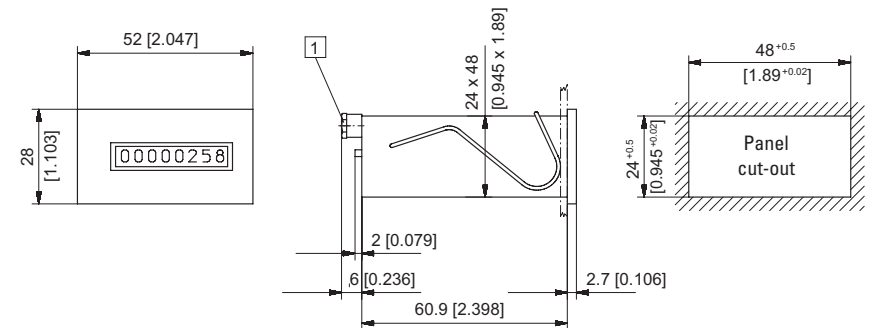


1) Inner thread M5, 4 [0.16] deep 2) Countersinking A3 DIN 74

Type	Display	Color of housing / Art. no.	
		grey	black
PMk18.10	8 digits, without reset	3.805.100	3.805.101

Panel mount for clip mounting
8 digits, without reset

Type PMk18.20



1) Inner thread M5, 4 [0.16] deep

Type	Display	Color of housing / Art. no.	
		grey	black
PMk18.20	8 digits, without reset	3.805.200	3.805.201