

theLeda S20L WH

Item no.: 1020723

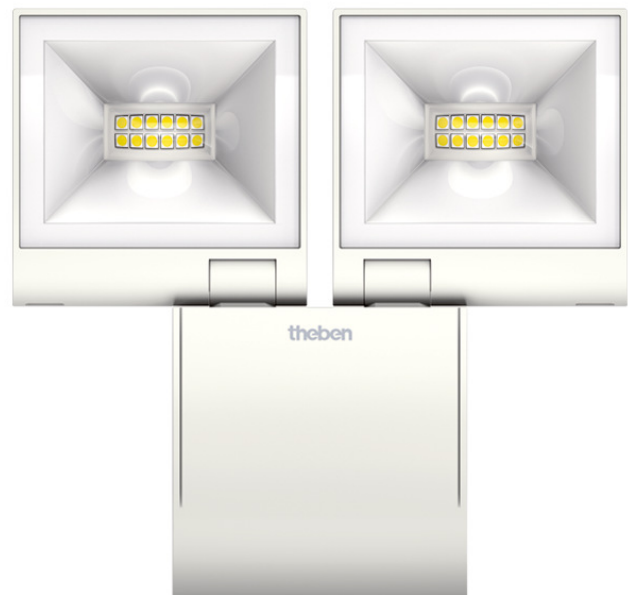
theben

LED-Leuchten

LED-Leuchten ohne Bewegungsmelder

Description

- LED spotlight
- 2 LED spot with 10 W each (equivalent to 2x140 W Halogen spotlight)
- Spotlights can be swivelled $\pm 20^\circ$ horizontally, and adjusted 70° downwards
- Suitable for outdoor use
- Integrated heat sink in housing color
- Direct-LED for maximum light output
- High-tech matrix-LED module
- Single-handed plug-in installation



Technical data

theLeda S20L WH	
Operating voltage	230 V AC
Frequency	50 – 60 Hz
Stand-by consumption	~0.4 W
Colour	White
Installation type	Wall installation
LED output (lighting current)	2 x 840 lm

theLeda S20L WH	
Colour temperature	4000 K, neutral white
Installation height	2 – 4 m
Ambient temperature	-20°C ... 45°C
Protection class	I
Type of protection	IP 55

Subject to technical changes and misprints

additional information at: www.theben.de/product/1020723

The load data are determined with exemplary selected illuminants and are therefore typical data due to the large number of available products.

08/03/2023

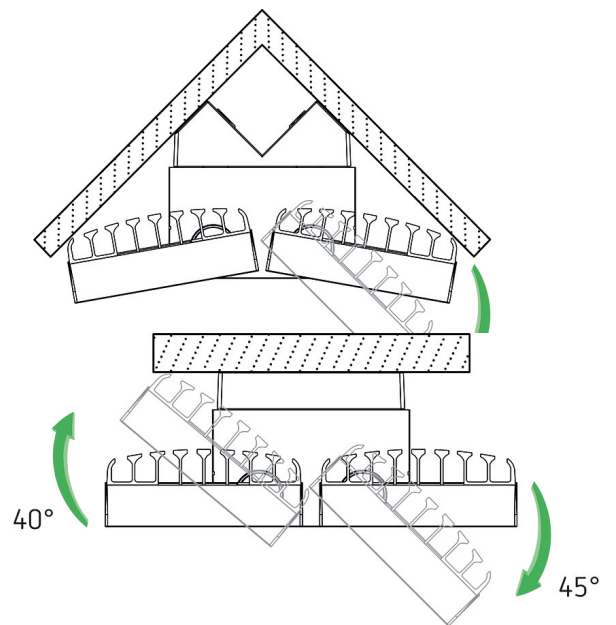
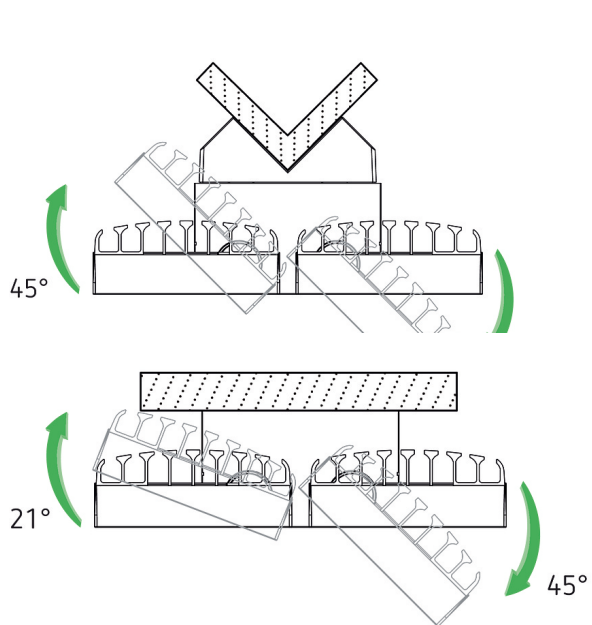
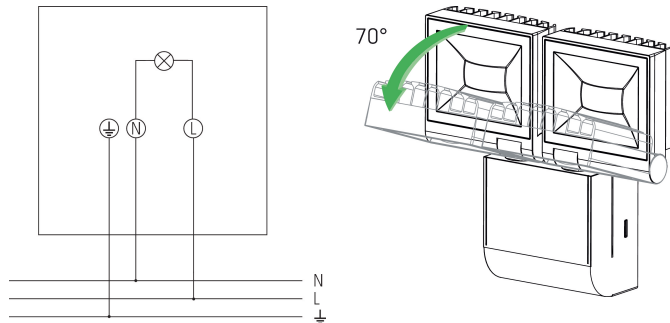
Page 1 of 3

theLeda S20L WH

Item no.: 1020723



Connection example



Subject to technical changes and misprints

additional information at: www.theben.de/product/1020723

The load data are determined with exemplary selected illuminants and are therefore typical data due to the large number of available products.

08/03/2023

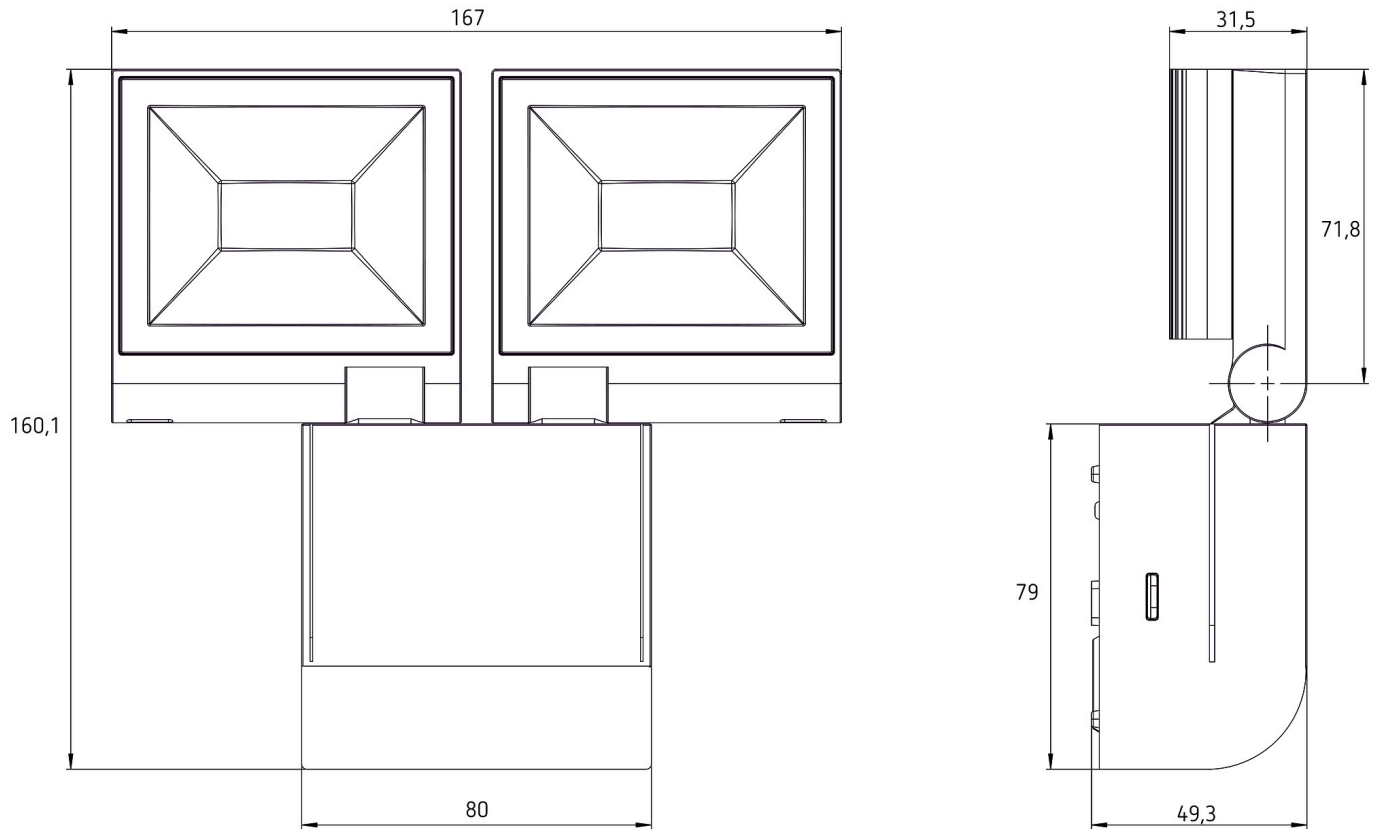
Page 2 of 3

theLeda S20L WH

Item no.: 1020723



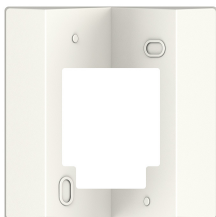
Scale drawings



Accessories

Corner angle 10 WH

Item no.: 9070969



Spacer 10 WH

Item no.: 9070971



Subject to technical changes and misprints

additional information at: www.theben.de/product/1020723

The load data are determined with exemplary selected illuminants and are therefore typical data due to the large number of available products.

08/03/2023

Page 3 of 3