

theLeda S10 W WH

Item no.: 1020931

theben

LED-Leuchten

LED-Leuchten mit Bewegungsmelder

Description

- LED spotlight with motion detector
- 1 LED spot with 10 W (equivalent to 140 W Halogen spotlight)
- Spotlight can be swivelled $\pm 40^\circ$ horizontally, and adjusted 70° downwards, wall-wash functionality by swivelling 180°
- Suitable for outdoor use
- Automatic lighting control based on presence and brightness
- 180° detection angle at a detection range of 10 m
- Area limit via lens attachment
- Orientation light with configurable dimming level
- Short and extended function via manual control system
- Integrated heat sink in housing color
- Direct-LED for maximum light output
- High-tech matrix-LED module
- Single-handed plug-in installation
- Instant start-up possible via factory preset
- Adjustable lux value and switch-off delay
- Settings can be changed without tools



Technical data

theLeda S10 W WH	
Operating voltage	230 V AC
Frequency	50 – 60 Hz
Stand-by consumption	~0.4 W
Colour	White
Installation type	Wall installation
LED output (lighting current)	770 lm
Colour temperature	3000 K, warmwhite
Setting range brightness	5 – 200 lx

theLeda S10 W WH	
Detection angle	180°
Installation height	1.8 – 2.5 m
Light switch-off delay	2 s-30 min
Ambient temperature	$-20^\circ\text{C} \dots 45^\circ\text{C}$
Protection class	I
Type of protection	IP 55

Subject to technical changes and misprints

additional information at: www.theben.de/product/1020931

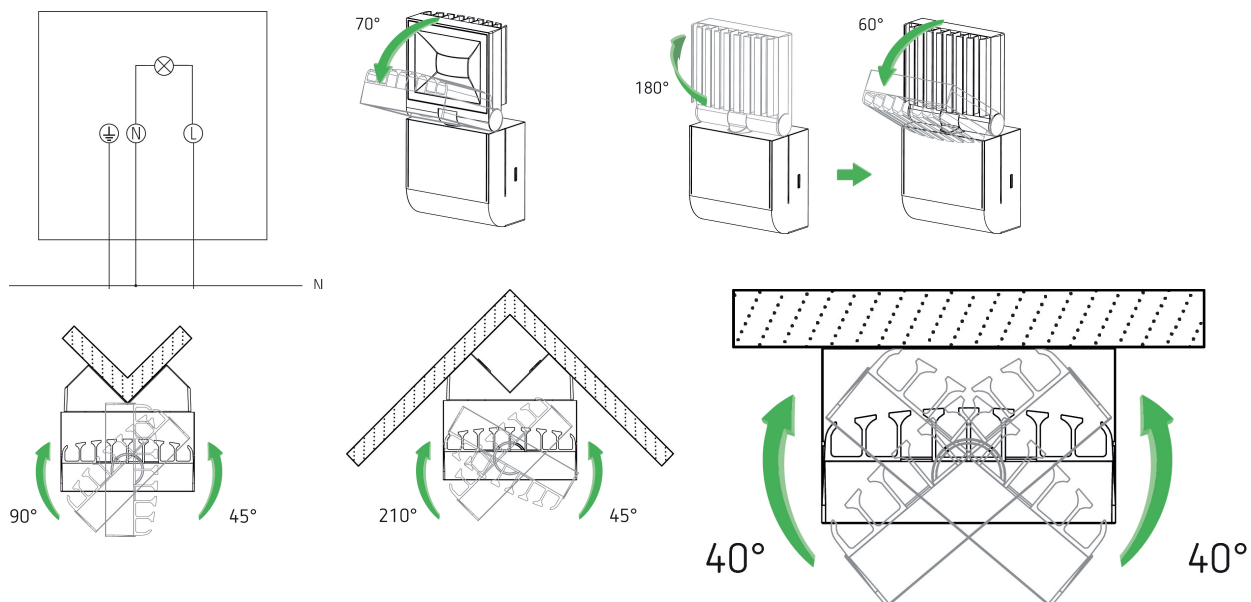
The load data are determined with exemplary selected illuminants and are therefore typical data due to the large number of available products.

theLeda S10 W WH

Item no.: 1020931

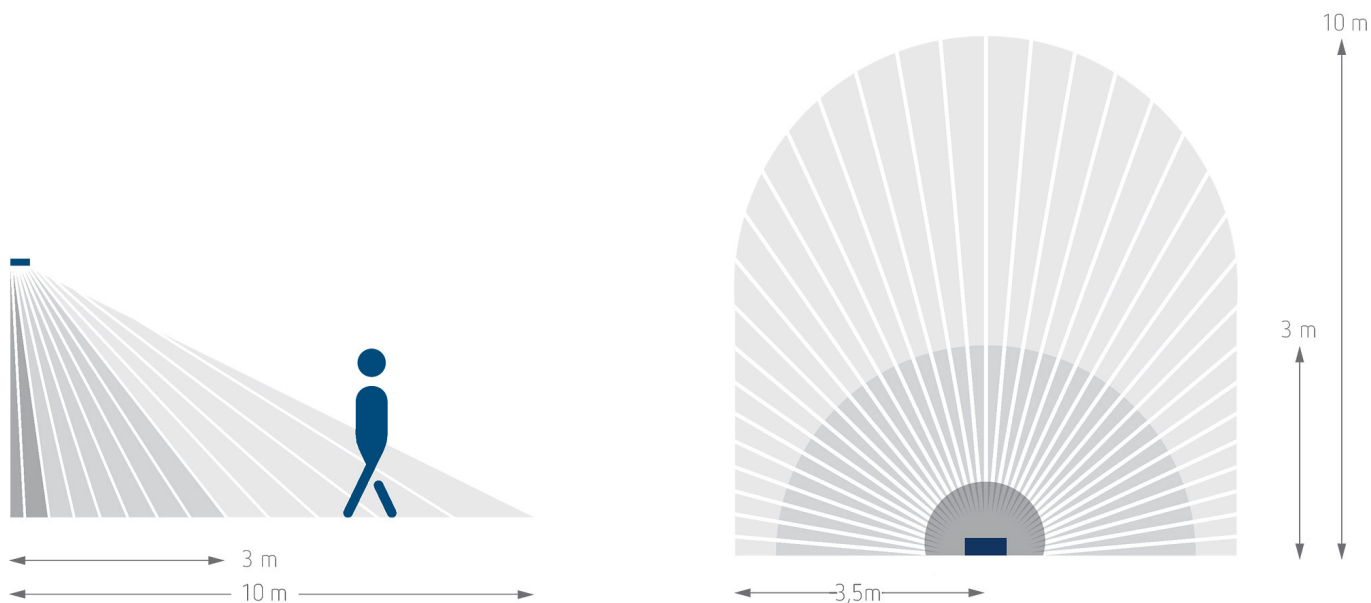


Connection example



Detection range for planning applications at a temperature of 21 °C

Mounting height (A)	Diagonally (t)	Head on to (R)
2.5 m	10 m	3.5 m



Subject to technical changes and misprints

additional information at: www.theben.de/product/1020931

The load data are determined with exemplary selected illuminants and are therefore typical data due to the large number of available products.

08/03/2023

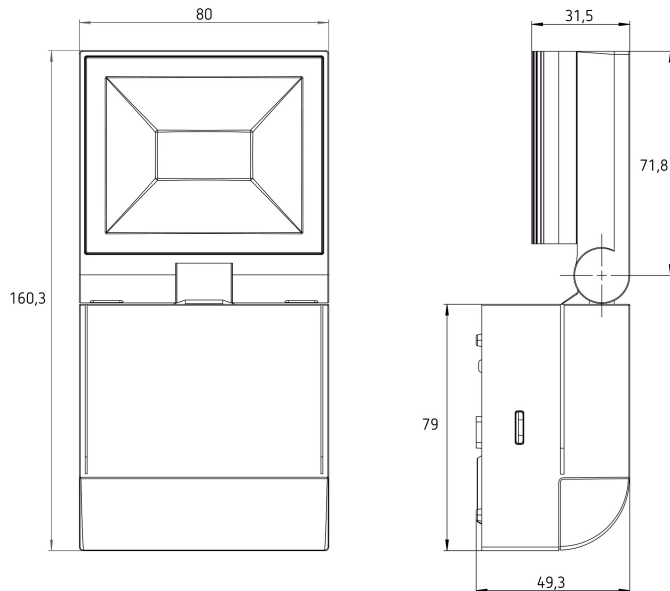
Page 2 of 3

theLeda S10 W WH

Item no.: 1020931

theben

Scale drawings



Accessories

Corner angle 10 WH

Item no.: 9070969



Spacer 10 WH

Item no.: 9070971



Subject to technical changes and misprints

additional information at: www.theben.de/product/1020931

The load data are determined with exemplary selected illuminants and are therefore typical data due to the large number of available products.

08/03/2023

Page 3 of 3