

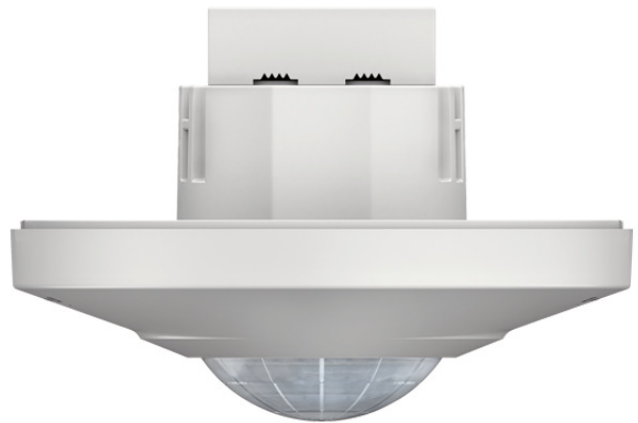
# LUXA 103-100 UA WH

Item no.: 1030045

## Präsenzmelder & Bewegungsmelder Deckenmontage innen

### Description

- Passive infra-red motion detector
- Circular detection area 360°, up to Ø 12 m (113 m<sup>2</sup>) at mounting height 3 m
- 1 channel light (Relay, 230 V) with acoustic function
- Activation by the PIR sensor and deactivation by the microphone (microphone can also be deactivated)
- Flexible installation options, ceiling installation using clamping brackets as well as flush-mounted or surface mounting using the optional surface frame
- Mixed light measurement suitable for the control of fluorescent, incandescent and halogen lamps
- Zero-cross switching
- Detection area can be limited using three enclosed segments
- Instant start-up possible via factory preset
- No unintentional adjustment due to covered up controls
- Adjustable brightness switching value and switch-off delay
- Sensitivity can be reduced to limit detection area
- Pulse function
- Test function



### Technical data

LUXA 103-100 UA WH	
Operating voltage	230 V AC
Frequency	50 – 60 Hz
Stand-by consumption	~0.5 W
Light measurement	Mixed light measurement
Number of channels	1
Colour	White
Switching output	Light
Installation type	Ceiling installation
Setting range brightness	10 – 2000 lx
Detection angle	360°
Installation height	2.5 – 3 m
Light switch-off delay	5s-30 min
Incandescent/halogen lamp load	2000 W

LUXA 103-100 UA WH	
Fluorescent lamp load (conventional) parallel-corrected	900 VA 100 µF
LED lamp < 2 W	35 W
LED lamp 2-8 W	400 W
LED lamp > 8 W	400 W
Lamps	Incandescent/halogen lamps, fluorescent lamps, Energy saving lamps, LEDs
Detection range	113 m <sup>2</sup> (Ø 12 m   360°)
Remote controlled	-
Ambient temperature	-20°C ... 45°C
Protection class	II
Type of protection	IP 40 (when fitted)

Subject to technical changes and misprints

additional information at: [www.theben.de/product/1030045](http://www.theben.de/product/1030045)

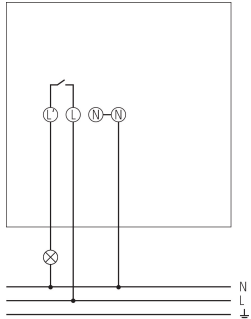
The load data are determined with exemplary selected illuminants and are therefore typical data due to the large number of available products.

# LUXA 103-100 UA WH

Item no.: 1030045

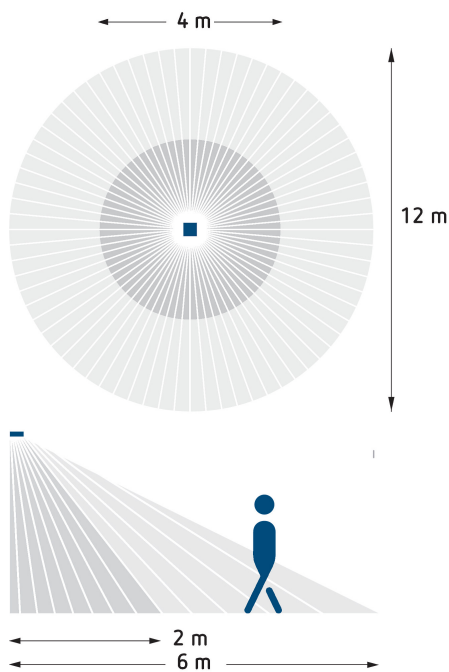


## Connection example



## Detection range for planning applications at a temperature of 21 °C

Mounting height (A)	Diagonally (t)	Head on to (R)
2.5 m	12 m	4 m



Subject to technical changes and misprints

additional information at: [www.theben.de/product/1030045](http://www.theben.de/product/1030045)

The load data are determined with exemplary selected illuminants and are therefore typical data due to the large number of available products.

09/03/2023

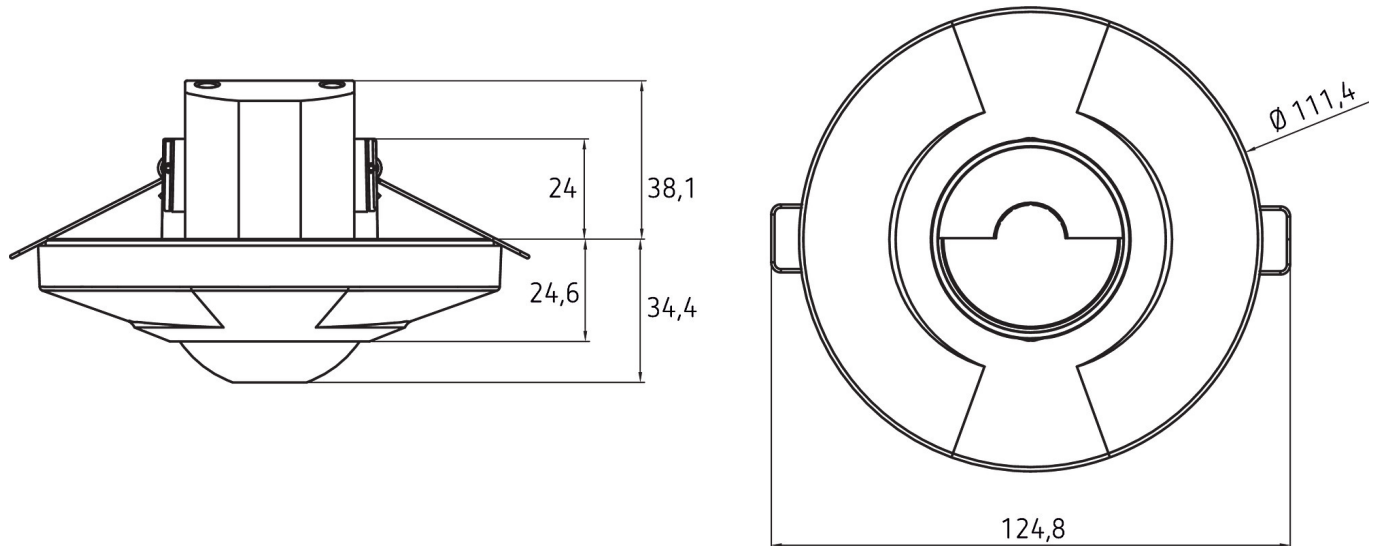
Page 2 of 3

# LUXA 103-100 UA WH

Item no.: 1030045

**theben**

## Scale drawings



## Accessories

Surface frame LUXA 103-100 U  
Item no.: 9070986

Surface frame 100A WH  
Item no.: 9070819



Subject to technical changes and misprints

additional information at: [www.theben.de/product/1030045](http://www.theben.de/product/1030045)

The load data are determined with exemplary selected illuminants and are therefore typical data due to the large number of available products.