

LUNA 110 EL 24V

Item no.: 1104200

Time and light control Twilight switches

Description

- Analogue twilight switch
- External light sensor included in delivery
- Adjustable On and Off switching delay
- to avoid faulty operation caused by lightning, car headlights etc.
- Display of channel and switching status
- DuoFix spring terminals
- for 2 conductors per connection terminal
- Extended brightness levels and adjustable delay
- Five adjustable brightness levels for simple setting of lux value
- Zero-cross switching for relay-saving switching and high lamp loads (not with 24 V devices)



Technical data

| LUNA 110 EL 24V | |
|--------------------------|-------------------------|
| Operating voltage | 12 – 24 V UC |
| Frequency | 50 – 60 Hz |
| Number of channels | 1 |
| Stand-by consumption | ~0.2 W |
| Setting range brightness | 2 – 50000 lx |
| Switch-on delay | 0 – 20 min |
| Switch-off delay | 0 – 20 min |
| Type of contact | Changeover contact |
| Switching output | Potential-free |
| Width | 2 modules |
| Installation type | DIN rail |
| Type of connection | DuoFix spring terminals |
| Keyboards | 3 potentiometers |

| LUNA 110 EL 24V | |
|--|--|
| Switching capacity | 16 A at 250 V AC, $\cos \varphi = 1$, 2 AX Fluorescent lamp load |
| Switching capacity min. | <10 mA |
| Incandescent/halogen lamp load | 1400 W |
| Halogen lamp load | 1400 W |
| Fluorescent lamp load (conventional) parallel-corrected | 58 W 7 μ F |
| LED lamp < 2 W | 6 W |
| LED lamp 2-8 W | 20 W |
| LED lamp > 8 W | 24 W |
| Energy saving lamps | 45 W |
| Fluorescent lamp load (electronic ballast) | 180 W |

Subject to technical changes and misprints

additional information at: www.theben.de/product/1104200

The load data are determined with exemplary selected illuminants and are therefore typical data due to the large number of available products.

LUNA 110 EL 24V

Item no.: 1104200

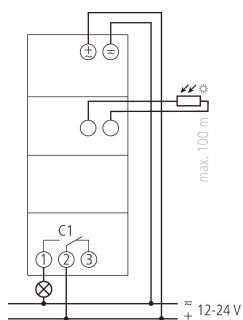
theben

Technical data

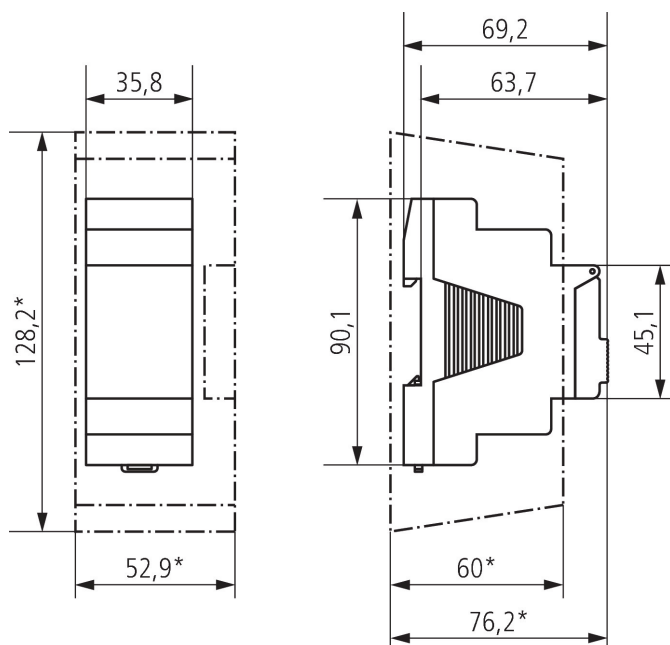
| LUNA 110 EL 24V | |
|---------------------------------|--|
| Sensor (included) | 24 V UC Flush-mounted light sensor |
| Housing and insulation material | High-temperature resistant, self-extinguishing thermoplastic |
| Ambient temperature | -30°C ... 55°C |

| LUNA 110 EL 24V | |
|-----------------------------|---------------------|
| Type of protection | IP 20, sensor IP 65 |
| Protection class | II, Sensor III |
| Max. cable length to sensor | 100 m |

Connection example



Scale drawings



Subject to technical changes and misprints

additional information at: www.theben.de/product/1104200

The load data are determined with exemplary selected illuminants and are therefore typical data due to the large number of available products.

05/08/2022

Page 2 of 3

LUNA 110 EL 24V

Item no.: 1104200

theben

Accessories

Analogue surface-mounted light sensor

Item no.: 9070416



Analogue flush-mounted light sensor

Item no.: 9070011



Wall mounting kit 35 mm

Item no.: 9070064



Front panel kit

Item no.: 9070001



Subject to technical changes and misprints

additional information at: www.theben.de/product/1104200

The load data are determined with exemplary selected illuminants and are therefore typical data due to the large number of available products.

05/08/2022

Page 3 of 3