

BZ 146

Item no.: 1460000

theben

Time and light control Hour counters

Description

- Digital hour counter
- Installation cutout 22 mm x 45 mm
- With EEPROM memory provides reliable operating data capture even with loss of power
- Control panel installation
- 7-digit high-contrast LCD display
- Screw terminals
- Onscreen progress display
- Tension clamp brackets for walls up to 5mm thick
- Quartz controlled version

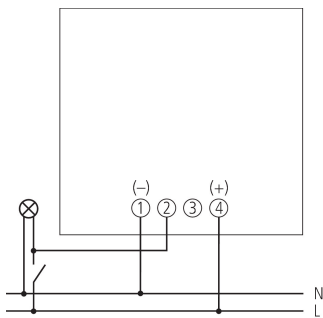


Technical data

BZ 146	
Operating voltage	110 – 240 V AC
Frequency	50 – 60 Hz
Installation type	Front panel installation
Size front plate	24 x 48 mm
Size of Installation section	22 x 45 mm

BZ 146	
Counting range	99 999,99 hours without reset
Type of protection	IP 65
Protection class	II according to EN 61010
Ambient temperature	-30°C ... 70°C

Connection example



Subject to technical changes and misprints

additional information at: www.theben.de/product/1460000

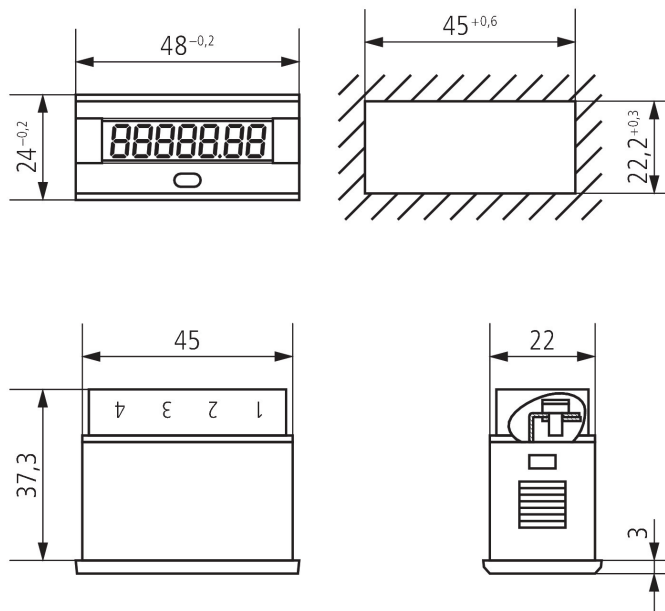
The load data are determined with exemplary selected illuminants and are therefore typical data due to the large number of available products.

BZ 146

Item no.: 1460000



Scale drawings



Subject to technical changes and misprints

additional information at: www.theben.de/product/1460000

The load data are determined with exemplary selected illuminants and are therefore typical data due to the large number of available products.

05/08/2022

Page 2 of 2