

# SUL 189 hw

Item no.: 1890108

# theben

Time and light control  
Analogue time switches

## Description

- Analogue time switch
- Daily/weekly program and 1/2 day OFF function for the weekdays
- 1 channel (with series connection of 2 the contacts)
- With power reserve (NiMH rechargeable battery)
- Quartz controlled
- Tappets and turning segments
- Shortest switching time: 30 minutes (12 hours for the 1/2 day OFF function)
- Switching status display
- 6 tappets included in delivery



## Technical data

SUL 189 hw	
Operating voltage	230 V AC
Frequency	50 – 60 Hz
Number of channels	1
Installation type	Front panel installation/wall installation
Type of connection	Screw terminals
Program	Daily program
Power reserve	3 days full power reserve approx. 3 days after connection to operating voltage

SUL 189 hw	
Switching capacity at 250 V AC, $\cos \varphi = 1$	10 A
Switching capacity at 250 V AC, $\cos \varphi = 0,6$	2 A
Shortest switching times	30 min, 12 h
Programmable every	15 min, 12 h
Time accuracy at 25 °C	$\leq \pm 1$ s/day (quartz)
Type of contact	Changeover contact
Switching output	Potential-free and phase-independent
Stand-by consumption	~0.5 W

Subject to technical changes and misprints

additional information at: [www.theben.de/product/1890108](http://www.theben.de/product/1890108)

The load data are determined with exemplary selected illuminants and are therefore typical data due to the large number of available products.

05/08/2022  
Page 1 of 3

# SUL 189 hw

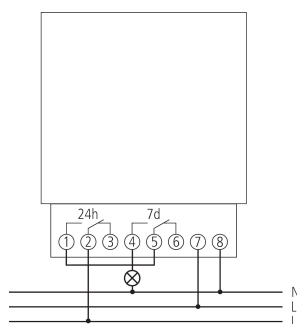
Item no.: 1890108



## Technical data

SUL 189 hw		SUL 189 hw	
Test approval	EMV	Protection class	II according to EN 60 730-1
Housing and insulation material	High-temperature resistant, self-extinguishing thermoplastic	Ambient temperature	-10°C ... 55°C
Type of protection	IP 20		

## Connection example



Subject to technical changes and misprints

additional information at: [www.theben.de/product/1890108](http://www.theben.de/product/1890108)

The load data are determined with exemplary selected illuminants and are therefore typical data due to the large number of available products.

05/08/2022

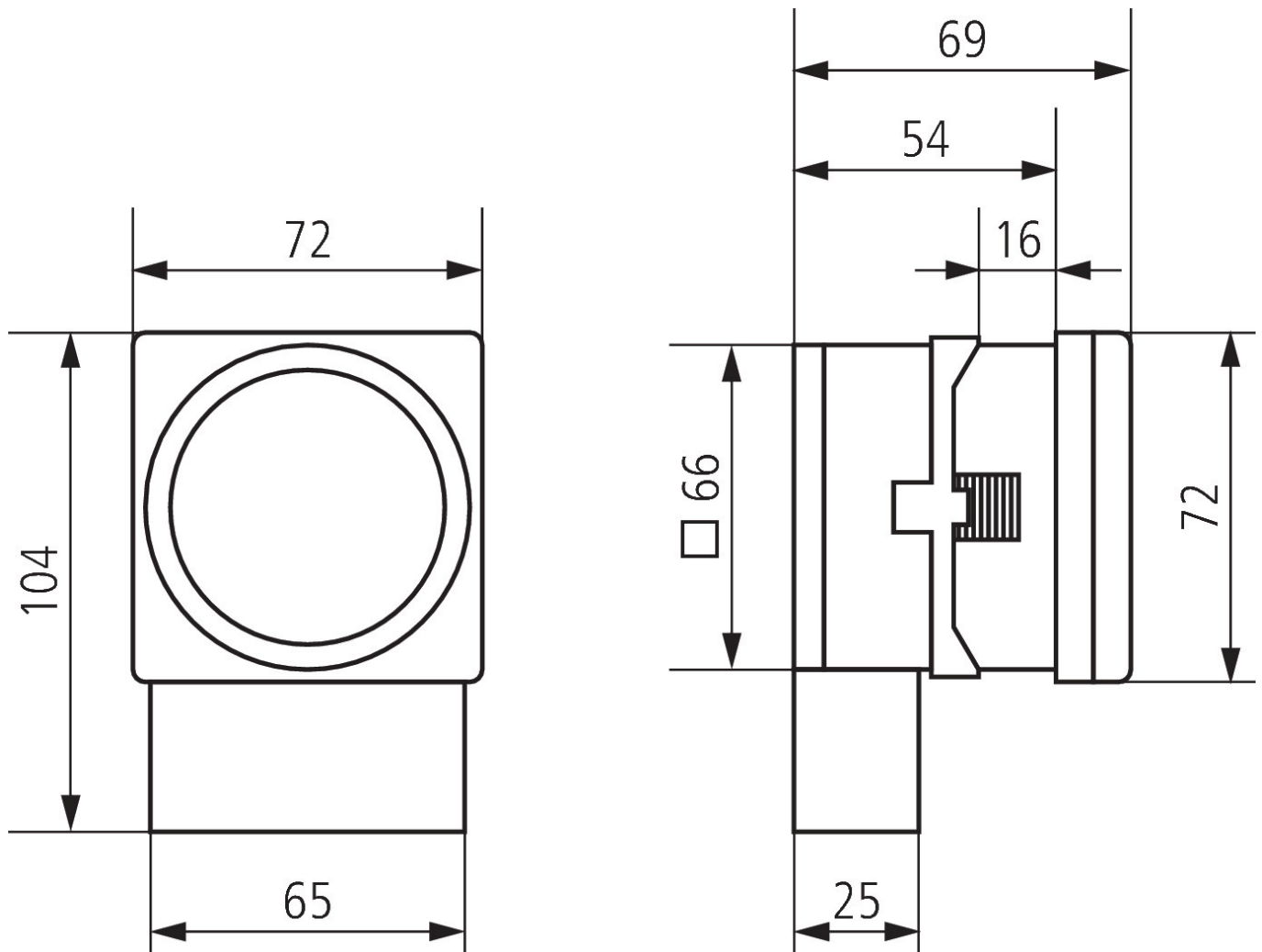
Page 2 of 3

# SUL 189 hw

Item no.: 1890108

**theben**

## Scale drawings



## Accessories

Snap-on mounting 72 x 72

Item no.: 9070071



Subject to technical changes and misprints

additional information at: [www.theben.de/product/1890108](http://www.theben.de/product/1890108)

The load data are determined with exemplary selected illuminants and are therefore typical data due to the large number of available products.

05/08/2022

Page 3 of 3