

MEM 190 a

Item no.: 1900001

theben

Time and light control
Analogue time switches

Description

- Analogue time switch
- 1 channel
- Weekly program
- With power reserve
- 84 switching segments
- Quartz controlled
- Shortest switching time: 2 hours
- Screw terminals
- Manual switch with 3 positions: Permanent ON/AUTO/continuous OFF



Technical data

MEM 190 a	
Operating voltage	230 – 240 V AC
Frequency	50 – 60 Hz
Number of channels	1
Width	1 modules
Installation type	DIN rail
Type of connection	Screw terminals
Drive	Quartz-controlled stepper motor
Program	Weekly program
Power reserve	3 days
Switching capacity at 250 V AC, cos φ = 1	16 A

MEM 190 a	
Switching capacity at 250 V AC, cos φ = 0,6	4 A
Incandescent/halogen lamp load	1000 W
Energy saving lamps	150 W
LED lamp < 2 W	30 W
LED lamp 2-8 W	300 W
LED lamp > 8 W	300 W
Shortest switching times	2 h
Programmable every	2 h
Time accuracy at 25 °C	$\leq \pm 1$ s/day (quartz)
Type of contact	NO contact

Subject to technical changes and misprints

additional information at: www.theben.de/product/1900001

The load data are determined with exemplary selected illuminants and are therefore typical data due to the large number of available products.

MEM 190 a

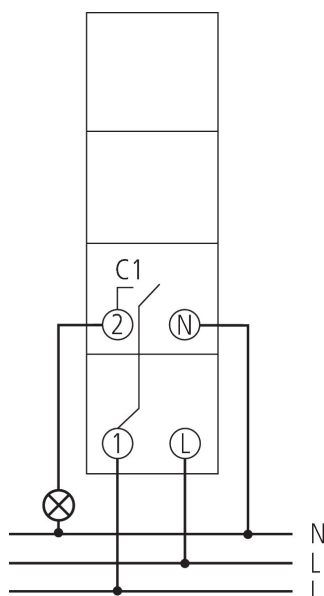
Item no.: 1900001

Technical data

MEM 190 a	
Switching output	Potential-free and phase-independent
Number of switching segments	84
Stand-by consumption	~0.5 W
Capacity loss max.	0.7 W
Test approval	VDE

MEM 190 a	
Housing and insulation material	High-temperature resistant, self-extinguishing thermoplastic
Type of protection	IP 20
Protection class	II according to EN 60 730-1
Ambient temperature	-10°C ... 50°C

Connection example



Subject to technical changes and misprints

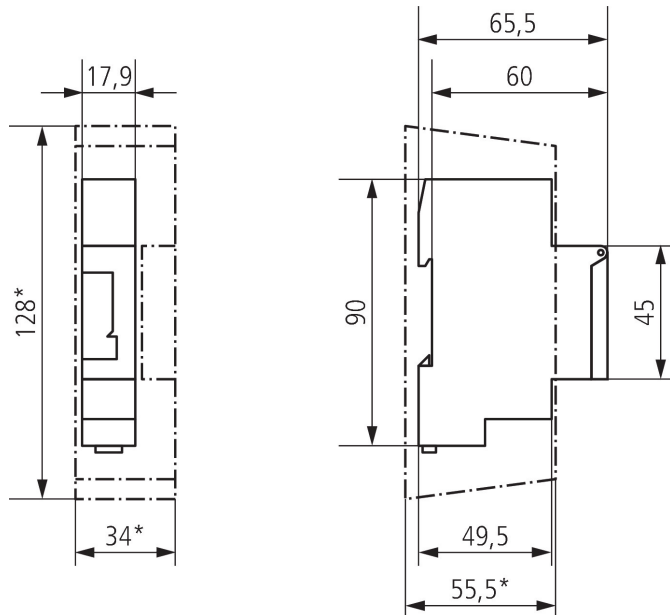
additional information at: www.theben.de/product/1900001

The load data are determined with exemplary selected illuminants and are therefore typical data due to the large number of available products.

05/08/2022

Page 2 of 3

Scale drawings



Accessories

Wall mounting kit 17,5 mm
Item no.: 9070065



Front panel kit
Item no.: 9070001

