

thePrema P360 Slave E UP WH

Item no.: 2070130

theben

Präsenzmelder & Bewegungsmelder
Deckenmontage innen

Description

- Passive infra-red presence detector for flush-mounted ceiling installation
- Square detection area 360°
- Slave version for thePrema master presence detectors
- Ready for immediate use due to factory preset
- Test mode for checking function and detection area
- Extension of detection area via Master/Slave or Master/Master switching, a maximum of 10 detectors can be switched in parallel with each other
- Ceiling installation in flush-mounted socket
- Ceiling installation also possible with surface-mounted frame
- User remote control theSenda S, management remote control SendaPro (optional)
- * According to warranty terms and conditions, see www.theben.de/en/guarantee



5 years
guarantee*



Subject to technical changes and misprints

additional information at: www.theben.de/product/2070130

The load data are determined with exemplary selected illuminants and are therefore typical data due to the large number of available products.

thePrema P360 Slave E UP WH

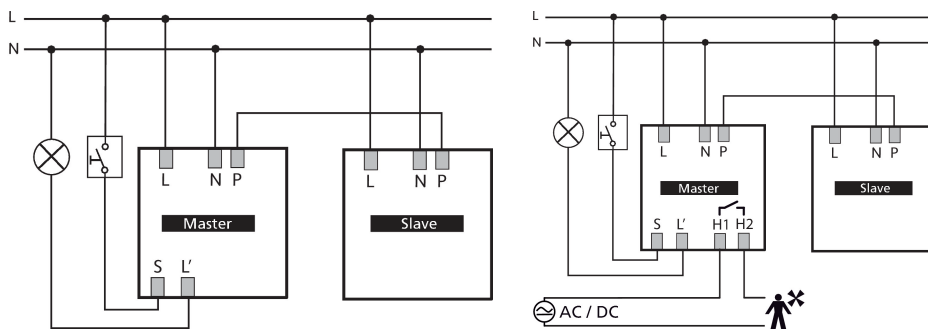
Item no.: 2070130



Technical data

| thePrema P360 Slave E UP WH | | thePrema P360 Slave E UP WH | |
|-----------------------------|-------------------------|-----------------------------|--|
| Operating voltage | 110 – 230 V AC ± 10 % | Lamps | Incandescent/halogen lamps, fluorescent lamps, Energy saving lamps, LEDs |
| Frequency | 50 – 60 Hz | Type of connection | Screw terminals |
| Installation height | 2 – 10 m | Max. cable cross section | max. 2 x 2,5 mm ² |
| Minimum height | > 1,7 m | Size of concealed housing | Ø 55 mm (NIS, PMI) |
| Installation type | Ceiling installation | Detection range | 81 m ² (9,0 x 9,0 m) |
| Colour | White | Detection angle | 360° |
| Switching output | Slave | Ambient temperature | 0°C ... 50°C |
| Power consumption | ~0.1 W | Type of protection | IP 40 (when fitted) |
| Light measurement | Mixed light measurement | | |

Connection example



Detection range for planning applications at a temperature of 21 °C

| Mounting height (A) | Sitting (S) | Walking (T) |
|---------------------|--|--|
| 2 m | 20 m ² 4,5 m x 4,5 m | 36 m ² 6 m x 6 m ± 0,5 m |
| 2.5 m | 36 m ² 6 m x 6 m | 64 m ² 8 m x 8 m |
| 3 m | 49 m ² 7 m x 7 m, 81 m ² 9 m x 9 m ± 1 m | 81 m ² 9 m x 9 m ± 0,5 m |
| 3.5 m | 64 m ² 8 m x 8 m | 100 m ² 10 m x 10 m ± 1 m |
| 5 m | | 144 m ² 12 m x 12 m ± 1,5 m |
| 10 m | | 400 m ² 20 m x 20 m ± 2 m |

Subject to technical changes and misprints

additional information at: www.theben.de/product/2070130

The load data are determined with exemplary selected illuminants and are therefore typical data due to the large number of available products.

08/03/2023

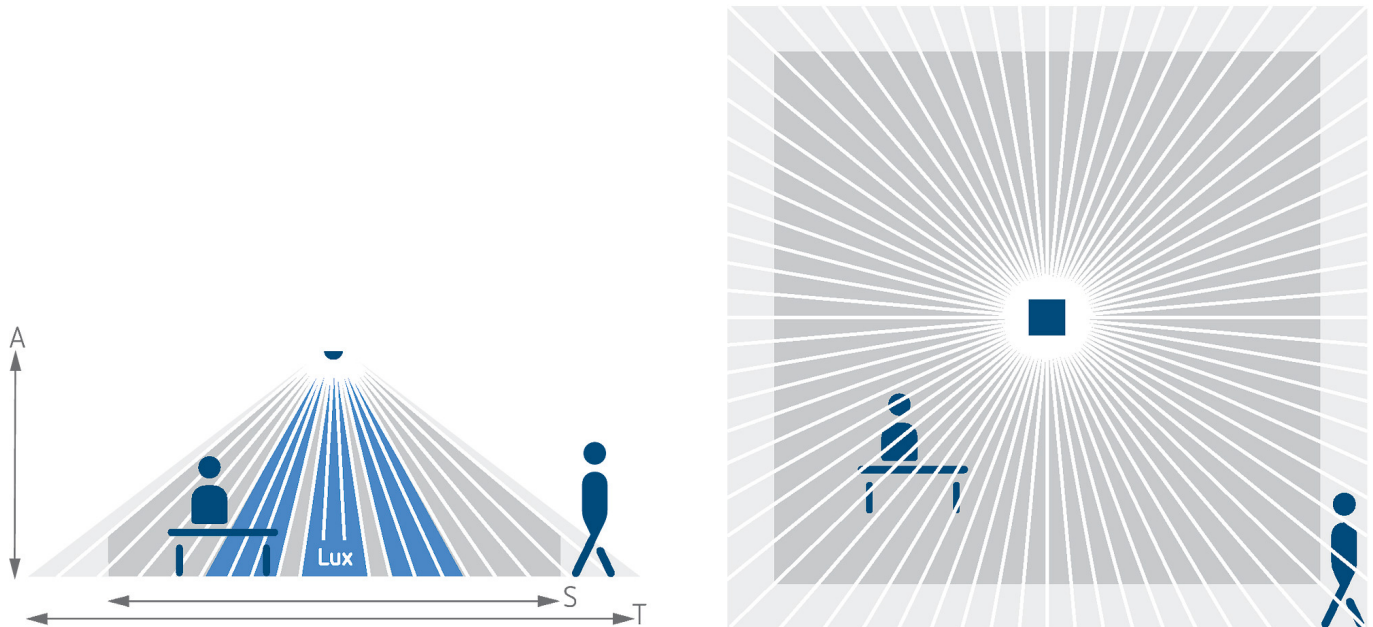
Page 2 of 4

thePrema P360 Slave E UP WH

Item no.: 2070130

theben

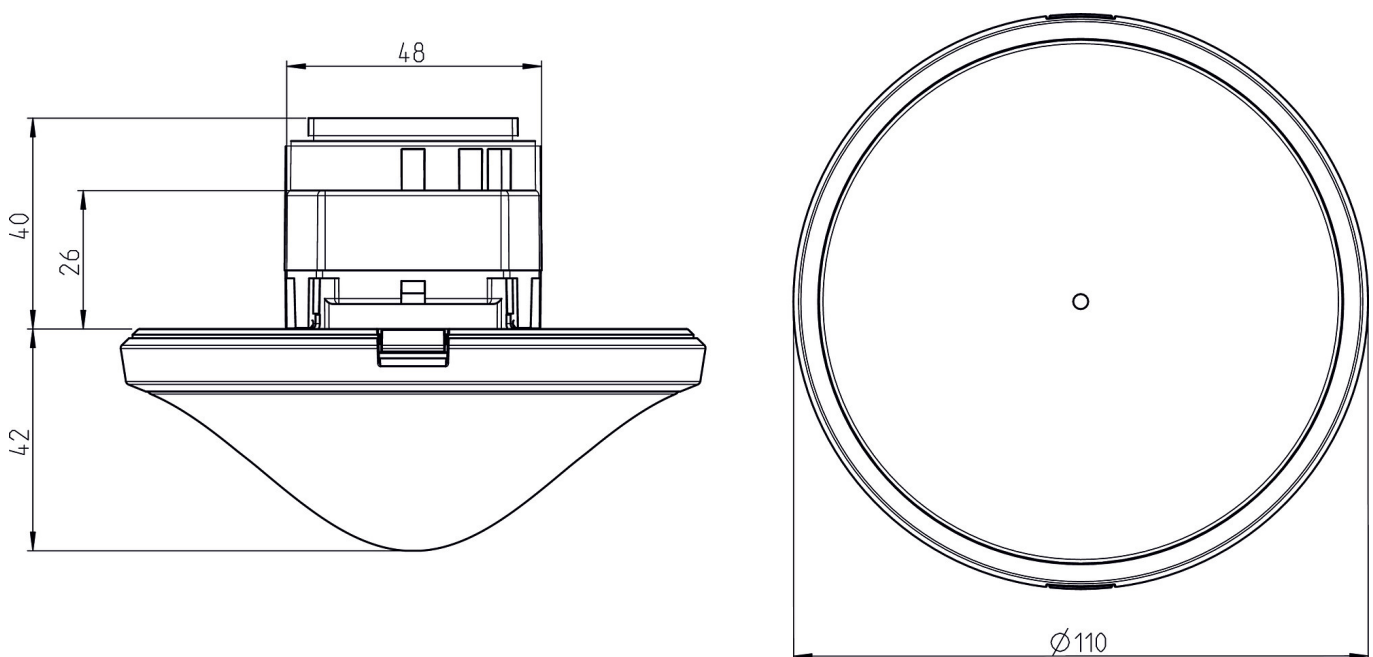
Detection range for planning applications at a temperature of 21 °C



Detection range according to Sensnorm IEC 63180

| Mounting height (A) | Diagonally (T) | Head on to (R) | Sitting (S) |
|---------------------|-----------------------------------|-------------------------------|-----------------------------------|
| 2.5 m | 77 m ² 8.8 m x 8.8 m | 64 m ² 8 m x 8 m | 42 m ² 6.5 m x 6.5 m |

Scale drawings



Subject to technical changes and misprints

additional information at: www.theben.de/product/2070130

The load data are determined with exemplary selected illuminants and are therefore typical data due to the large number of available products.

08/03/2023

Page 3 of 4

thePrema P360 Slave E UP WH

Item no.: 2070130

theben

Accessories

theSenda P

Item no.: 9070910

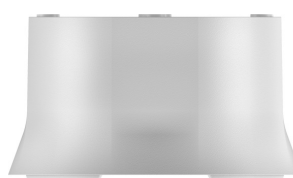


Ceiling installation box 73A

Item no.: 9070917

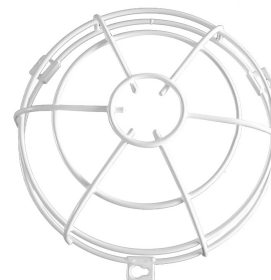
Surface frame 110A WH

Item no.: 9070912



QuickSafe

Item no.: 9070531



theSenda B

Item no.: 9070985



Ceiling installation box 68A

Item no.: 9070992



Surface frame 110A BK

Item no.: 9070600



Subject to technical changes and misprints

additional information at: www.theben.de/product/2070130

The load data are determined with exemplary selected illuminants and are therefore typical data due to the large number of available products.

08/03/2023

Page 4 of 4