

theRonda P360 Slave UP WH

Item no.: 2080030

theben

Präsenzmelder & Bewegungsmelder
Deckenmontage innen

Description

- Passive infra-red presence detector for flush-mounted ceiling installation
- Circular detection area 360°, up to Ø 24 m (452 m²) at mounting height 3 m
- Slave version for theRonda master presence detectors
- Test mode for checking function and detection area
- Extension of detection area via Master/Slave or Master/Master switching, a maximum of 10 detectors can be switched in parallel with each other
- Ceiling installation in flush-mounted socket
- Ceiling installation also possible with surface-mounted frame
- User remote control theSenda S, management remote control SendaPro (optional)



Subject to technical changes and misprints

additional information at: www.theben.de/product/2080030

The load data are determined with exemplary selected illuminants and are therefore typical data due to the large number of available products.

theRonda P360 Slave UP WH

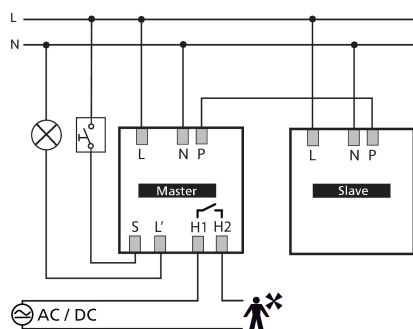
Item no.: 2080030



Technical data

theRonda P360 Slave UP WH		theRonda P360 Slave UP WH	
Operating voltage	110 – 230 V AC	Lamps	Incandescent/halogen lamps, fluorescent lamps, Energy saving lamps, LEDs
Frequency	50 – 60 Hz	Type of connection	Screw terminals
Installation height	2 – 10 m	Max. cable cross section	max. 2 x 2,5 mm ²
Maximum height	15 m	Size of concealed housing	Ø 55 mm (NIS, PMI)
Minimum height	> 1,7 m	Detection range	452 m ² (Ø 24 m 360°)
Installation type	Ceiling installation	Detection angle	360°
Colour	White	Ambient temperature	-15°C ... 50°C
Switching output	Slave	Type of protection	IP 54 (when fitted)
Power consumption	~0.15 W		
Light measurement	Mixed light measurement		

Connection example



Detection range for planning applications at a temperature of 21 °C

Mounting height (A)	Sitting (S)	Diagonally (T)
2 m	16 m ² 4.5 m	380 m ² 22 m
2.5 m	24 m ² 5.5 m	415 m ² 23 m
3 m	28 m ² 6 m	452 m ² 24 m
3.5 m	38 m ² 7 m	452 m ² 24 m
6 m		452 m ² 24 m
10 m		491 m ² 25 m

Subject to technical changes and misprints

additional information at: www.theben.de/product/2080030

The load data are determined with exemplary selected illuminants and are therefore typical data due to the large number of available products.

08/03/2023

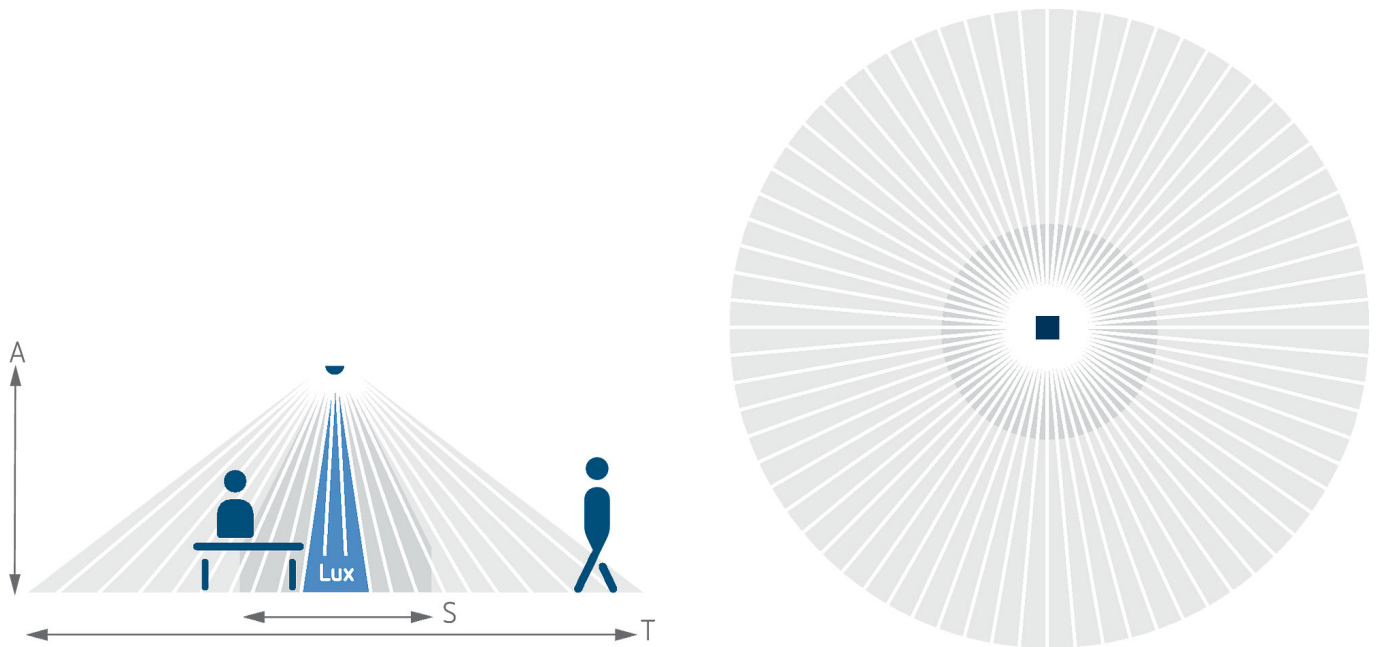
Page 2 of 5

theRonda P360 Slave UP WH

Item no.: 2080030

theben

Detection range for planning applications at a temperature of 21 °C



Detection range according to Sensnorm IEC 63180

Mounting height (A)	Diagonally (T)	Head on to (R)	Sitting (S)
2.5 m	434 m ² 23.5 m	55 m ² 8.4 m	50 m ² 8 m
10 m	707 m ² 30 m	79 m ² 10 m	
15 m	616 m ² 28 m	141 m ² 13.4 m	

Subject to technical changes and misprints

additional information at: www.theben.de/product/2080030

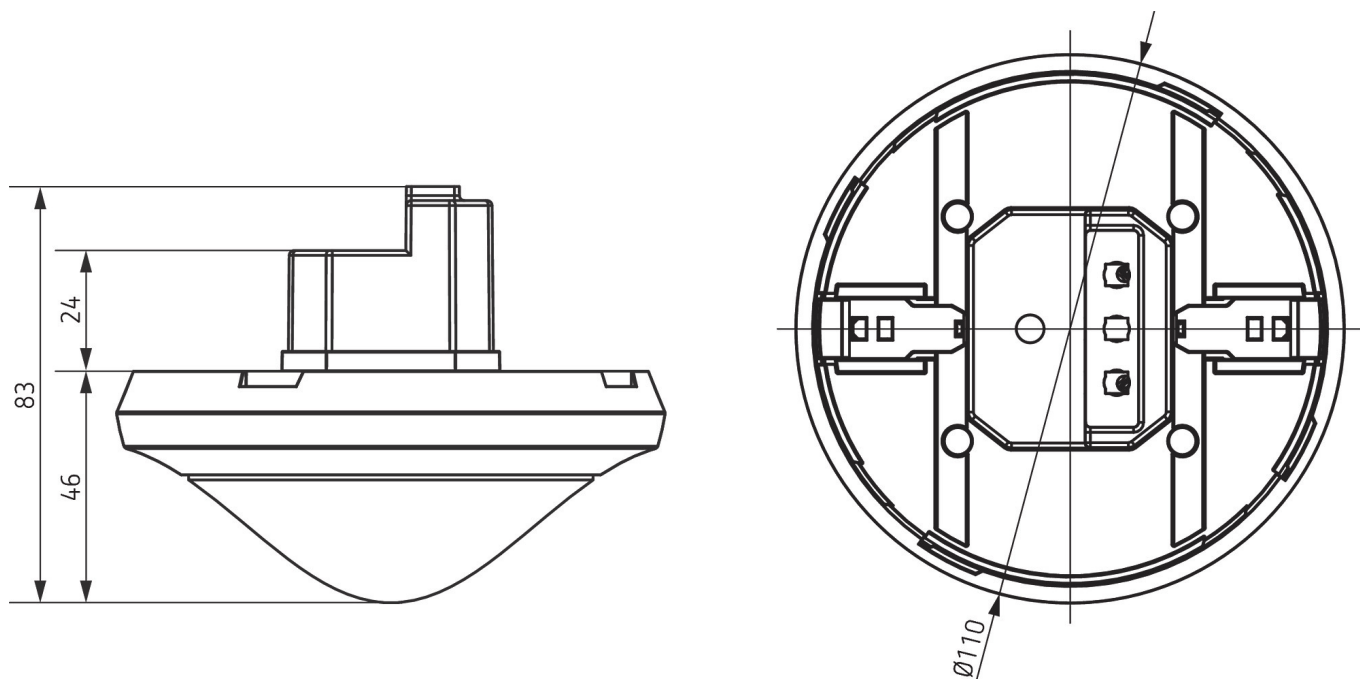
The load data are determined with exemplary selected illuminants and are therefore typical data due to the large number of available products.

theRonda P360 Slave UP WH

Item no.: 2080030

theben

Scale drawings



Accessories

theSenda P
Item no.: 9070910

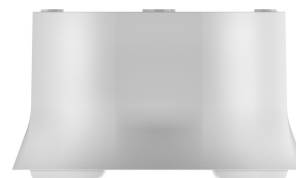


Surface frame 110A GR
Item no.: 9070913



Ceiling installation box 73A
Item no.: 9070917

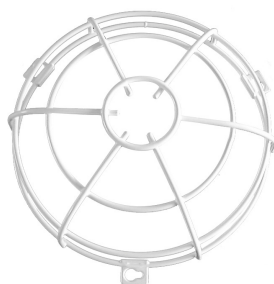
Surface frame 110A WH
Item no.: 9070912



Masking clip
Item no.: 9070921



QuickSafe
Item no.: 9070531



theSenda B
Item no.: 9070985



Cover 110 GR
Item no.: 9070591



Subject to technical changes and misprints

additional information at: www.theben.de/product/2080030

The load data are determined with exemplary selected illuminants and are therefore typical data due to the large number of available products.

theRonda P360 Slave UP WH

Item no.: 2080030

theben

Accessories

Ceiling installation box 68A

Item no.: 9070992



Surface frame 110A BK

Item no.: 9070600



Cover 110 BK

Item no.: 9070851



Subject to technical changes and misprints

additional information at: www.theben.de/product/2080030

The load data are determined with exemplary selected illuminants and are therefore typical data due to the large number of available products.

08/03/2023

Page 5 of 5