

SUL 285/2 T

Item no.: 2850033

theben

Time and light control
Analogue time switches

Description

- Analogue tariff time switch with daily program
- 2 channels
- With power reserve (exchangeable NiMH rechargeable battery)
- Quartz controlled
- Tappets
- Shortest switching time: 20 minutes
- Clock hands for time display
- Switching status display
- Simple summer/winter time correction
- Time can be changed clockwise or anti-clockwise
- Control LED for battery change
- 32 tappets included in delivery



Technical data

SUL 285/2 T	
Operating voltage	110 – 230 V AC
Frequency	50 – 60 Hz
Number of channels	2
Installation type	Front panel installation/wall installation
Type of connection	Screw terminals
Drive	Quartz-controlled stepper motor
Program	Daily program
Power reserve	6 days full power reserve approx. 3 days after connection to operating voltage

SUL 285/2 T	
Switching capacity at 250 V AC, $\cos \varphi = 1$	6 A
Switching capacity at 250 V AC, $\cos \varphi = 0,6$	2 A
Shortest switching times	20 min
Programmable every	5 min
Time accuracy at 25 °C	$\leq \pm 1$ s/day (quartz)
Type of contact	Changeover contact
Switching output	Potential-free and phase-independent
Stand-by consumption	0.6 W

Subject to technical changes and misprints

additional information at: www.theben.de/product/2850033

The load data are determined with exemplary selected illuminants and are therefore typical data due to the large number of available products.

05/08/2022
Page 1 of 2

SUL 285/2 T

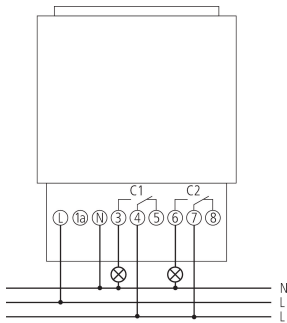
Item no.: 2850033

theben

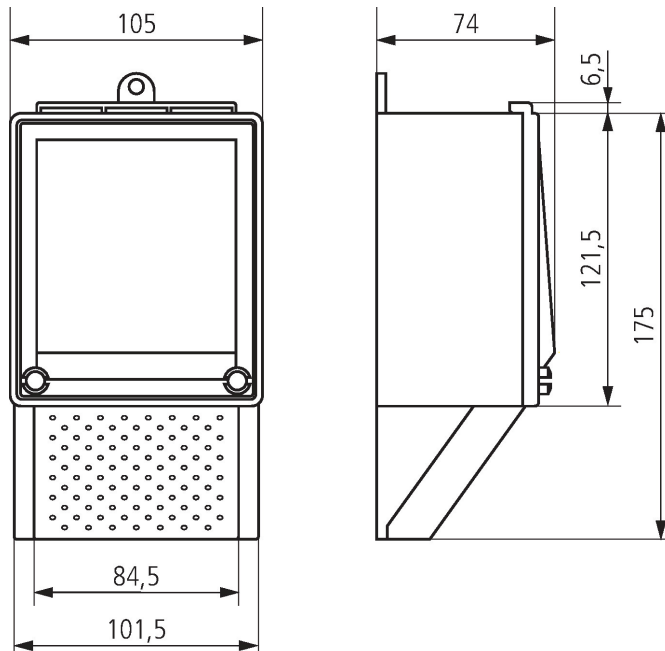
Technical data

SUL 285/2 T		SUL 285/2 T	
Housing and insulation material	High-temperature resistant, self-extinguishing thermoplastic	Protection class	II according to EN 62 054-21
Type of protection	IP 54	Ambient temperature	-10°C ... 55°C

Connection example



Scale drawings



Subject to technical changes and misprints

additional information at: www.theben.de/product/2850033

The load data are determined with exemplary selected illuminants and are therefore typical data due to the large number of available products.