

TR 610 top2 24V

Item no.: 6104100



Time and light control Digital time switches

Description

- Digital time switch with weekly program
- DuoFix spring terminals
- For 2 conductors each
- Wire or strand (with or without wire end sleeve)
- Wire diameter: 0.5 - 2.5 mm²
- Button for releasing plug-in connection
- Text-oriented user guidance in display
- Preset date and time
- fully operable without mains connection
- 56 memory locations
- Interface for OBELISK top2 memory card (PC programming)
- 2. insertable switching program
- Copying programs
- Storing programs
- 10 year power reserve (lithium battery)
- Zero-cross switching for relay-saving switching and high lamp loads (not with 24 V devices)
- ON-OFF switching times
- Switching preselection
- Permanent switching ON/OFF
- Integrated operating hour counter
- Reset option
- Service function for monitoring maintenance intervals
- Holiday program
- Display back light (can be turned off)
- Permanent switching ON/OFF
- PIN coding
- Automatic summer/winter time changeover
- can be deactivated
- Date rule options are already stored for Europe, the USA and other countries
- own date rule options or changeover around set dates are available



Technical data

	TR 610 top2 24V
Operating voltage	12 – 24 V UC
Frequency	50 – 60 Hz
Width	2 modules
Installation type	DIN rail
Type of contact	Changeover contact
Switching output	Phase-independent

	TR 610 top2 24V
Opening width	< 3 mm
Program	Weekly program
Program functions	ON-OFF
Number of channels	1
Number of memory locations	56
Power reserve	10 years

Subject to technical changes and misprints

additional information at: www.theben.de/product/6104100

The load data are determined with exemplary selected illuminants and are therefore typical data due to the large number of available products.

TR 610 top2 24V

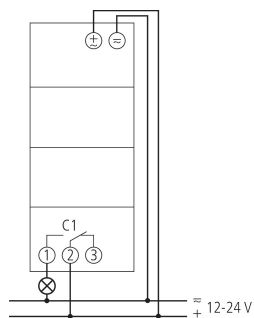
Item no.: 6104100

theben

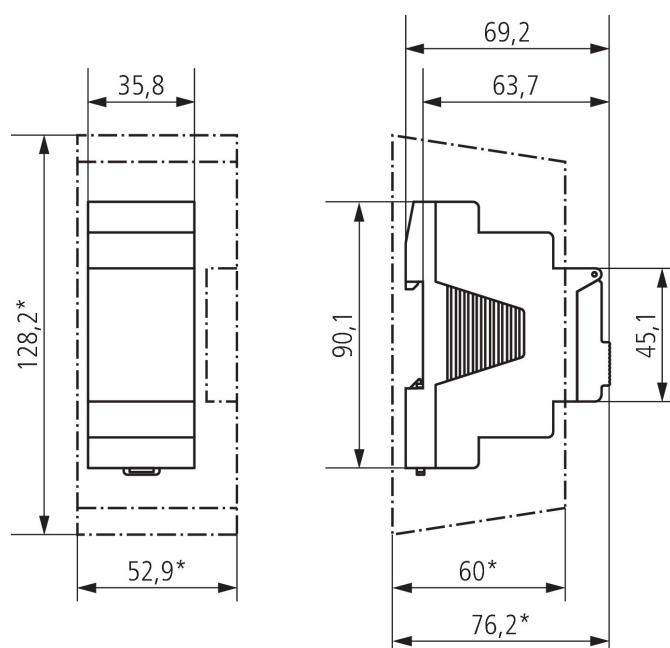
Technical data

TR 610 top2 24V		TR 610 top2 24V	
Switching capacity at 250 V AC, $\cos \varphi = 1$	16 A	Time basis	Quartz
Switching capacity at 250 V AC, $\cos \varphi = 0,6$	2 A	Stand-by consumption	~0.3 W
Incandescent/halogen lamp load	1400 W	Memory card supplied	-
Energy saving lamps	30 W	Type of connection	DuoFix spring terminals
LED lamp < 2 W	6 W	Display	LCD
LED lamp 2-8 W	20 W	Keyboards	4 touch buttons
LED lamp > 8 W	25 W	Housing and insulation material	High-temperature resistant, self-extinguishing thermoplastic
Switching capacity min.	ca. 10 mA	Type of protection	IP 20
Shortest switching times	1 min	Protection class	II according to EN 60 730-1
Time accuracy at 25 °C	typical $\pm 0,25$ s/day (quartz)	Voltage	12-24 V UC
		Ambient temperature	-30°C ... 55°C

Connection example



Scale drawings



Subject to technical changes and misprints

additional information at: www.theben.de/product/6104100

The load data are determined with exemplary selected illuminants and are therefore typical data due to the large number of available products.

TR 610 top2 24V

Item no.: 6104100



Accessories

Wall mounting kit 35 mm

Item no.: 9070064



PC set OBELISK top2/3

Item no.: 9070409



Memory card OBELISK top2

Item no.: 9070404



Front panel kit

Item no.: 9070001



Subject to technical changes and misprints

additional information at: www.theben.de/product/6104100

The load data are determined with exemplary selected illuminants and are therefore typical data due to the large number of available products.

13/04/2023

Page 3 of 3