

TR 622 top2 24V

Item no.: 6224100

theben

Time and light control Digital time switches

Description

- Digital time switch with weekly program
- DuoFix spring terminals
- For 2 conductors each
- Wire or strand (with or without wire end sleeve)
- Wire diameter: 0.5 - 2.5 mm²
- Button for releasing plug-in connection
- Text-oriented user guidance in display
- Preset date and time
- fully operable without mains connection
- 84 memory locations
- Interface for OBELISK top2 memory card (PC programming)
- 2. insertable switching program
- Copying programs
- Storing programs
- 10 year power reserve (lithium battery)
- Zero-cross switching for relay-saving switching and high lamp loads (not with 24 V devices)
- ON-OFF switching times
- Pulse program
- Cycle program
- Switching preselection
- Permanent switching ON/OFF
- Timer countdown
- Integrated operating hour counter
- Reset option
- Service function for monitoring maintenance intervals
- Holiday program
- 2 random programs
- Display back light (can be turned off)
- Permanent switching ON/OFF
- PIN coding
- Automatic summer/winter time changeover
- can be deactivated
- Date rule options are already stored for Europe, the USA and other countries
- own date rule options or changeover around set dates are available



Subject to technical changes and misprints

additional information at: www.theben.de/product/6224100

The load data are determined with exemplary selected illuminants and are therefore typical data due to the large number of available products.

TR 622 top2 24V

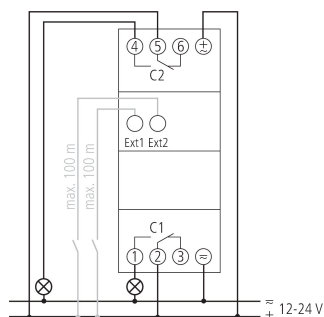
Item no.: 6224100

theben

Technical data

TR 622 top2 24V		TR 622 top2 24V	
Operating voltage	12 – 24 V UC	LED lamp < 2 W	6 W
Frequency	50 – 60 Hz	LED lamp 2-8 W	20 W
Width	2 modules	LED lamp > 8 W	25 W
Installation type	DIN rail	Switching capacity min.	ca. 10 mA
Type of contact	Two-way changeover contact	Shortest switching times	1 s
Switching output	Phase-independent	Time accuracy at 25 °C	typical $\pm 0,25$ s/day (quartz)
Opening width	< 3 mm	Time basis	Quartz
Program	Weekly program	Stand-by consumption	~0.3 W
Program functions	ON-OFF, Pulse, Cycle	Memory card supplied	✓
Number of channels	2	Type of connection	DuoFix spring terminals
External inputs	2	Display	LCD
Number of memory locations	84	Keyboards	4 touch buttons
Power reserve	10 years	Housing and insulation material	High-temperature resistant, self-extinguishing thermoplastic
Switching capacity at 250 V AC, $\cos \varphi = 1$	16 A	Type of protection	IP 20
Switching capacity at 250 V AC, $\cos \varphi = 0,6$	2 A	Protection class	II according to EN 60 730-1
Incandescent/halogen lamp load	1400 W	Voltage	12-24 V UC
Energy saving lamps	30 W	Ambient temperature	-30°C ... 55°C

Connection example



Subject to technical changes and misprints

additional information at: www.theben.de/product/6224100

The load data are determined with exemplary selected illuminants and are therefore typical data due to the large number of available products.

13/04/2023

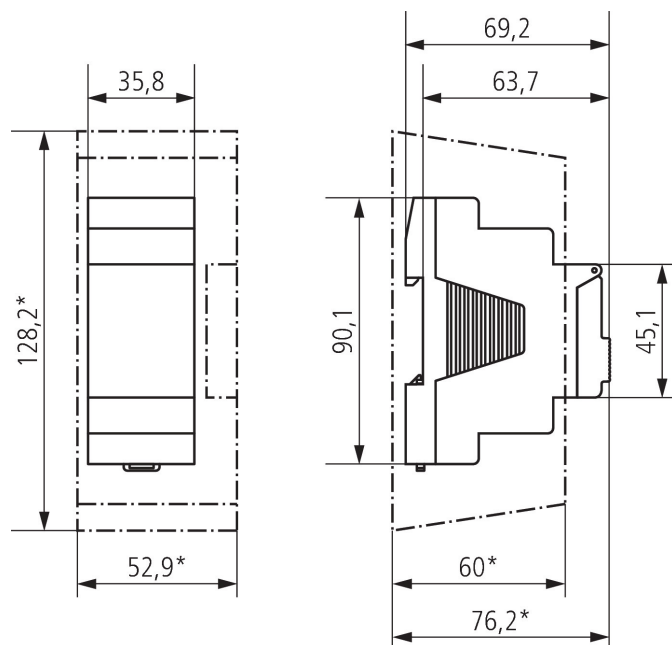
Page 2 of 3

TR 622 top2 24V

Item no.: 6224100



Scale drawings



Accessories

Wall mounting kit 35 mm
Item no.: 9070064



PC set OBELISK top2/3
Item no.: 9070409



Memory card OBELISK top2
Item no.: 9070404



Front panel kit
Item no.: 9070001



Subject to technical changes and misprints

additional information at: www.theben.de/product/6224100

The load data are determined with exemplary selected illuminants and are therefore typical data due to the large number of available products.