

theRonda S360-100 UP WH

Item no.: 2080520

theben

Präsenzmelder & Bewegungsmelder Deckenmontage innen

Description

- Passive infra-red presence detector for flush-mounted ceiling installation
- Circular detection area 360°, up to Ø 8 m (50 m²) at mounting height 3 m
- 1 channel light (Relay, 230 V)
- Automatic presence- and brightness-dependent control for lighting
- Mixed light measurement suitable for fluorescent lamps (FL/PL/ESL), halogen/incandescent lamps and LEDs
- Choice of fully or semi-automatic operation
- Adjustable brightness switching value, teach-in function
- Reduction of switch-off delay time in the event of short presence (brief-presence)
- Connection option for sensors or switches for manual switching with automatic recognition of sensor/switch
- Pulse function for staircase light time switch
- Switch-on delay and switch-off delay configurable
- Sensitivity adjustable
- Detection area can be limited using cover clip
- Ready for immediate use due to factory preset
- An optional remote control is required for changing the values and attitudes
- Test mode for checking function and detection area
- Ceiling installation in flush-mounted socket
- Ceiling installation also possible with surface-mounted frame
- User remote control theSenda S, service remote control theSenda P, management remote control SendaPro (optional)



Subject to technical changes and misprints

additional information at: www.theben.de/product/2080520

The load data are determined with exemplary selected illuminants and are therefore typical data due to the large number of available products.

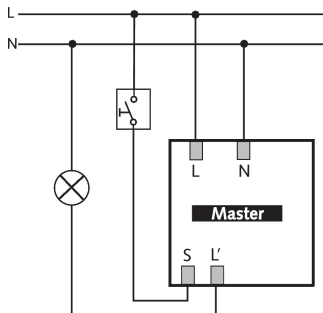
theRonda S360-100 UP WH

Item no.: 2080520

Technical data

theRonda S360-100 UP WH		theRonda S360-100 UP WH	
Operating voltage	110 – 230 V AC	Compact and fluorescent lamps	1150 VA (cos φ = 0,5)
Frequency	50 – 60 Hz	Inrush current	max. 800 A / 200 μs
Installation height	2 – 4 m	LED lamp < 2 W	60 W
Minimum height	> 1,7 m	LED lamp 2-8 W	600 W
Installation type	Ceiling installation	LED lamp > 8 W	600 W
Colour	White	Type of connection	Screw terminals
Switching output	Light	Max. cable cross section	max. 2 x 2,5 mm ²
Power consumption	~0.1 W	Size of concealed housing	Ø 55 mm (NIS, PMI)
Light measurement	Mixed light measurement	Detection range	50 m ² (Ø 8 m 360°)
Setting range brightness	30 – 3000 lx	Detection angle	360°
Light switch-off delay	10 s - 60 min	Ambient temperature	-15°C ... 50°C
Lamps	Incandescent/halogen lamps, fluorescent lamps, Energy saving lamps, LEDs	Impact resistance	IK04
Incandescent/halogen lamp load	2300 W	Type of protection	IP 54 (when fitted)

Connection example



Detection range for planning applications at a temperature of 21 °C

Mounting height (A)	Sitting (S)	Diagonally (T)	Head on to (R)
2 m	5 m ² 2.5 m	38 m ² 7 m	5 m ² 2.5 m ²
2.5 m	7 m ² 3 m	38 m ² 7 m	7 m ² 3 m
3 m	13 m ² 4 m	50 m ² 8 m	13 m ² 4 m
3.5 m		50 m ² 8 m	13 m ² 4 m
4 m		64 m ² 9 m	13 m ² 4 m

Subject to technical changes and misprints

additional information at: www.theben.de/product/2080520

The load data are determined with exemplary selected illuminants and are therefore typical data due to the large number of available products.

08/03/2023

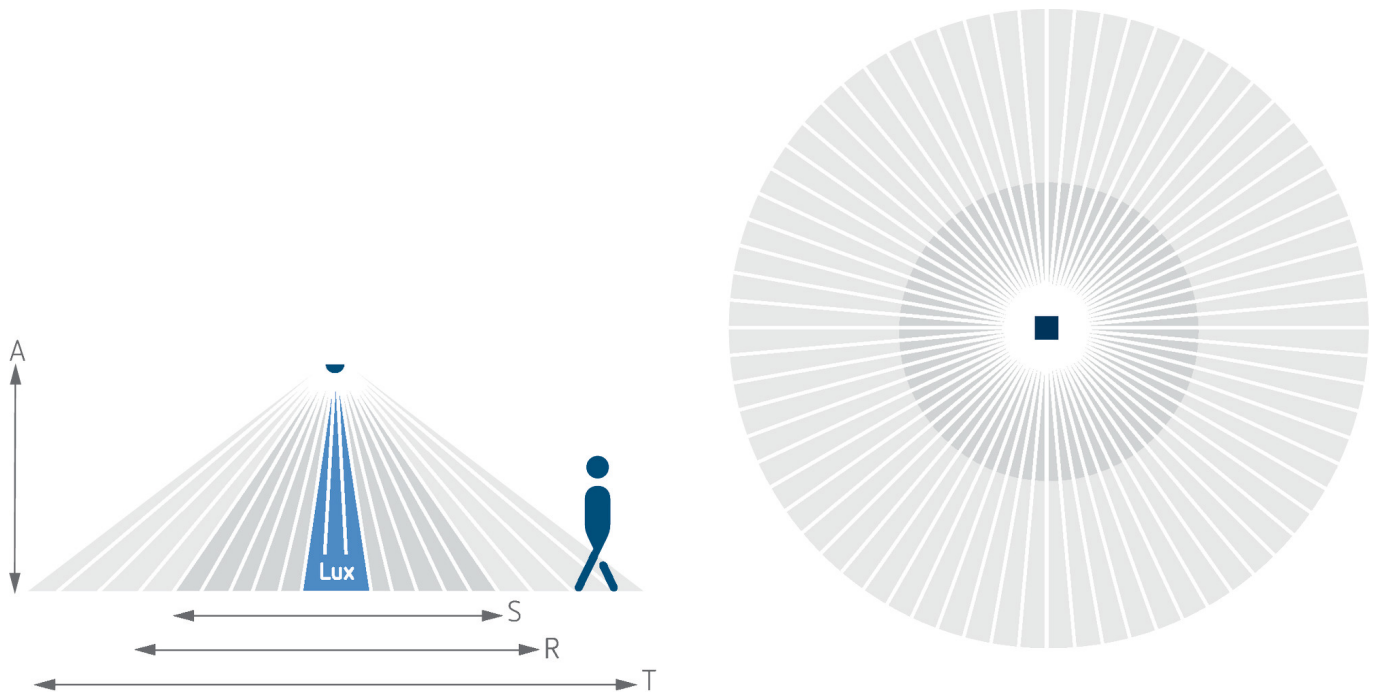
Page 2 of 5

theRonda S360-100 UP WH

Item no.: 2080520

theben

Detection range for planning applications at a temperature of 21 °C



Detection range according to Sensnorm IEC 63180

Mounting height (A)	Diagonally (T)	Head on to (R)	Sitting (S)
2.5 m	50 m ² 8 m	28 m ² 6 µm	20 m ² 5 m
4 m	79 m ² 10 m	71 m ² 9.5 m	

Subject to technical changes and misprints

additional information at: www.theben.de/product/2080520

The load data are determined with exemplary selected illuminants and are therefore typical data due to the large number of available products.

08/03/2023

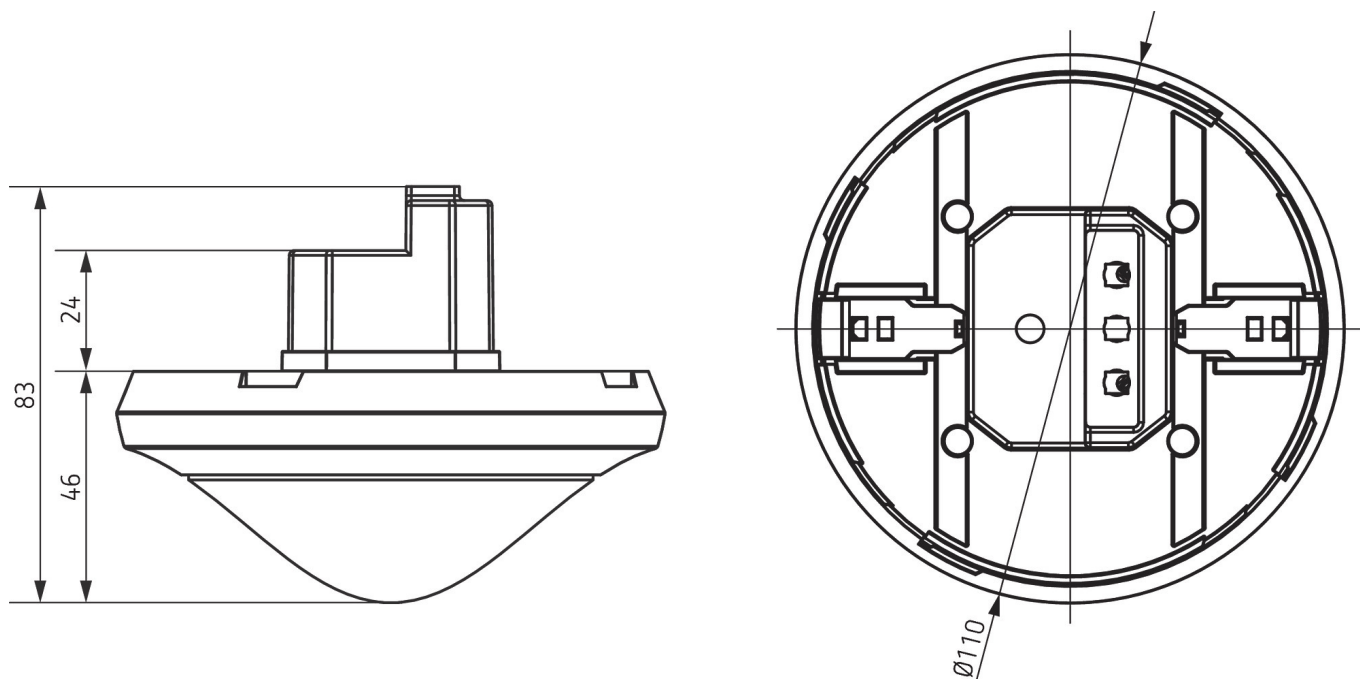
Page 3 of 5

theRonda S360-100 UP WH

Item no.: 2080520

theben

Scale drawings



Accessories

theSenda P
Item no.: 9070910



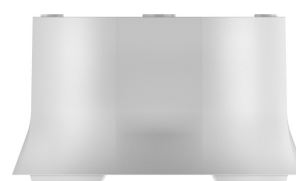
theSenda S
Item no.: 9070911



Surface frame 110A GR
Item no.: 9070913



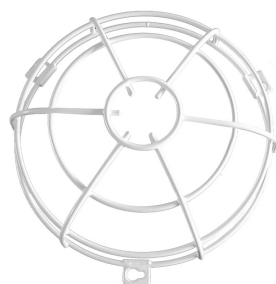
Surface frame 110A WH
Item no.: 9070912



Masking clip
Item no.: 9070921



QuickSafe
Item no.: 9070531



theSenda B
Item no.: 9070985



Cover 110 GR
Item no.: 9070591



Subject to technical changes and misprints

additional information at: www.theben.de/product/2080520

The load data are determined with exemplary selected illuminants and are therefore typical data due to the large number of available products.

theRonda S360-100 UP WH

Item no.: 2080520

theben

Accessories

Ceiling installation box 68A

Item no.: 9070992



Surface frame 110A BK

Item no.: 9070600



Cover 110 BK

Item no.: 9070851



Subject to technical changes and misprints

additional information at: www.theben.de/product/2080520

The load data are determined with exemplary selected illuminants and are therefore typical data due to the large number of available products.

08/03/2023

Page 5 of 5