

thePassa P360-101 UP WH

Item no.: 2010300

Präsenzmelder & Bewegungsmelder Deckenmontage innen

Description

- Passive infra-red presence detector for flush-mounted ceiling installation
- Rectangular detection area 360°, 30 x 4,5 m, (135 m²) at mounting height 3 m, for corridors and storage areas, with 2 individually connectable and disconnectable detection zones
- 1 channel light (Relay, 230 V) and 1 channel presence (Relay, floating for HVAC control)
- Automatic presence- and brightness-dependent control for lighting and HVAC
- Mixed light measurement suitable for fluorescent lamps (FL/PL/ESL), halogen/incandescent lamps and LEDs
- Choice of fully or semi-automatic operation
- Adjustable brightness switching value, teach-in function
- Reduction of switch-off delay time in the event of short presence (brief-presence)
- Connection option for sensors or switches for manual switching with automatic recognition of sensor/switch
- Pulse function for staircase light time switch
- Channel H, presence: relay, floating
- e.g. for HVAC control
- Switch-on delay and switch-off delay configurable
- Sensitivity adjustable
- Detection area can be limited using cover clip
- Ready for immediate use due to factory preset
- Test mode for checking function and detection area
- Extension of detection area via Master/Slave or Master/Master switching, a maximum of 10 detectors can be switched in parallel with each other
- Ceiling installation in flush-mounted socket
- Ceiling installation also possible with surface-mounted frame
- User remote control theSenda S, management remote control SendoPro (optional)



Technical data

thePassa P360-101 UP WH	
Operating voltage	110 – 230 V AC
Frequency	50 – 60 Hz
Installation height	2 – 6 m
Maximum height	15 m
Minimum height	> 1,7 m
Installation type	Ceiling installation
Colour	White

thePassa P360-101 UP WH	
Switching output	Light Presence
Power consumption	ca. 0.1 W
Light measurement	Mixed light measurement
Setting range brightness	30 – 3000 lx
Light switch-off delay	10 s - 60 min

Subject to technical changes and misprints

additional information at: www.theben.de/product/2010300

The load data are determined with exemplary selected illuminants and are therefore typical data due to the large number of available products.

thePassa P360-101 UP WH

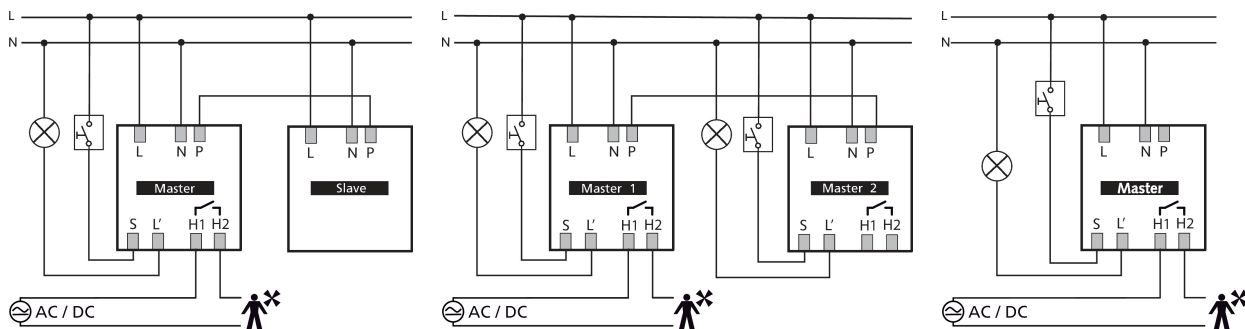
Item no.: 2010300



Technical data

thePassa P360-101 UP WH		thePassa P360-101 UP WH	
Lamps	Incandescent/halogen lamps, fluorescent lamps, Energy saving lamps, LEDs	Presence switch-off delay	10 s - 120 min
Incandescent/halogen lamp load	2300 W	Switching capacity presence	50 W / 50 VA
Compact and fluorescent lamps	1150 VA (cos φ = 0,5)	Type of connection	Screw terminals
Inrush current	max. 800 A / 200 μs	Max. cable cross section	max. 2 x 2,5 mm ²
LED lamp < 2 W	60 W	Size of concealed housing	Ø 55 mm (NIS, PMI)
LED lamp 2-8 W	600 W	Detection range	150 m ² (30,0 x 5 m)
LED lamp > 8 W	600 W	Detection angle	360°
Switch-on delay presence	0 s – 10 min / Room surveillance	Ambient temperature	-15°C ... 50°C
		Type of protection	IP 54 (when fitted)

Connection example



Detection range for planning applications at a temperature of 21 °C

Mounting height (A)	Diagonally (t)	Head on to (R)
2 m	56 m ² 16 m x 3.5 m	56 m ² 16 m x 3.5 m
2.5 m	88 m ² 22 m x 4 m	72 m ² 18 m x 4 m
3 m	135 m ² 30 m x 4.5 m	90 m ² 20 m x 4.5 m
3.5 m	150 m ² 30 m x 5 m	100 m ² 20 m x 5 m
4 m	150 m ² 30 m x 5 m	100 m ² 20 m x 5 m
4.5 m	150 m ² 30 m x 5 m	100 m ² 20 m x 5 m
5 m	150 m ² 30 m x 5 m	100 m ² 20 m x 5 m
5.5 m	150 m ² 30 m x 5 m	100 m ² 20 m x 5 m
6 m	150 m ² 30 m x 5 m	100 m ² 20 m x 5 m

Subject to technical changes and misprints

additional information at: www.theben.de/product/2010300

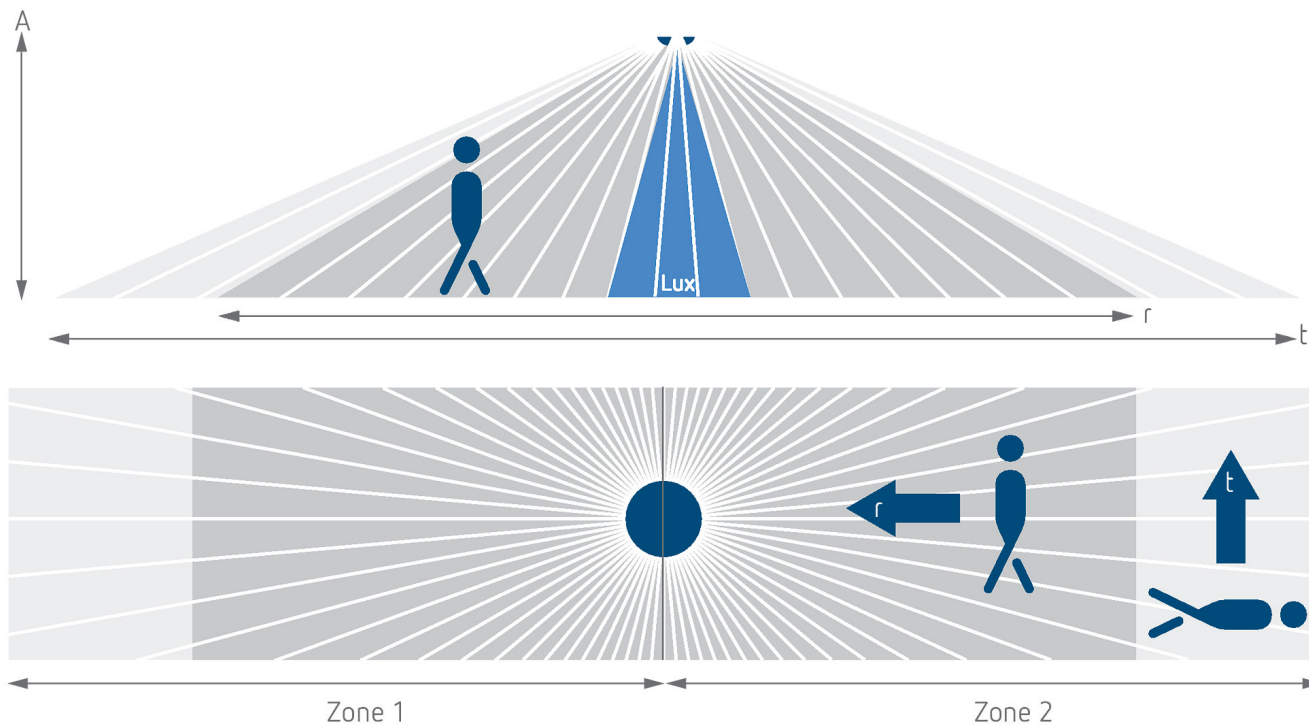
The load data are determined with exemplary selected illuminants and are therefore typical data due to the large number of available products.

thePassa P360-101 UP WH

Item no.: 2010300



Detection range for planning applications at a temperature of 21 °C



Detection range according to Sensnorm IEC 63180

Mounting height (A)	Diagonally (T)	Head on to (R)
2.5 m	215 m ² 43 m x 5 m	62 m ² 14.8 m x 4.2 m
6 m	550 m ² 50 m x 11 m	495 m ² 45 m x 11 m
15 m	800 m ² 40 m x 20 m	600 m ² 30 m x 20 m

Subject to technical changes and misprints

additional information at: www.theben.de/product/2010300

The load data are determined with exemplary selected illuminants and are therefore typical data due to the large number of available products.

08/03/2023

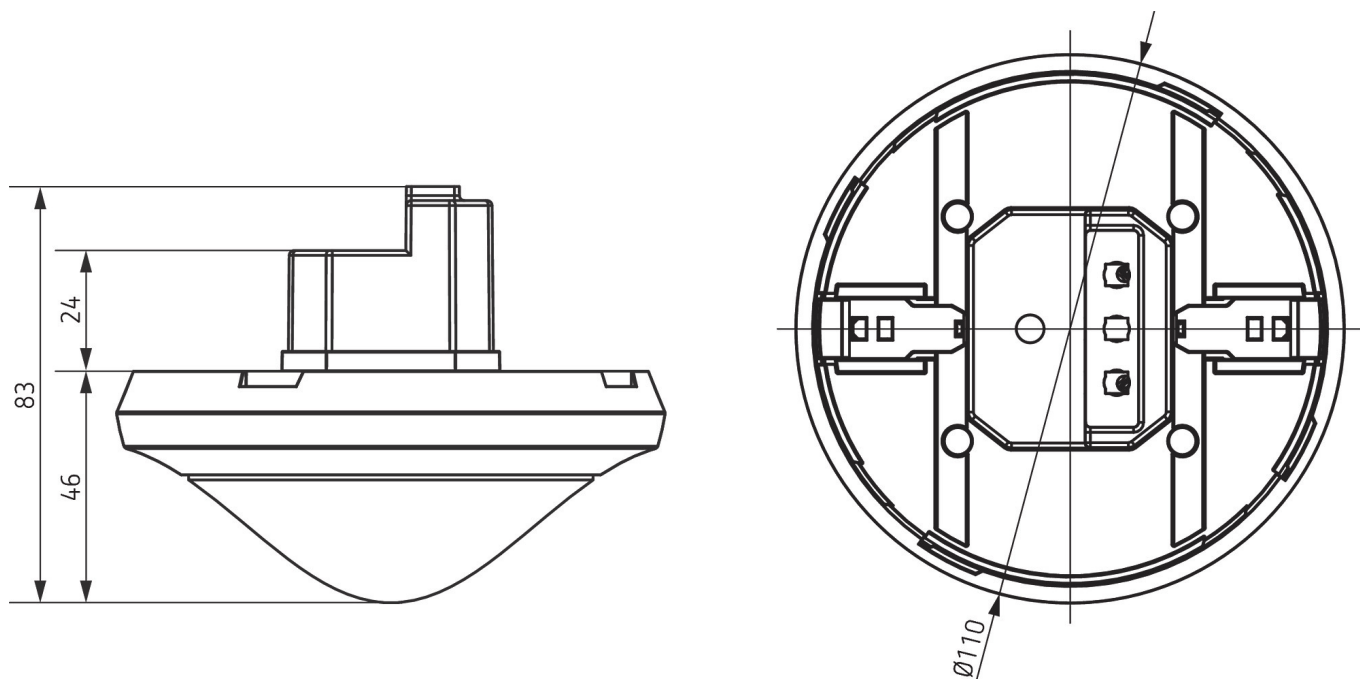
Page 3 of 5

thePassa P360-101 UP WH

Item no.: 2010300

theben

Scale drawings



Accessories

theSenda P
Item no.: 9070910



theSenda S
Item no.: 9070911



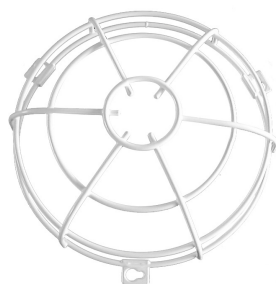
Surface frame 110A WH
Item no.: 9070912



Masking clip
Item no.: 9070921



QuickSafe
Item no.: 9070531



theSenda B
Item no.: 9070985



Cover 110 GR
Item no.: 9070591



Ceiling installation box 68A
Item no.: 9070992



Subject to technical changes and misprints

additional information at: www.theben.de/product/2010300

The load data are determined with exemplary selected illuminants and are therefore typical data due to the large number of available products.

thePassa P360-101 UP WH

Item no.: 2010300

theben

Accessories

Surface frame 110A BK

Item no.: 9070600



Cover 110 BK

Item no.: 9070851



Subject to technical changes and misprints

additional information at: www.theben.de/product/2010300

The load data are determined with exemplary selected illuminants and are therefore typical data due to the large number of available products.

08/03/2023

Page 5 of 5