

# theRonda S360 Slave UP WH

Item no.: 2080530

**theben**

Präsenzmelder & Bewegungsmelder  
Deckenmontage innen

## Description

---

- Passive infra-red presence detector for flush-mounted ceiling installation
- Circular detection area 360°, up to Ø 8 m (50 m<sup>2</sup>) at mounting height 3 m
- Slave version for theRonda master presence detectors
- Test mode for checking function and detection area
- Extension of detection area via Master/Slave or Master/Master switching, a maximum of 10 detectors can be switched in parallel with each other
- Ceiling installation in flush-mounted socket
- Ceiling installation also possible with surface-mounted frame
- User remote control theSenda S, service remote control theSenda P, management remote control SendaPro (optional)



Subject to technical changes and misprints

additional information at: [www.theben.de/product/2080530](http://www.theben.de/product/2080530)

The load data are determined with exemplary selected illuminants and are therefore typical data due to the large number of available products.

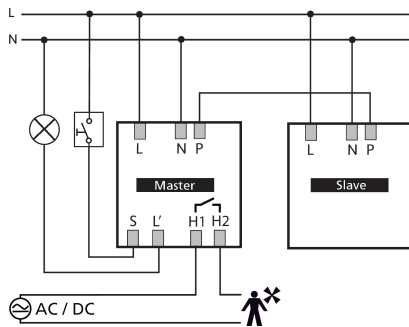
# theRonda S360 Slave UP WH

Item no.: 2080530

## Technical data

theRonda S360 Slave UP WH		theRonda S360 Slave UP WH	
Operating voltage	110 – 230 V AC	Type of connection	Screw terminals
Frequency	50 – 60 Hz	Max. cable cross section	max. 2 x 2,5 mm <sup>2</sup>
Installation height	2 – 4 m	Size of concealed housing	Ø 55 mm (NIS, PMI)
Minimum height	> 1,7 m	Detection range	50 m <sup>2</sup> (Ø 8 m   360°)
Installation type	Ceiling installation	Detection angle	360°
Colour	White	Ambient temperature	-15°C ... 50°C
Switching output	Slave	Type of protection	IP 54 (when fitted)
Power consumption	~0.1 W		
Light measurement	Mixed light measurement		

## Connection example



## Detection range for planning applications at a temperature of 21 °C

Mounting height (A)	Sitting (S)	Diagonally (T)	Head on to (R)
2 m	5 m <sup>2</sup>   2.5 m	38 m <sup>2</sup>   7 m	5 m <sup>2</sup>   2.5 m <sup>2</sup>
2.5 m	7 m <sup>2</sup>   3 m	38 m <sup>2</sup>   7 m	7 m <sup>2</sup>   3 m
3 m	13 m <sup>2</sup>   4 m	50 m <sup>2</sup>   8 m	13 m <sup>2</sup>   4 m
3.5 m		50 m <sup>2</sup>   8 m	13 m <sup>2</sup>   4 m
4 m		64 m <sup>2</sup>   9 m	13 m <sup>2</sup>   4 m

Subject to technical changes and misprints

additional information at: [www.theben.de/product/2080530](http://www.theben.de/product/2080530)

The load data are determined with exemplary selected illuminants and are therefore typical data due to the large number of available products.

08/03/2023

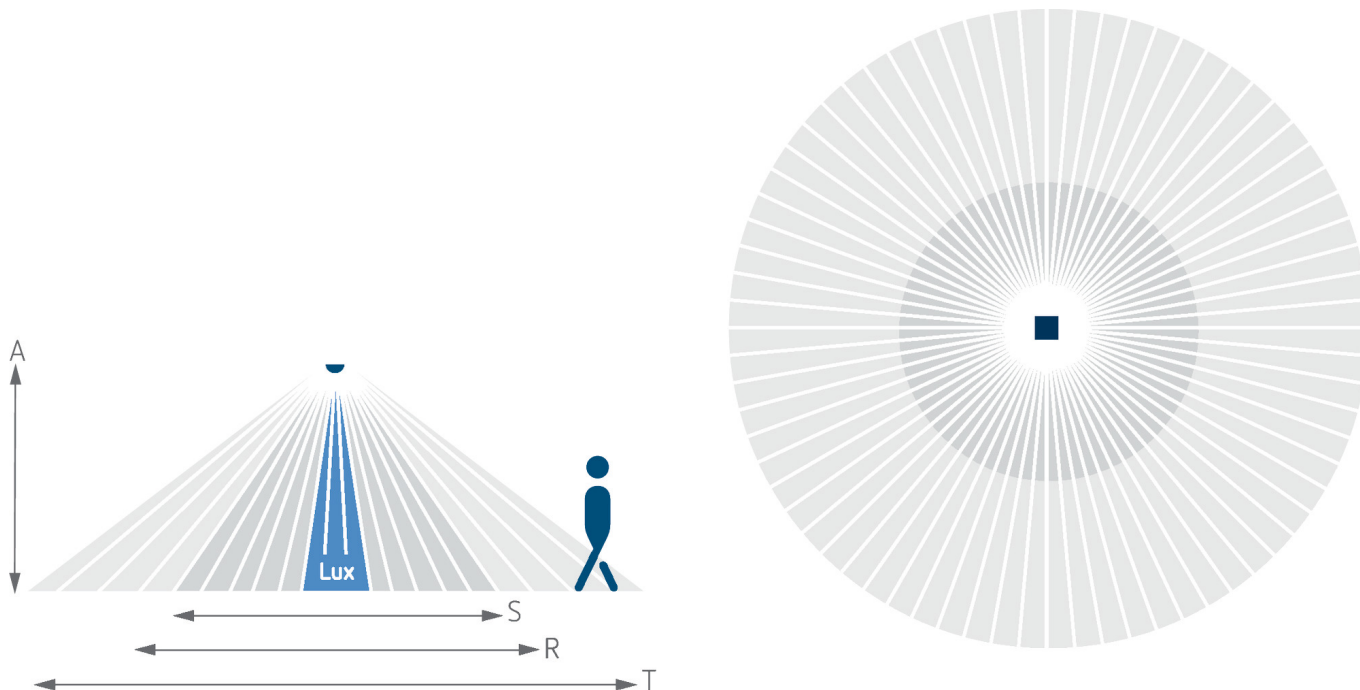
Page 2 of 5

# theRonda S360 Slave UP WH

Item no.: 2080530

**theben**

Detection range for planning applications at a temperature of 21 °C



Detection range according to Sensnorm IEC 63180

Mounting height (A)	Diagonally (T)	Head on to (R)	Sitting (S)
2.5 m	50 m <sup>2</sup>   8 m	28 m <sup>2</sup>   6 m	20 m <sup>2</sup>   5 m
4 m	79 m <sup>2</sup>   10 m	71 m <sup>2</sup>   9.5 m	

Subject to technical changes and misprints

additional information at: [www.theben.de/product/2080530](http://www.theben.de/product/2080530)

The load data are determined with exemplary selected illuminants and are therefore typical data due to the large number of available products.

08/03/2023

Page 3 of 5

# theRonda S360 Slave UP WH

Item no.: 2080530

# theben

## Scale drawings



## Accessories

**theSenda P**  
Item no.: 9070910



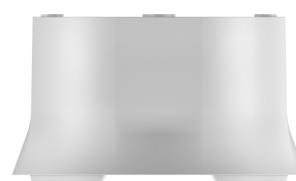
**theSenda S**  
Item no.: 9070911



**Surface frame 110A GR**  
Item no.: 9070913



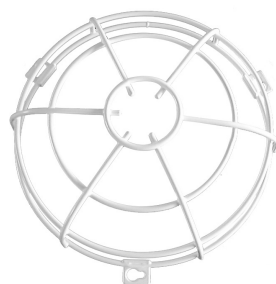
**Surface frame 110A WH**  
Item no.: 9070912



**Masking clip**  
Item no.: 9070921



**QuickSafe**  
Item no.: 9070531



**theSenda B**  
Item no.: 9070985



**Cover 110 GR**  
Item no.: 9070591



Subject to technical changes and misprints

additional information at: [www.theben.de/product/2080530](http://www.theben.de/product/2080530)

The load data are determined with exemplary selected illuminants and are therefore typical data due to the large number of available products.

# theRonda S360 Slave UP WH

Item no.: 2080530

**theben**

## Accessories

---

**Ceiling installation box 68A**

Item no.: 9070992



**Surface frame 110A BK**

Item no.: 9070600



**Cover 110 BK**

Item no.: 9070851



Subject to technical changes and misprints

additional information at: [www.theben.de/product/2080530](http://www.theben.de/product/2080530)

The load data are determined with exemplary selected illuminants and are therefore typical data due to the large number of available products.

08/03/2023

Page 5 of 5