

theLeda D SU AL

Item no.: 1020902

theben

LED-Leuchten

LED-Leuchten mit Bewegungsmelder

Description

- Stylish LED light 14 W with motion detector (PIR)
- Light emission at front (spot-light) and at top (up-light)
- High-quality housing made from anodised extruded-aluminium profiles
- Suitable for outdoor use
- Automatic lighting control based on presence and brightness
- 180° detection angle at 10 m range
- Teach-in, test, twilight switch, dimmable orientation light and self-calculating night interruption functions can be adjusted via theSenda B and the theSenda Plug app
- High IP 55 protection rating for outdoor installation
- Easy installation with socket
- Wireless connectivity
- Exceptionally efficient thanks to high light output
- Long-lasting LEDs: service life of 50,000 hours
- Manual control via an interrupter switch (PERM ON 6 h)
- Product design by ID AID



Technical data

theLeda D SU AL	
Operating voltage	230 V AC
Frequency	50 – 60 Hz
Stand-by consumption	~0.5 W
Colour	Aluminium (similar RAL 9010)
Installation type	Wall installation
LED output (lighting current)	760 lm 475 lm
Colour temperature	3000 K, warmwhite
Colour rendering index	< 80
Service life	L80/B10/50.000 h

theLeda D SU AL	
Setting range brightness	2 – 800 lx
Detection angle	180°
Light switch-off delay	10 s-20 min
Remote controlled	✓
Ambient temperature	-25°C ... 45°C
Protection class	II
Type of protection	IP 55

Subject to technical changes and misprints

additional information at: www.theben.de/product/1020902

The load data are determined with exemplary selected illuminants and are therefore typical data due to the large number of available products.

09/03/2023

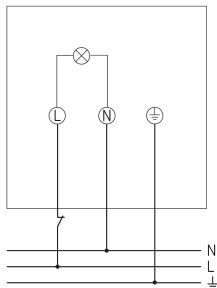
Page 1 of 3

theLeda D SU AL

Item no.: 1020902

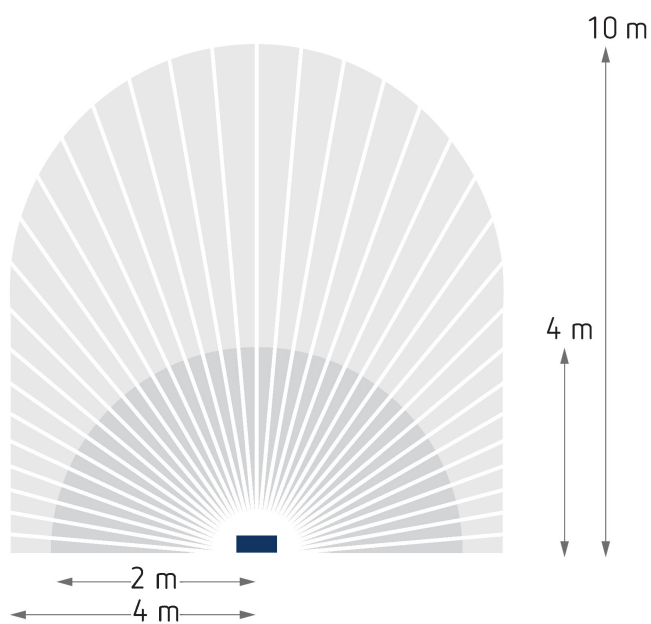


Connection example



Detection range for planning applications at a temperature of 21 °C

Mounting height (A)	Diagonally (t)	Head on to (R)
2.2 m	10 m	4 m



Subject to technical changes and misprints

additional information at: www.theben.de/product/1020902

The load data are determined with exemplary selected illuminants and are therefore typical data due to the large number of available products.

09/03/2023

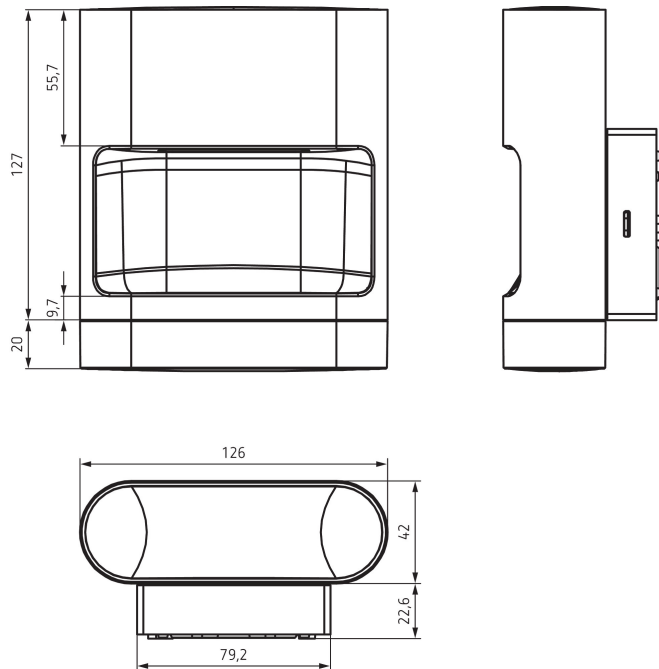
Page 2 of 3

theLeda D SU AL

Item no.: 1020902



Scale drawings



Accessories

theSenda P

Item no.: 9070910



theSenda S

Item no.: 9070911



theSenda B

Item no.: 9070985



Subject to technical changes and misprints

additional information at: www.theben.de/product/1020902

The load data are determined with exemplary selected illuminants and are therefore typical data due to the large number of available products.