

LUNA 110 plus EL

Item no.: 1100900

Time and light control Twilight switches

Description

- Analogue twilight switch
- External light sensor included in delivery
- Adjustable On and Off switching delay
- Display of channel and switching status
- DuoFix load line connections
- Extended brightness level and adjustable delay time
- Zero-cross switching to avoid wear and tear to relay contact and lamp for prolonged service life
- Permanent OFF and permanent ON function can be set on the potentiometer
- Test function
- Freely adjustable switching brightness



Technical data

LUNA 110 plus EL	
Operating voltage	110 – 230 V AC
Frequency	50 – 60 Hz
Number of channels	1
Stand-by consumption	~0.4 W
Setting range brightness	2 – 50000 lx
Switch-on delay	0 – 20 min
Switch-off delay	0 – 20 min
Type of contact	Changeover contact
Switching output	Switching of various phases, no SELV

LUNA 110 plus EL	
Width	2 modules
Installation type	DIN rail
Type of connection	DuoFix spring terminals
Keyboards	3 potentiometers
Switching capacity	16 A at 250 V AC, $\cos \phi = 1$, 16 AX Fluorescent lamp load
Incandescent/halogen lamp load	2600 W
Halogen lamp load	2600 W
LED lamp < 2 W	50 W

Subject to technical changes and misprints

additional information at: www.theben.de/product/1100900

The load data are determined with exemplary selected illuminants and are therefore typical data due to the large number of available products.

LUNA 110 plus EL

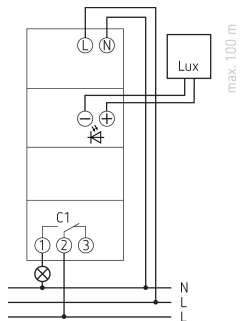
Item no.: 1100900

Technical data

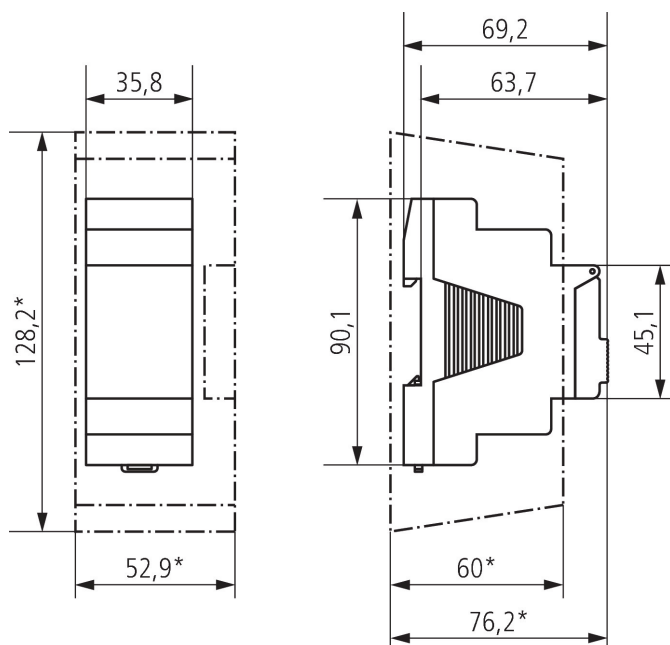
LUNA 110 plus EL	
LED lamp 2-8 W	600 W
LED lamp > 8 W	600 W
Energy saving lamps	270 W
Inrush current	max. 800 A / 200 µs
Sensor (included)	Flush-mounted light sensor

LUNA 110 plus EL	
Housing and insulation material	High-temperature resistant, self-extinguishing thermoplastic
Ambient temperature	-25°C ... 55°C
Type of protection	IP 20
Protection class	II, Sensor III
Max. cable length to sensor	100 m

Connection example



Scale drawings



Subject to technical changes and misprints

additional information at: www.theben.de/product/1100900

The load data are determined with exemplary selected illuminants and are therefore typical data due to the large number of available products.

07/08/2022

Page 2 of 3

LUNA 110 plus EL

Item no.: 1100900

theben

Accessories

Digital surface-mounted light
sensor

Item no.: 9070415



Digital flush-mounted light
sensor

Item no.: 9070456



Subject to technical changes and misprints

additional information at: www.theben.de/product/1100900

The load data are determined with exemplary selected illuminants and are therefore typical data due to the large number of available products.

07/08/2022

Page 3 of 3