

# LUNA 111 top3 AL

Item no.: 1110130

## Time and light control Twilight switches

### Description

- Light level controller
- External light sensor included in delivery
- 1 channel
- External input
- Programming by app possible
- Safe transfer via optional Bluetooth Low Energy OBELISK top3
- Maximum manipulation security, programs can only be transferred from the app to the time switch when the Bluetooth OBELISK top3 is plugged into the device
- Switching brightness digitally adjustable
- Adjustable On and Off switching delay
- Switching brightness and switching delay can be set separately for switching On and Off
- Onscreen display of channel and switching status as well as current lux value
- DuoFix spring terminals
- Zero-cross switching for relay-saving switching and high lamp loads
- Up to 4 sensors can be attached
- Up to 10 devices can be connected to a digital sensor
- Interface for OBELISK top2 memory card (PC programming)
- Extended brightness range
- Permanent switching ON/OFF
- Test function
- Switching preselection
- Display back light (can be turned off)
- PIN coding
- Operating hour counter



### Technical data

LUNA 111 top3 AL	
Operating voltage	110 – 230 V AC
Frequency	50 – 60 Hz
Number of channels	1
External inputs	1
Stand-by consumption	~0.8 W
Setting range brightness	1 – 99000 lx
Preset brightness value	15 lx
Switch-on delay	0 – 59 min
Switch-off delay	0 – 59 min

LUNA 111 top3 AL	
Type of contact	Changeover contact
Width	2 modules
Installation type	DIN rail
Type of connection	DuoFix spring terminals
Display	LCD-Display
Keyboards	4 touch buttons
Switching capacity	16 A at 250 V AC, $\cos \varphi = 1$ , 10 A at 250 V AC, $\cos \varphi = 0.6$
Incandescent/halogen lamp load	2600 W

Subject to technical changes and misprints

additional information at: [www.theben.de/product/1110130](http://www.theben.de/product/1110130)

The load data are determined with exemplary selected illuminants and are therefore typical data due to the large number of available products.

07/08/2022

Page 1 of 3

# LUNA 111 top3 AL

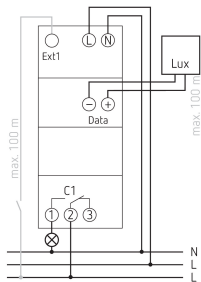
Item no.: 1110130

## Technical data

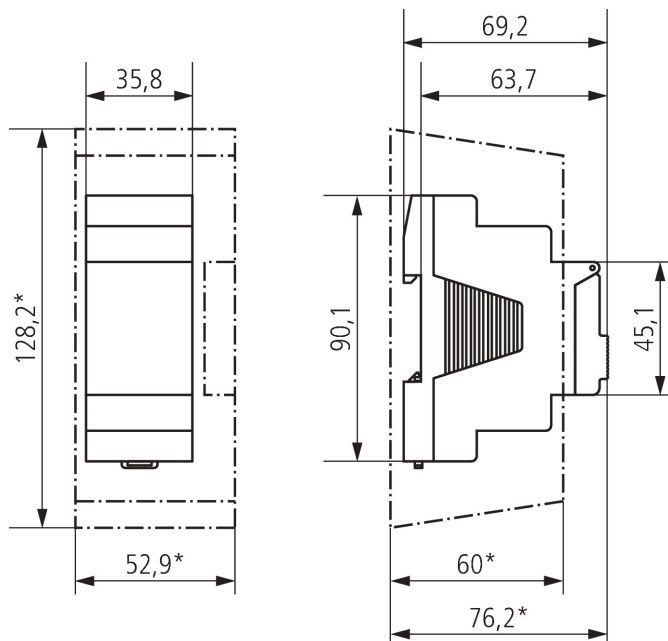
LUNA 111 top3 AL	
Halogen lamp load	2600 W
Fluorescent lamp load (conventional) not corrected	2600 VA
Fluorescent lamp load (conventional) parallel-corrected	130 $\mu$ F
LED lamp < 2 W	50 W
LED lamp 2-8 W	600 W
LED lamp > 8 W	600 W

LUNA 111 top3 AL	
Inrush current	max. 800 A / 200 $\mu$ s
Sensor (included)	Surface-mounted light sensor
Housing and insulation material	High-temperature resistant, self-extinguishing thermoplastic
Ambient temperature	-25°C ... 55°C
Type of protection	IP 20
Protection class	II, Sensor III
Max. cable length to sensor	100 m

## Connection example



## Scale drawings



Subject to technical changes and misprints

additional information at: [www.theben.de/product/1110130](http://www.theben.de/product/1110130)

The load data are determined with exemplary selected illuminants and are therefore typical data due to the large number of available products.

07/08/2022

Page 2 of 3

# LUNA 111 top3 AL

Item no.: 1110130

**theben**

## Accessories

---

Digital surface-mounted light sensor

Item no.: 9070415



PC set OBELISK top2/3

Item no.: 9070409



Memory card OBELISK top2

Item no.: 9070404



Bluetooth OBELISK top3

Item no.: 9070130

