

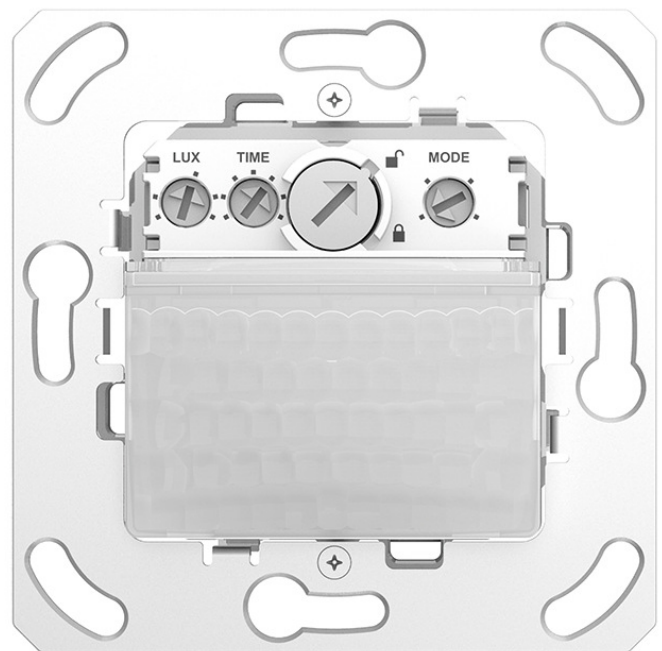
theMura S180-101 B UP

Item no.: 2060755

Präsenzmelder & Bewegungsmelder Wandmontage innen

Description

- Passive infra-red presence detector for wall installation
- Square detection area 170°, 14 x 17 m (238 m²)
- Without frame, adapter frames for common switch ranges available as accessory
- 1 channel light (Relay, 230 V) and 1 channel presence (Relay, floating for HVAC control)
- Fully or semi-automatic operation
- External button can be connected
- Adjustable brightness switching value, teach-in function
- Automatic calibration of brightness measurement
- Switch-on delay configurable
- Short-term presence
- Acoustic function
- Orientation light
- Configurable sensitivity
- External button can be connected
- Staircase light function
- Extension of detection area via master/slave switching
- Ready for immediate use due to factory presetting
- Remote operation with theSenda S, theSenda P, theSenda B
- Mixed light measurement suitable for the control of fluorescent, incandescent, halogen lamps and LEDs
- Integrated button (can be blocked)
- Product design by ID AID



Technical data

theMura S180-101 B UP	
Operating voltage	230 V AC
Frequency	50 – 60 Hz
Installation height	0.8 – 1.2 m
Installation type	Wall installation
Colour	White
Switching output	Light Presence
Power consumption	~0.4 W
Light measurement	Mixed light measurement
Setting range brightness	5 – 3000 lx
Light switch-off delay	10 s - 60 min / Impuls
Lamps	Incandescent / halogen lamps, fluorescent lamps, Energy saving lamps, LEDs
Incandescent / halogen lamp load	2300 W

theMura S180-101 B UP	
Inrush current	max. 600 A / 200 µs
LED lamp < 2 W	40 W
LED lamp 2-8 W	450 W
LED lamp > 8 W	450 W
Switch-on delay presence	0 s – 10 min
Presence switch-off delay	10 s - 120 min
Switching capacity presence	50 W / 50 VA
Type of connection	Spring terminals
Size of concealed housing	Ø 55 mm (NIS, PMI)
Detection range	238 m ² (14 x 17 m)
Detection angle	170°
Ambient temperature	-15°C ... 45°C
Type of protection	IP 20

Subject to technical changes and misprints

additional information at: www.theben.de/product/2060755

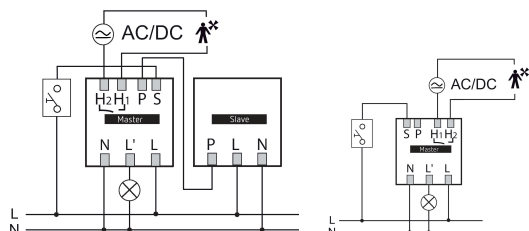
The load data are determined with exemplary selected illuminants and are therefore typical data due to the large number of available products.

theMura S180-101 B UP

Item no.: 2060755

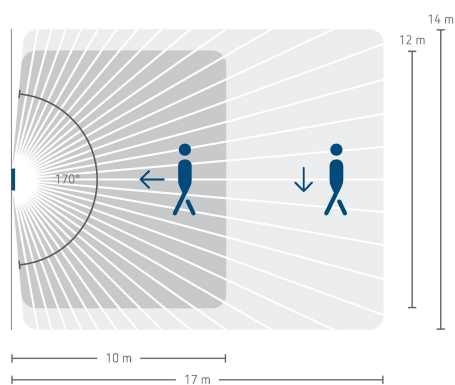
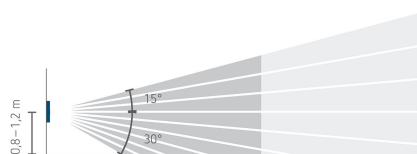


Connection example



Detection range for planning applications at a temperature of 21 °C

Mounting height (A)	Head on to (R)	Diagonally (t)	Sitting (S)
1.2 m	120 m ² 12 m x 10 m	238 m ² 14 m x 17 m	



Subject to technical changes and misprints

additional information at: www.theben.de/product/2060755

The load data are determined with exemplary selected illuminants and are therefore typical data due to the large number of available products.

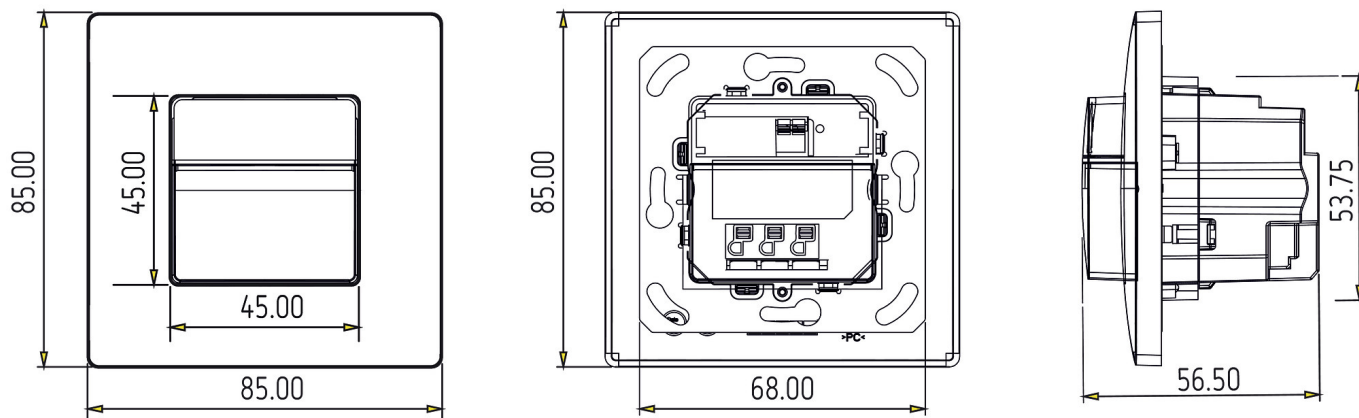
theMura S180-101 B UP

Item no.: 2060755

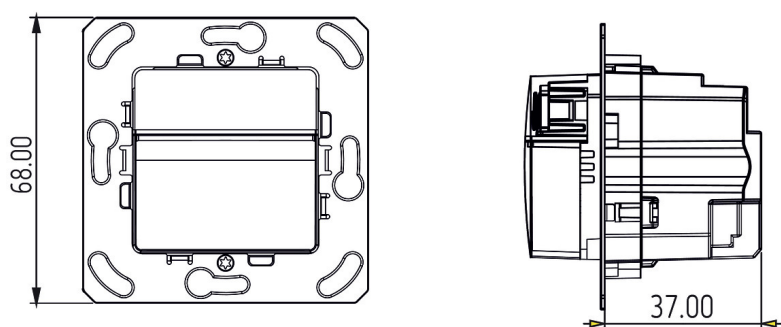
theben

Scale drawings

theMura S180-100 UP WH (2060650) + theMura S180-101 UP WH (2060655)



theMura S180-100 UP (2060750) + theMura S180-101 B UP (2060755)



Accessories

theSenda P
Item no.: 9070910



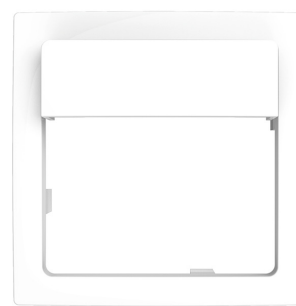
theSenda S
Item no.: 9070911



theSenda B
Item no.: 9070985



Adapter frame 45A BJBSI WH
Item no.: 9070788



Subject to technical changes and misprints

additional information at: www.theben.de/product/2060755

The load data are determined with exemplary selected illuminants and are therefore typical data due to the large number of available products.

theMura S180-101 B UP

Item no.: 2060755



Accessories

Adapter frame 45A MMP WH
Item no.: 9070790



Adapter frame 45A GS WH
Item no.: 9070791



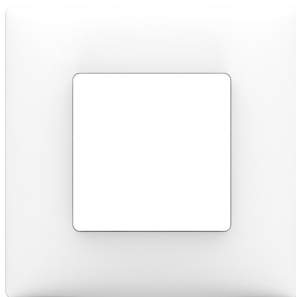
Adapter frame 45A JAS WH
Item no.: 9070789



Adapter frame 45A BS WH
Item no.: 9070792



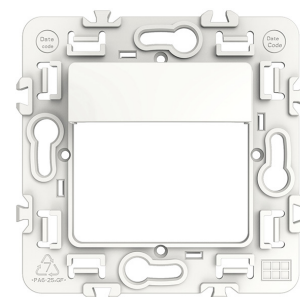
Cover frame theMura Theben WH
Item no.: 9070798



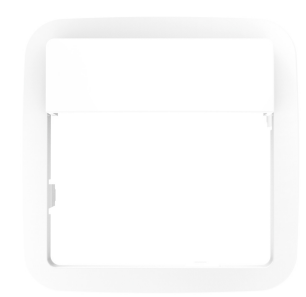
Cover frame theMura FED WH
Item no.: 9070786



Cover frame theMura LM WH
Item no.: 9070787



Adapter frame 45A BJRE WH
Item no.: 9070754



Adapter frame 45A MEMP CL
Item no.: 9080004



Adapter frame 45A GIST CL
Item no.: 9080005



Adapter frame 45A BESI CL
Item no.: 9080006



Adapter frame 45A BJBA CL
Item no.: 9080002



Subject to technical changes and misprints

additional information at: www.theben.de/product/2060755

The load data are determined with exemplary selected illuminants and are therefore typical data due to the large number of available products.

theMura S180-101 B UP

Item no.: 2060755



Accessories

Adapter frame 45A JUAS CL

Item no.: 9080003



Adapter frame 45A BJRE CL

Item no.: 9080001



Adapter frame 45A FEED CL

Item no.: 9080007



Subject to technical changes and misprints

additional information at: www.theben.de/product/2060755

The load data are determined with exemplary selected illuminants and are therefore typical data due to the large number of available products.

11/03/2023

Page 5 of 5