

# theMura S180-100 2W UP WH

Item no.: 2060670

**theben**

Präsenzmelder & Bewegungsmelder  
Wandmontage innen

## Description

- Passive infra-red motion detector for wall installation
- Square detection area 170°, 14 x 17 m (238 m<sup>2</sup>)
- 1 channel light, 2-wire version in combination with an ELPA staircase time switch for switching the lamp loads
- Adjustable brightness switching value, teach-in function
- Ideal for replacing existing buttons
- Switch-on delay configurable on the staircase time switch
- Parallel connection possible (up to 12 detectors towards an ELPA)
- Restriction of detection area possible
- Mixed light measurement suitable for the control of fluorescent, incandescent, halogen lamps and LEDs
- Integrated button (can be blocked)
- Product design by ID AID



## Technical data

theMura S180-100 2W UP WH	
Operating voltage	230 V AC
Frequency	50 – 60 Hz
Installation height	0.8 – 1.2 m
Installation type	Flush-mounted wall installation
Colour	White
Switching output	Light
Power consumption	~0.4 W
Light measurement	Mixed light measurement

theMura S180-100 2W UP WH	
Setting range brightness	5 – 1000 lx
Type of connection	Spring terminals
Size of concealed housing	Ø 55 mm (NIS, PMI)
Detection range	238 m <sup>2</sup> (14 x 17 m)
Detection angle	170°
Ambient temperature	-15°C ... 45°C
Type of protection	IP 20

Subject to technical changes and misprints

additional information at: [www.theben.de/product/2060670](http://www.theben.de/product/2060670)

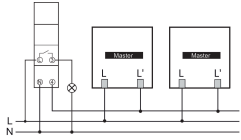
The load data are determined with exemplary selected illuminants and are therefore typical data due to the large number of available products.

# theMura S180-100 2W UP WH

Item no.: 2060670

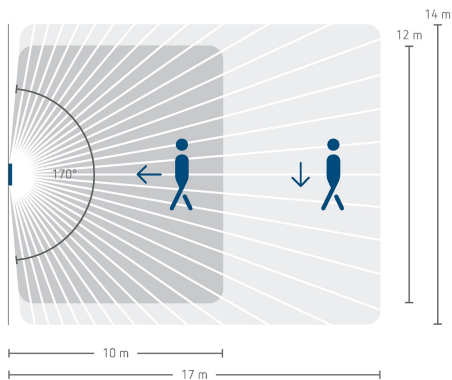
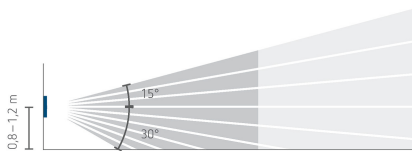


## Connection example



## Detection range for planning applications at a temperature of 21 °C

Mounting height (A)	Head on to (R)	Diagonally (t)	Sitting (S)
1.2 m	120 m <sup>2</sup>   12 m x 10 m	238 m <sup>2</sup>   14 m x 17 m	



Subject to technical changes and misprints

additional information at: [www.theben.de/product/2060670](http://www.theben.de/product/2060670)

The load data are determined with exemplary selected illuminants and are therefore typical data due to the large number of available products.

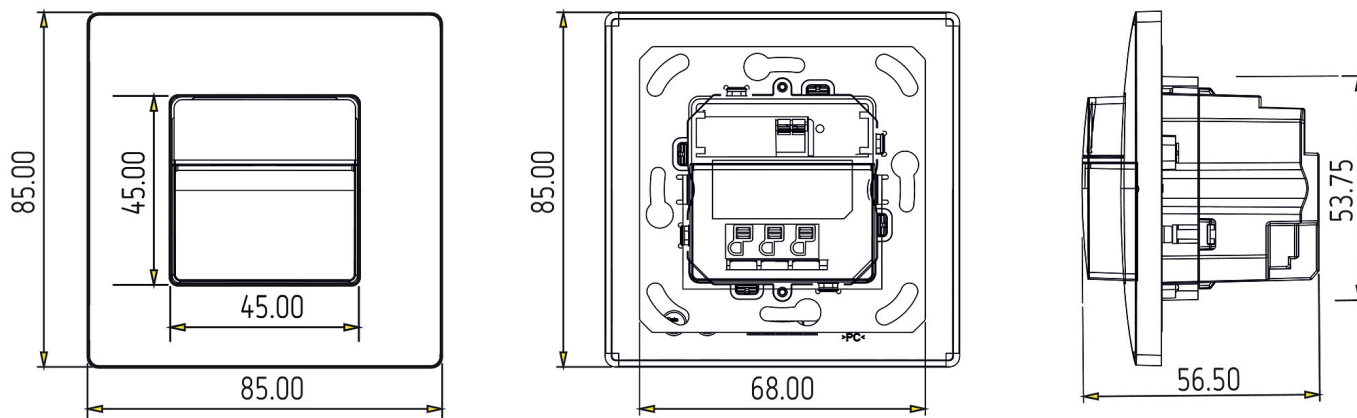
# theMura S180-100 2W UP WH

Item no.: 2060670

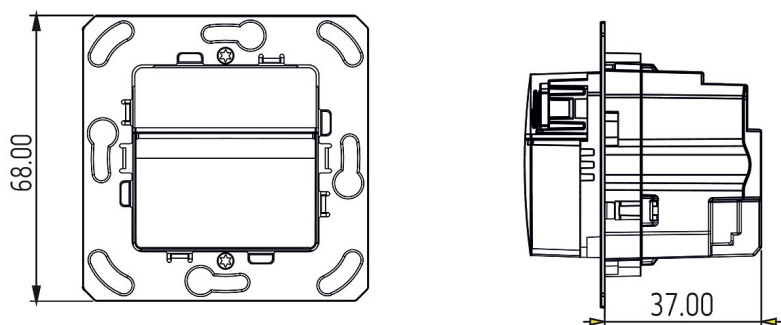


## Scale drawings

theMura S180-100 UP WH (2060650) + theMura S180-101 UP WH (2060655)



theMura S180-100 UP (2060750) + theMura S180-101 B UP (2060755)



Subject to technical changes and misprints

additional information at: [www.theben.de/product/2060670](http://www.theben.de/product/2060670)

The load data are determined with exemplary selected illuminants and are therefore typical data due to the large number of available products.

19/01/2023

Page 3 of 3