

# theLeda S17-100L WH

Item no.: 1020602

# theben

LED-Leuchten

LED-Leuchten ohne Bewegungsmelder

## Description

- LED spotlight with 17 W
- Colour temperature 4000 K
- Wall mounting
- Spotlight can be swivelled  $\pm 20/45^\circ$  horizontally, and adjusted  $70^\circ$  downwards
- Suitable for outdoor use
- Networkable via wire

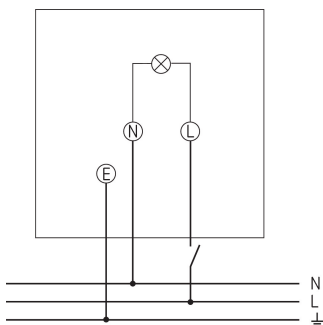


## Technical data

| theLeda S17-100L WH           |                          |
|-------------------------------|--------------------------|
| Operating voltage             | 230 V AC                 |
| Frequency                     | 50 Hz                    |
| Stand-by consumption          | ~0.5 W                   |
| Colour                        | White (similar RAL 9010) |
| Switching output              | Light                    |
| Installation type             | Wall installation        |
| LED output (lighting current) | 2 x 900 lm               |
| Colour temperature            | 4000 K, neutral white    |

| theLeda S17-100L WH    |   |
|------------------------|---|
| Colour rendering index | < 80                                    |
| Service life           | L80/B10/45.000 h   L70/<br>B50/50.000 h |
| Installation height    | 1.8 – 2.5 m                             |
| Ambient temperature    | -20°C ... 55°C                          |
| Protection class       | II                                      |
| Type of protection     | IP 55                                   |

## Connection example



Subject to technical changes and misprints

additional information at: [www.theben.de/product/1020602](http://www.theben.de/product/1020602)

The load data are determined with exemplary selected illuminants and are therefore typical data due to the large number of available products.

09/03/2023

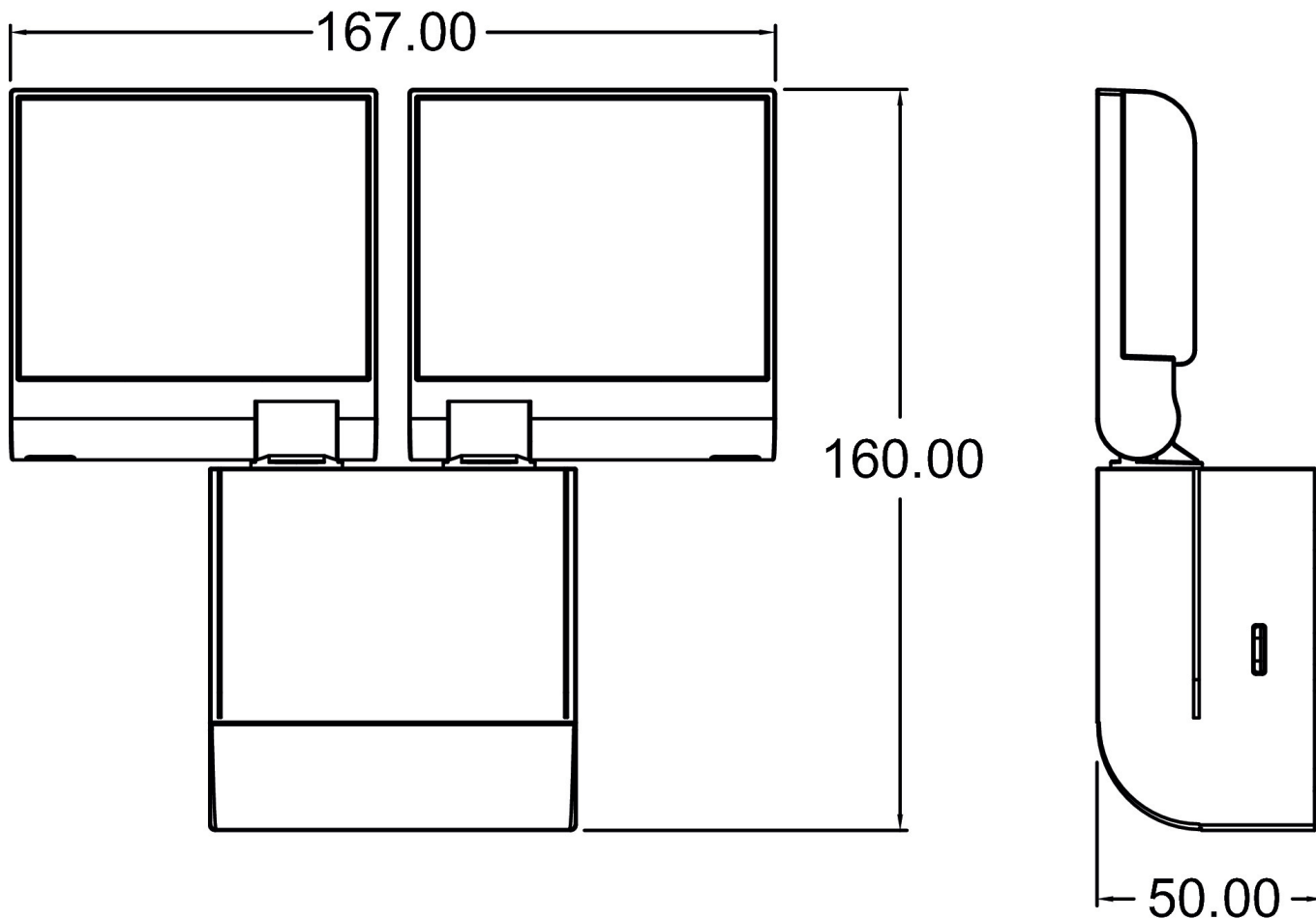
Page 1 of 2

# theLeda S17-100L WH

Item no.: 1020602

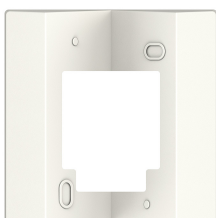
**theben**

## Scale drawings



## Accessories

Corner angle 10 WH  
Item no.: 9070969



Spacer 10 WH  
Item no.: 9070971



Subject to technical changes and misprints

additional information at: [www.theben.de/product/1020602](http://www.theben.de/product/1020602)

The load data are determined with exemplary selected illuminants and are therefore typical data due to the large number of available products.